



**SPECIFICATIONS**

<b>Job Name:</b>		<b>Location:</b>	
<b>Contractor:</b>		<b>Engineer:</b>	
<b>Submitted by:</b>		<b>Reference:</b>	<b>Approval:</b>
<b>Phone:</b>		<b>Email:</b>	
<b>Unit designation:</b>	<b>Model number:</b>	<b>Qty:</b>	

**GRAND CHEF serie**

Chimney style range hood,  
wall installation

**Model: DIRC-WA0575**



**FEATURES**

BODY MATERIAL

Brushed ss430

FILTER

2 x aluminium filters, dishwasher friendly

MOTOR

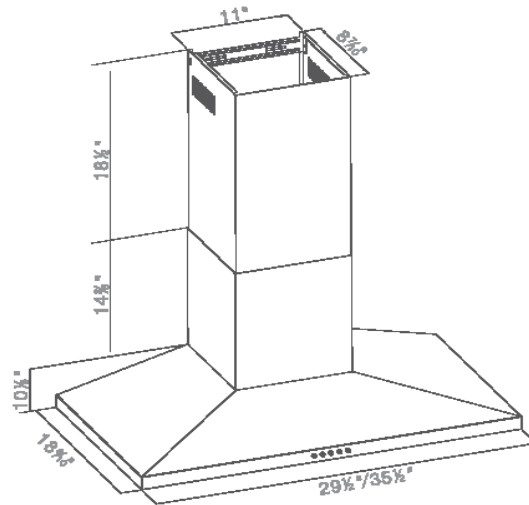
3 speed fan motor, permanently split capacitor  
Mechanical speed control

LIGHT

2 x LED lights, at the front

DIMENSIONS

29-1/2" Wide x 18-1/2" deep x 10-1/2" High



<b>PERFORMANCE</b>					
Speed	Air flow (cfm)		Noise level (sone)	Power (w)	Amps (A)
	0.0 sp	0.1 sp			
High	350	329	7.6	120	1,1
Low	181	208	3.6		