

# KITCHEN



## RANGE HOODS





# DESIGNS

## FOR ALL

Direct Air offers range hoods with performance and modern styling that are adapted to any type of installation; Island, Under Cabinet, Wall Mount or Insert. Whether you are seeking power, quiet operation, use over a gas range, easy cleaning or great appeal - you will find a model to suite your needs. The quality of our range hoods are undeniable and we support this with a 5 year limited warranty. A Direct Air range hood offers the best cost-features ratio you can find.



# SELECT

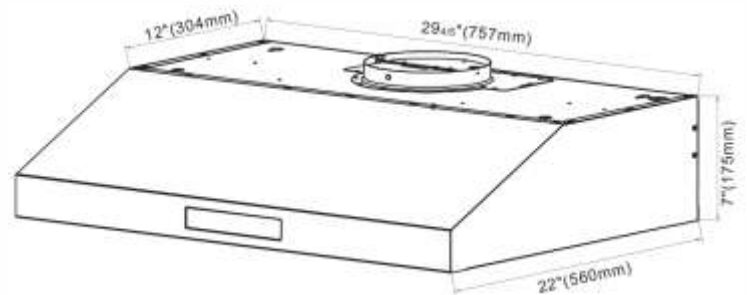
SERIES

**B1076T**

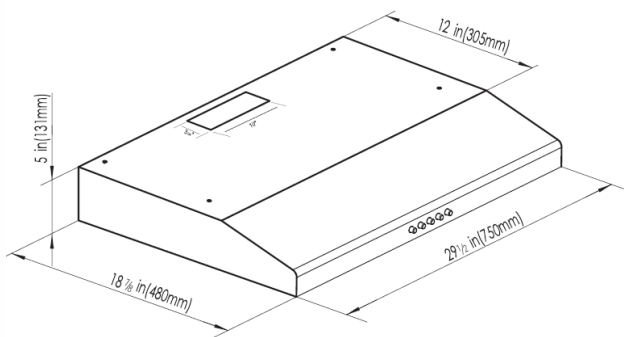


## TECHNICAL SPECIFICATIONS

- 430 Brushed stainless steel
- Under cabinet mount
- Up to 500 cfm
- 6 Speed electronic control with time display
- 2 Stainless steel deflector filters
- 2 LED lights
- Dimensions: 7" x 22" x 29-3/4"



# SELECT SERIES B1176



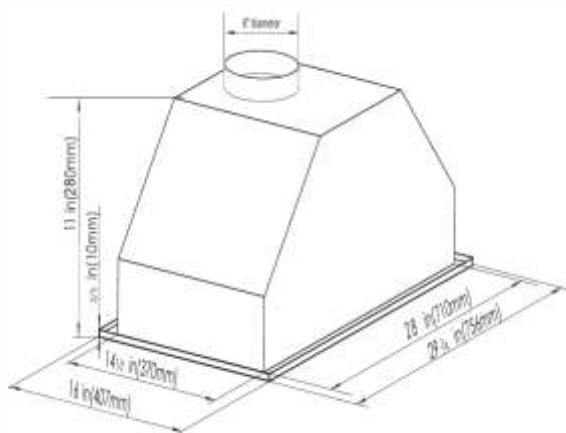
## TECHNICAL SPECIFICATIONS

- 430 Brushed stainless steel
- Under cabinet mount
- Up to 250 cfm
- 3 Speed push button control
- 2 Aluminium washable filters
- 2 LED lights
- Dimensions: 5" x 18-7/8" x 29-1/2"



# EVOLUTION SERIES

**F1175**



## TECHNICAL SPECIFICATIONS

- 430 Brushed stainless steel
- Flush mount
- Up to 480 cfm
- 3 Speed push button control
- 2 Stainless steel deflector filters
- 2 LED lights
- Dimensions: 11" x 18" x 29-3/4"

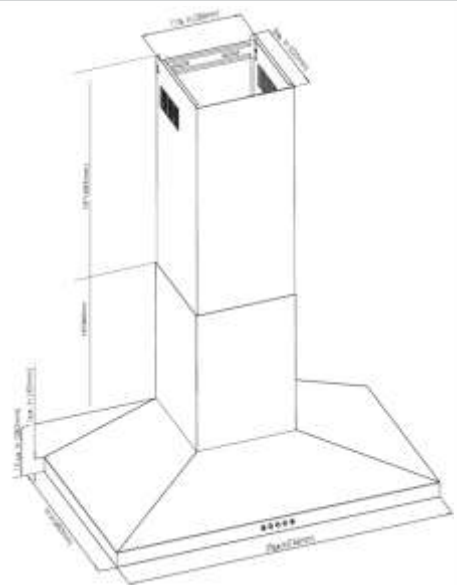
# GRAND CHEF SERIES

**WA0575**



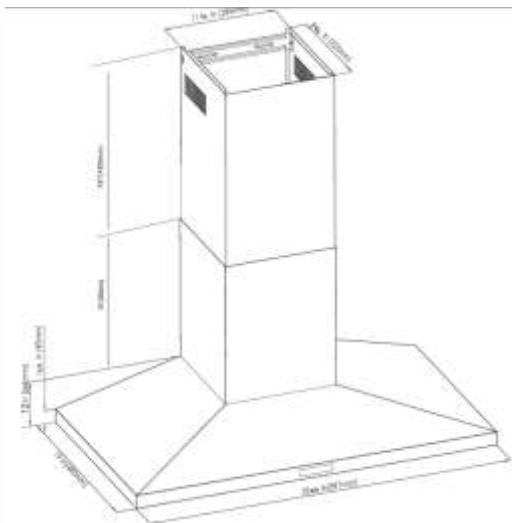
## TECHNICAL SPECIFICATIONS

- 430 Brushed stainless steel
- Wall mount
- Up to 350 cfm
- 3 Speed push button control
- 2 Aluminium washable filters
- 2 LED lights
- Dimensions: Hood: 10-1/2" x 18-1/2" x 29-1/2"





# GRAND CHEF SERIES WA0675



## TECHNICAL SPECIFICATIONS

- 430 Brushed stainless steel
- Wall mount
- Up to 500 cfm
- 3 Speed electronic control with time display
- 3 vitesses avec affichage de l'heure
- Remote Control
- 2 Stainless steel deflector filters
- 2 LED lights
- Dimensions: Hood: 10-1/2" x 18-1/2" x 29-1/2"



# GRAND CHEF SERIES IA0190



## TECHNICAL SPECIFICATIONS

- 430 Brushed stainless steel
- Island mount
- Up to 500 cfm
- 3 Speed electronic control with time display
- Remote Control
- 6 Stainless steel deflector filters
- Filter Cleaning Indicator
- 3 LED lights
- Dimensions: Hood: 12-1/2" x 23-1/2" x 35-1/2"



# DIRECT AIR

[www.directairhvac.com](http://www.directairhvac.com)

## Limited warranty RANGE HOODS

Direct Air range hoods have a 5 year warranty on the motor and one year on parts. Light bulbs are not covered by this warranty.

**powrmatic**

[www.powrmatic.ca](http://www.powrmatic.ca)

To find the nearest dealer, please contact your local Powrmatic branch.

■ **Montréal**

9500, boul. Ray-Lawson  
Anjou, Qc, H1J 1L1  
Tel.: 514.493.6400  
Fax: 514.493.8722  
[montreal@powrmatic.ca](mailto:montreal@powrmatic.ca)

■ **Québec**

385, Fortin  
Ville-Vanier, Qc, G1M 1B2  
Tel.: 418.683.2708  
Fax: 418.683.8860  
[quebec@powrmatic.ca](mailto:quebec@powrmatic.ca)

■ **Ottawa**

1412, Star Top Rd.  
Gloucester, ON, K1B 4V7  
Tel.: 613.230.7160  
Fax: 613.230.0685  
[ottawa@powrmatic.ca](mailto:ottawa@powrmatic.ca)

■ **Toronto**

111, Staffern Drive  
Concord, On, L4K 2R2  
Tel.: 905.660.0033  
Fax: 905.660.8881  
[toronto@powrmatic.ca](mailto:toronto@powrmatic.ca)

■ **London**

1064, Hargrieve Road  
London, On, N6E 1P5  
Tel.: 519.675.1491  
Fax: 519.675.4725  
[london@powrmatic.ca](mailto:london@powrmatic.ca)

■ **Halifax**

100, Wright Ave.  
Dartmouth, NS, B3B 1L2  
Tel.: 902.454.8684  
Fax: 902.453.5875  
[halifax@powrmatic.ca](mailto:halifax@powrmatic.ca)

Retailer