



SUBMITTAL DATA SHEET

Job Name : _____ **Location:** _____

Purchaser: _____ **Engineer:** _____

Submitted to: _____ **Reference:** _____ **Approval:** _____

Phone: _____ **Email:** _____

Model No.	DIR-09HP17	DIR-12HP17	DIR-18HP17	DIR-24HP17
Unit designation				
Type	INVERTER			

PerformanceData

Cooling Capacity	Btu/h	9 000	12000	18 000	24 000
Heating Capacity	Btu/h	9 500	13000	20 000	24 500
Cooling Capacity Range	Btu/h	1200-10000	2500-13500	6500-19500	8000-26500
Heating Capacity Range	Btu/h	1200-10000	2500-14500	6000-21500	8000-26500
Rated Input-Cooling	W	810	1200	1700	2290
Rated Input-Heating	W	810	1200	2000	2280
SEER	Cooling	19,3	17,9	17,6	17,6
HSPF	Heating	10,5	9,35	10,1	9,8
EER for Cooling	Btu/W	11,11	10,00	10,59	10,48
COP for Heating	Btu/W	11,73	10,83	10,00	10,75
Moisture Removal	L/H.r	0,9	1,2	2,0	2,4
Air Circulation	m3/h	550	620	1000	1150
Refrigerant		R410A	R410A	R410A	R410A
Refrigerant charge volume	g	810	1000	1400	1630
Indoor Sound Pressure (H/M/L/silence)	dB (A)	39/36/33	40/36/33	45/43/38/35	48/45/40/36
Outdoor Sound pressure	dB (A)	53	54	56	58
Airflow Indoor Unit (S/H/M/L)	m3/h	680/580/480/380	700/645/596/469	1005/901/750/580	1080/980/820/650
Airflow Outdoor Unit (S/H/M/L)	CFM	1600	1600	2000	2800
Voltage, Frequency, Phase	V	115V~,60Hz,1P	115V~,60Hz,1P		
Rated Current	Cooling (A)	7,4	10,8	7,6	10,5
	Heating (A)	7,4	10,8	9,0	10,4
Current Range	Cooling (A)	2,0-12	2,5-15	1,8-12	2,0-13
	Heating (A)	2,0-12	2,5-15	1,8-12	2,0-13

System Data

Compressor type		Rotary	Rotary	Rotary	Rotary
Compressor MFG		Hitachi	GMCC	GMCC	GMCC
Compressor Model #		capillary	capillary	ATM150D43UFZ	ATF235D22UMT
Expansion Device		ASD088RKQA6JT6	ASN108D32UFZ	Capillary	Capillary
Indoor DC motor		No	No	No	Yes
Indoor motor MFG		Weiling	Weiling	Broad-ocean	Broad-ocean
Indoor motor model #		DG13G1-17(E)	DG13G1-17(E)	DG13G2-08	K1B310497
Indoor motor power output	W	39	39	35	35
Indoor motor speed	S/H/M/L/Mutter	1250/1100/950	1250/1100/950	1150/990/830	1100/960/800
Outdoor DC motor		YES	YES	No	No
Outdoor motor MFG		WOLONG	WOLONG	Broad-ocean	Broad-ocean
Outdoor motor model #		K1B310359	K1B310359	DG13Z1-77	DG13Z2-21
Outdoor motor power output	W	41	41	41	61
Indoor motor speed	H/M/L	850/600/450	850/600/450	910	840

Evaporator specs

Evaporator material		Copper tube and Aluminum Fin			
Number of rows		2	2	2	2
Tube outside dia.and type	mm	Φ7,innergroove tube	Φ7,innergroove tube	Φ7,innergroove tube	Φ7,innergroove tube
Evaporator length x height x width	mm	550x 294x27.2	620x294x27.2	705x378x27.2	842x378x27.2
Tube pitch(a)x row pitch(b)	mm	21x13.6	21x13.6	21x13.6	21x13.6
Fin spacing	mm	1,4	1,4	1,4	1,4

*Due to Direct Air's policy of continuous product improvement specifications are subject to change without notice



SUBMITTAL DATA SHEET

Condenser specs

Condenser material		Copper tube and Aluminum Fin			
Number of rows		1.5	2	2	2
Tube outside dia.and type	mm	φ7 innergroove tube	φ7 innergroove tube	φ7 innergroove tube	φ7 innergroove tube
f.Condensor length x height x width	mm	(695+400) x462x36.4	695x462x36.4	(842+813)x546x36.4	842x378x27.2
Tube pitch(a)x row pitch(b)	mm	21x18.19	21x18.19	21x18.19	21x13.6
Fin spacing	mm	1.4	1,4	1.4	1,4
Connecting Pipe Diameter					
Liquid Pipe	inch	1/4	1/4	1/4	3/8
Gas Pipe	inch	3/8	3/8	1/2	5/8

Others (units dimensions & weight)

Net Dimensions WxHxD	Indoor Unit mm	745x270x214	815x270x214	915x315x236	1085x315x236
	Indoor Unit in	29 5/16x10 5/8x8 7/16	32 1/16x10 5/8x8 7/16	36x12 3/8x9 5/16	42 3/4x12 3/8x9 5/16
	Outdoor Unit mm	715x482x240	715x482x240	810x585x280	860x650x310
Net Weight (Kg)	Indoor Unit	8,5	9,0	12,5	15
	Outdoor Unit	25,0	27,0	39	50
	Indoor Unit mm	800x335x265	870x335x265	1000x390x315	1170x390x315
Packing Dimensions WxHxD	Indoor Unit in	31 1/2x13 3/16x10 7/16	34 1/4x13 3/16x10 7/16	39 3/8x15 3/8x12 3/8	46 1/16x15 3/8x12 7/16
	Outdoor Unit mm	830x530x340	830x530x340	940x640x385	995x730x445
	Outdoor Unit in	32 11/16x20 7/8x13 3/8	32 11/16x20 7/8x13 3/8	37x25 3/16x15 3/16	39 3/16x28 3/4x17 1/2
Gross Weight (Kg)	Indoor Unit	10,0	11,0	14,5	17,0
	Outdoor Unit	27	30	42	54,0
Test Standard		ARI 210-240	ARI 210-240	ARI 210-240	ARI 210-240
Approvals		ETL/AHRI	ETL/AHRI	ETL/AHRI	ETL/AHRI

Features

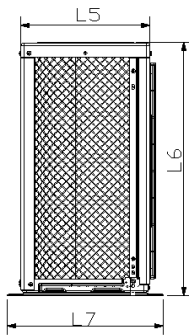
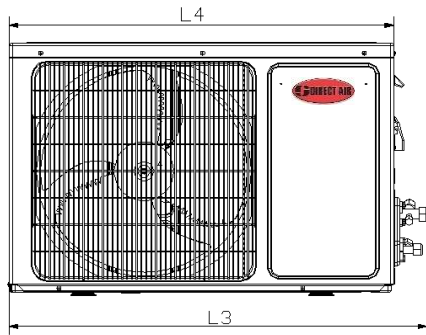
LED Display on Front Panel	Yes	Yes	Yes	Yes
LED Dimmer	Yes	Yes	Yes	Yes
7 Indoor Fan Speed	Yes	Yes	Yes	Yes
LCD Wireless Remote Controller	Yes	Yes	Yes	Yes
"I feel" in remote controller	Yes	Yes	Yes	Yes
Back lighting remote controller	Yes	Yes	Yes	Yes
-20°C (5°F) Heating	Yes	Yes	Yes	Yes
-15°C (5°F) Cooling	-15°C-46°C; (5°F-115°F)	-15°C-46°C; (5°F-115°F)	No	No
Working Temperature Range - Cooling (°C/°F)	-20°C-24°C; (-4°F-75°F)	-20°C-24°C; (-4°F-75°F)	0°C-46°C; (32°F-115°F)	0°C-46°C; (32°F-115°F)
Working Temperature Range - Heating (°C/°F)	16°C-30°C; (61°F-86°F)	16°C-30°C; (61°F-86°F)	-20°C-24°C; (-4°F-75°F)	-20°C-24°C; (-4°F-75°F)
Remote Control Adjustable Temperature Range - Cooling	16°C-30°C; (61°F-86°F)	16°C-30°C; (61°F-86°F)	16°C-30°C; (61°F-86°F)	16°C-30°C; (61°F-86°F)
Remote Control Adjustable Temperature Range - Heating	16°C-30°C; (61°F-86°F)	16°C-30°C; (61°F-86°F)	16°C-30°C; (61°F-86°F)	16°C-30°C; (61°F-86°F)
8°C (46°F) Heating to avoid freezing water pipe in Kitchen	Yes	Yes	Yes	Yes
°C & °F convertible	Yes	Yes	Yes	Yes
2 Ways Draining Connection (Left or Right)	Yes	Yes	Yes	Yes
Compressor Intelligent Pre-heating	Yes	Yes	Yes	Yes
Smart Function	Yes	Yes	Yes	Yes
Super Function	Yes	Yes	Yes	Yes
Auto Restart	Yes	Yes	Yes	Yes
Auto Defrost	Yes	Yes	Yes	Yes
Auto Cleaning	Yes	Yes	Yes	Yes
Quiet Mode	Yes	Yes	Yes	Yes
24 Hours Timer	Yes	Yes	Yes	Yes
Removable and washable Panel	Yes	Yes	Yes	Yes
Louver Postion Memory	Yes	Yes	Yes	Yes
Washable High Definition Filter	Yes	Yes	Yes	Yes
Horizontal Auto Swing Louver	Yes	Yes	Yes	Yes
Chassis Electric heater function	Yes	Yes	Yes	Yes
Healthy Filter(catechins,VC,HEPA,jasmine aroma filter)	Optional	Optional	Optional	Optional
WIFI control	Optional	Optional	Optional	Optional
Wired control	Optional	Optional	Optional	Optional

*Due to Direct Air's policy of continous product improvement specifications are subject to change without notice

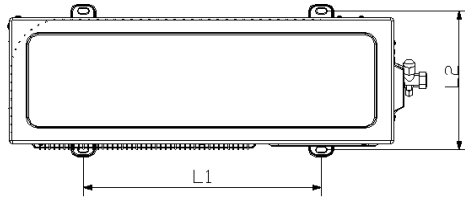


SUBMITTAL DATA SHEET

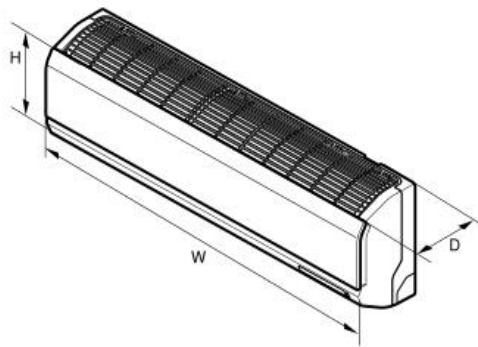
CONDENSING UNIT



Dimensions				
Cap (btu)	9K	12K	18K	24K
L1	443	443	510	542
L2	264	264	310	341
L3	776	776	873	935
L4	715	715	810	860
L5	240	240	280	310
L6	486	486	585	667
L7	290	290	338	368



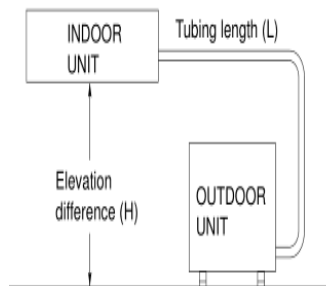
EVAPORATOR



Dimensions mm (WxHxD)	
9K	745x270x214
12k	815x270x214
18k	915x315x236
24K	1085x315x236



LINE SET INFO'S

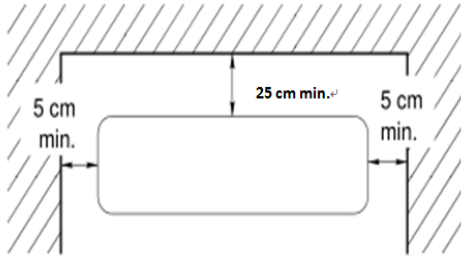


Capacity (btu)	Pipe Size		Standard length (m/f)	Max.	Max.	Additional refig. (m/g)
	GAS	LIQUID		elevation (H) (m/f)	Length (L) (m/f)	
9k/12k	3/8" (Ø9.52)	1/4" (Ø6.35)	7.5/25	15/50	15/50	20
18k	1/2" (Ø12.7)	1/4" (Ø6.35)	7.5/25	15/50	30/100	20
24k	5/8" (Ø15.88)	3/8" (Ø9.52)	7.5/25	15/50	30/100	30

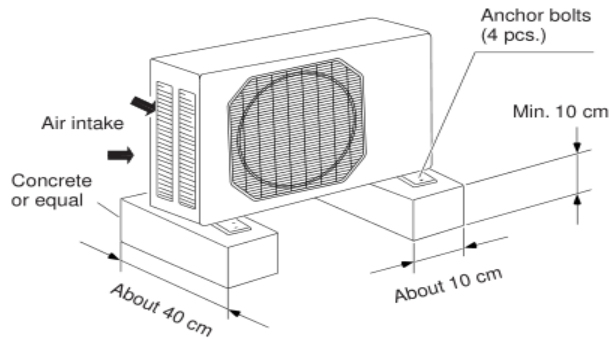
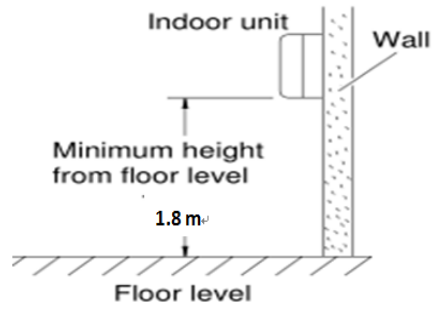
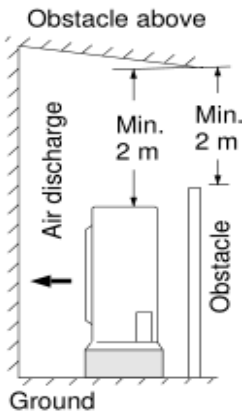
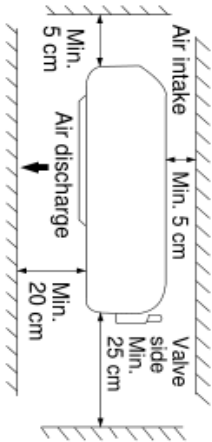
*Due to Direct Air's policy of continuous product improvement specifications are subject to change without notice



CLEARANCES



Front View



*Due to Direct Air's policy of continuous product improvement specifications are subject to change without notice