



---

**PELLET**  
STOVES & INSERTS

# Enviro

HEARTH PRODUCTS



## Designed to heat. Built to Last.

For over 30 years, unsurpassed quality and craftsmanship have made us an industry leader in innovative heating systems. Design, functionality, and efficiency merge to create exceptional products that will exceed all expectations. Whether time-honored traditional or bold and modern, our dynamic range of products will compliment any home décor. With a complete line of inserts, stoves, and multi-fuel heaters, we have the perfect solution for your heating requirements. We won't just meet your expectations; we'll exceed them...

### Design Features

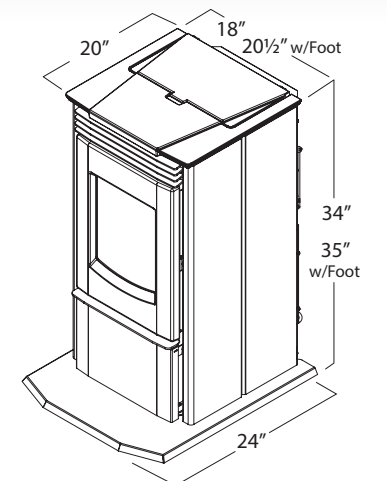
- LED digital controls
- "Comfort level" control system
- "Run Quiet" system
- Large viewing area (130 in<sup>2</sup>)
- Large ash pan
- Comes standard with igniter
- Tri-mode enabled thermostat
- Heavy duty heat exchanger
- 130 CFM variable speed fan
- Painted black side panels - standard



### Stove Details

BTU Max Input	30,000 BTU		
Heating Area	1,200 ft <sup>2</sup>		
Efficiency	80%*		
Glass Size	130 in <sup>2</sup>		
EPA Emissions	0.48 g/hr		
Hopper Capacity	62 lbs		
Stove Dimensions	HEIGHT 34"	WIDTH 20½"	DEPTH 24"

\*80% with optional Top Vent Adapter Kit (50-4116)



P3 Freestanding Pellet Stove





Mini Freestanding Pellet Stove



Meridian Freestanding Pellet Stove, Optional Log Set

### Design Features

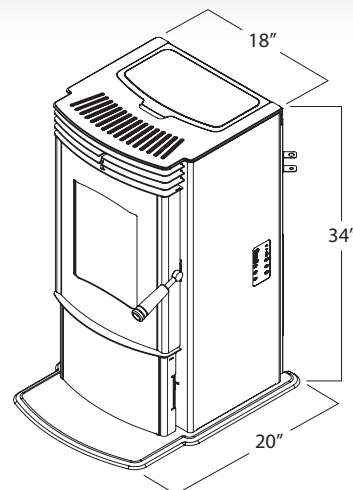
- Automatic controls
- "Run Quiet" system
- Large viewing area (130 in<sup>2</sup>)
- Large ash pan
- Comes with a bolt-on hearth pad
- Comes standard with igniter
- Tri-mode enabled thermostat
- Large heat exchanger
- Leveling Legs
- 130 CFM variable speed fan



### Stove Details

BTU Max Input	30,000 BTU		
Heating Area	1,200 ft <sup>2</sup>		
Efficiency	80%		
Glass Size	14"h x 9.6"w		
EPA Emissions	0.54 g/hr		
Hopper Capacity	48 lbs		
Stove Dimensions	HEIGHT 34"	WIDTH 18"	DEPTH 20"

\*80% with optional Top Vent Adapter Kit (50-4116)



### Design Features

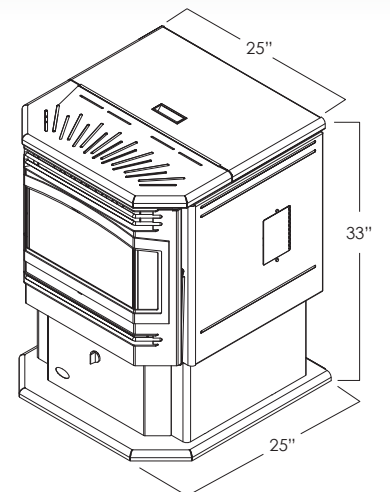
- Large glass size (185 in<sup>2</sup>)
- Large arched bay door
- Tri-mode enabled thermostat
- Remote thermostat compatible
- Large heat exchanger
- Large, full -pedestal ash pan
- 160 CFM variable speed fan
- Optional log set



### Stove Details

BTU Max Input	45,000 BTU		
Heating Area	2,000 ft <sup>2</sup>		
Efficiency	75%*		
Glass Size	Front: 9"h x 2 5/8"w Sides: 9"h x 15 3/8"w		
EPA Emissions	1.84 g/hr		
Hopper Capacity	55 lbs		
Stove Dimensions	HEIGHT 33"	WIDTH 25"	DEPTH 25"

\*75% with optional Top Vent Adapter Kit (50-4117)





Meridian Cast Iron Freestanding Pellet Stove, Optional Log Set



M55 Cast Iron Freestanding Multi-Fuel Pellet Stove, Painted Black

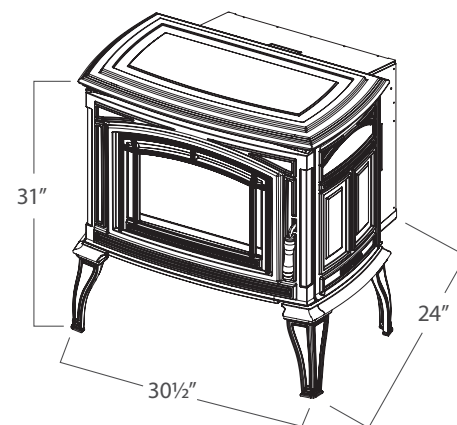
### Design Features

- Cast iron construction
- Tri-mode enabled thermostat
- Remote thermostat compatible
- Large heat exchanger
- 160 CFM variable speed fan
- Large Hopper
- Walnut Handle
- Optional log set



### Stove Details

BTU Max Input	45,000 BTU		
Heating Area	2,000 ft <sup>2</sup>		
Efficiency	75%*		
Glass Size	9"h x 15 <sup>3</sup> / <sub>8</sub> "w		
EPA Emissions	1.84 g/hr		
Hopper Capacity	51 lbs		
Stove Dimensions	HEIGHT 31"	WIDTH 30 <sup>1</sup> / <sub>2</sub> "	DEPTH 24"



\*75% with optional Top Vent Adapter Kit (50-4117)

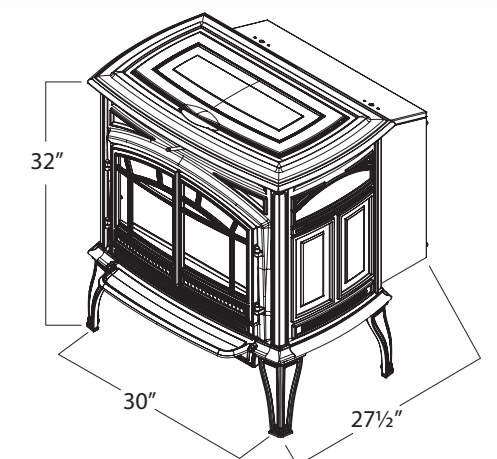
### Design Features

- Cast iron construction
- Tri-mode enabled thermostat
- Large glass size (231 in<sup>2</sup>)
- Large hopper capacity (60 lbs)
- Optional brick liner
- Optional log set
- 300 CFM variable speed fan
- Operates with cast doors open or closed
- Available in Painted Black



### Stove Details

BTU Max Input	55,000 BTU		
Heating Area	2,500 ft <sup>2</sup>		
Efficiency	78%*		
Glass Size	231 in <sup>2</sup>		
EPA Emissions	1.9 g/hr		
Hopper Capacity	60 lbs		
Stove Dimensions	HEIGHT 32"	WIDTH 30"	DEPTH 27 <sup>1</sup> / <sub>2</sub> "



\*78% with optional Top Vent Adapter Kit (50-4160)



M55 Steel Freestanding Multi-Fuel Pellet Stove



MAXX Freestanding Pellet Stove

### Design Features

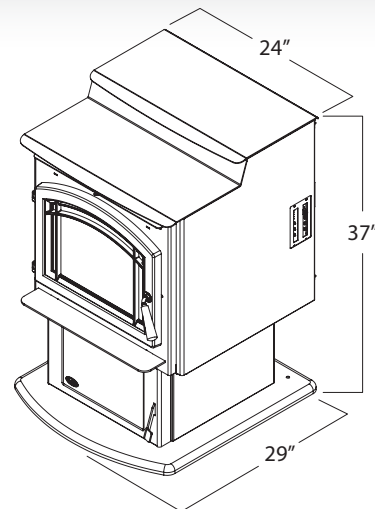
- Large Glass Size (169 in<sup>2</sup>)
- Huge 80 lbs hopper capacity
- Fluted cast iron firebox liner
- Remote thermostat compatible
- Tri-mode enabled thermostat
- Large, full-pedestal ash pan
- Optional brick liner & log set
- Optional wooden door handle
- Optional hopper extension kit (120lbs)
- 300 CFM variable speed fan



### Stove Details

BTU Max Input	55,000 BTU		
Heating Area	2,500 ft <sup>2</sup>		
Efficiency	78%*		
Glass Size	169 in <sup>2</sup>		
EPA Emissions	1.9 g/hr		
Hopper Capacity	80 lbs		
Stove Dimensions	HEIGHT 37"	WIDTH 24"	DEPTH 29"

\*78% with optional Top Vent Adapter Kit (50-4160)



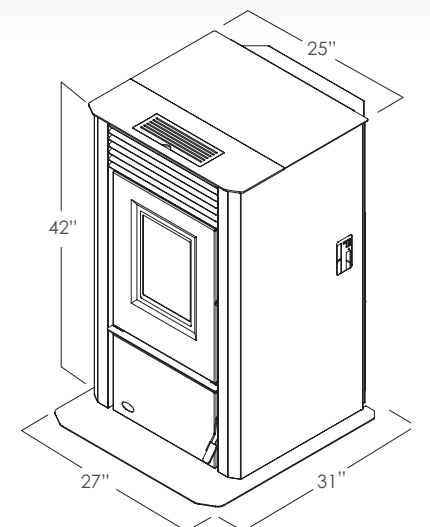
### Design Features

- Tri-mode operating system
- Large 1,320 in<sup>2</sup> heat exchanger
- Dual chamber ash pan removal
- Automatic controls
- Remote thermostat compatible
- Massive 130 lbs hopper capacity
- Tri-mode enabled thermostat
- 455 CFM variable speed fan



### Stove Details

BTU Max Input	60,000 BTU		
Heating Area	2,700 ft <sup>2</sup>		
Efficiency	77.4%		
Glass Size	117 in <sup>2</sup>		
EPA Emissions	1.87 g/hr		
Hopper Capacity	130 lbs		
Stove Dimensions	HEIGHT 42"	WIDTH 27"	DEPTH 31"



## Stove Performance Specifications

ATTRIBUTES	P3	MINI	MERIDIAN STEEL	MERIDIAN CAST IRON	M55 CAST IRON	M55 STEEL	MAXX
BTU Max Input	30,000	30,000	45,000	45,000	55,000	55,000	60,000
Heating Area	1,200 ft <sup>2</sup>	1,200 ft <sup>2</sup>	2,000 ft <sup>2</sup>	2,000 ft <sup>2</sup>	2,500 ft <sup>2</sup>	2,500 ft <sup>2</sup>	2,700 ft <sup>2</sup>
Efficiency	80%*	80%*	75%*	75%*	78%*	78%*	77.4%
Glass Size	14"h x 9 <sup>5</sup> / <sub>8</sub> "w	14"h x 9.6"w	Front: 9"h x 2 <sup>5</sup> / <sub>8</sub> "w Sides: 9"h x 15 <sup>3</sup> / <sub>8</sub> "w	9"h x 15 <sup>3</sup> / <sub>8</sub> "w	231 in <sup>2</sup>	169 in <sup>2</sup>	117 in <sup>2</sup>
EPA Emissions	0.54 g/hr	0.54 g/hr	1.84 g/hr	1.84 g/hr	1.9 g/hr	1.9 g/hr	1.87 g/hr
Hopper Capacity	62 lbs	48 lbs	55 lbs	51 lbs	60 lbs	80 lbs	130 lbs
Convection Fan	130 CFM	130 CFM	160 CFM	160 CFM	300 CFM	300 CFM	455 CFM

\*with optional Top Vent Adapter Kit

## Stove Dimensions\*

ATTRIBUTES	P3	MINI	MERIDIAN STEEL	MERIDIAN CAST IRON	M55 CAST IRON	M55 STEEL	MAXX
Stove Height	34"	34"	33"	31"	32"	37"	42"
Stove Width	20 <sup>1</sup> / <sub>2</sub> "	18"	25"	30 <sup>1</sup> / <sub>2</sub> "	30"	24"	27"
Stove Depth	24"	20"	25"	24"	27 <sup>1</sup> / <sub>2</sub> "	29"	31"

## Clearance to Combustibles\*

ATTRIBUTES	P3	MINI	MERIDIAN STEEL	MERIDIAN CAST IRON	M55 CAST IRON	M55 STEEL	MAXX
Min. distance to the stove's sides	8"	8"	6"	6"	6"	12"	12"
Min. distance behind the stove	4"	4"	3"	3"	3"	3"	4"
Min. alcove height	48"	48"	48"	48"	48"	48"	48"
Min. distance corner to wall	3"	3"	2"	2"	3"	3"	4"

\* Refer to your owners manual for detailed measurements.



Meridian Pellet Insert, Standard Surround

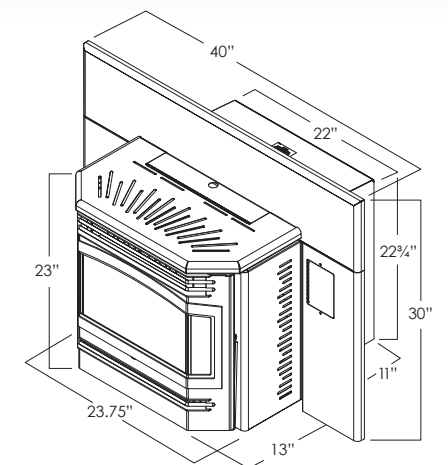
### Design Features

- Large arched bay door
- Remote control compatible
- Large heat exchanger
- Optional log set
- Tri-mode enabled thermostat
- 160 CFM variable speed fan



### Insert Details

BTU Max Input	45,000 BTU
Heating Area	2,000 ft <sup>2</sup>
Efficiency	75%*
Glass Size	Front: 9"h x 2 <sup>5</sup> / <sub>8</sub> "w Sides: 9"h x 15 <sup>3</sup> / <sub>8</sub> "w
EPA Emissions	1.84 g/hr
Hopper Capacity	55 lbs
Minimum Install Dims.	HEIGHT 22 <sup>3</sup> / <sub>4</sub> "    WIDTH 22"    DEPTH 11"



\*75% with optional Top Vent Adapter Kit (50-4117)



M55 Cast Iron Multi Fuel Insert, Painted Black

### Design Features

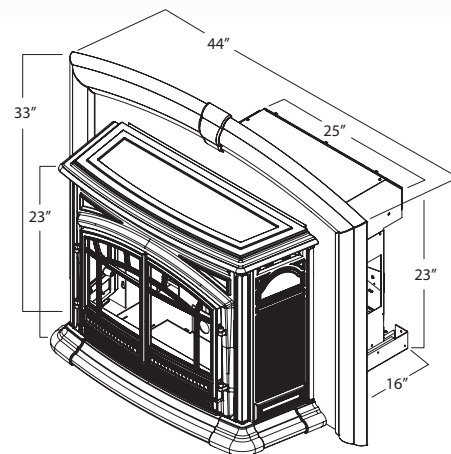
- Cast iron construction
- Large glass size (231 in<sup>2</sup>)
- Multi-fuel compatible
- Air wash system for cleaner glass
- 300 cfm variable speed fan
- Operates with cast doors open or closed
- Optional log set
- Optional service rail kit
- Available in Painted Black



### Insert Details

BTU Max Input	55,000 BTU		
Heating Area	2,500 ft <sup>2</sup>		
Efficiency	78%*		
Glass Size	231 in <sup>2</sup>		
EPA Emissions	1.9 g/hr		
Hopper Capacity	60 lbs		
Min Install Dimensions	HEIGHT 23"	WIDTH 25"	DEPTH 16"

\*78% with optional Top Vent Adapter Kit (50-4160)



## Insert Performance Specifications

ATTRIBUTES	MERIDIAN	M55 CAST
BTU Max Input	45,000 BTU/hr	55,000 BTU/hr
Heating Area	2,000 ft <sup>2</sup>	2,500 ft <sup>2</sup>
Efficiency	75%*	78%*
Glass Size	Front: 9" h x 2 5/8" w Sides: 9" h x 15 3/8" w	231 in <sup>2</sup>
EPA Emissions	1.84 g/hr	1.9 g/hr
Hopper Capacity	55 lbs	60 lbs
Convection Fan	160 CFM	200 CFM

\*with optional Top Vent Adapter Kit

## Minimum Installation Dimensions\*

ATTRIBUTES	MERIDIAN	M55 CAST
Height	22 3/4"	23"
Width	22"	25"
Depth	11"	16"

## Clearance to Combustibles\*

ATTRIBUTES	MERIDIAN	M55 CAST
Center of unit to side wall	20"	24"
Bottom of unit to bottom of 12" mantle	29 1/2"	33"
Bottom to max. 3/4" combustible facing	8"	0"
Side of unit to side facing	8"	0"
Door to edge of floor protection	6"	6"
Side of unit to side of floor protection	6"	6"

\* Refer to your owners manual for detailed measurements.

## Freestanding Pellet Stoves

**P3** | FREESTANDING PELLESTOVE



**Mini** | FREESTANDING PELLESTOVE



**Meridian** | FREESTANDING PELLESTOVE



**Meridian** | CAST IRON PELLESTOVE



**M55** | CAST IRON MULTI-FUEL STOVE



**M55** | FREESTANDING MULTI-FUEL STOVE



**MAXX** | FREESTANDING PELLESTOVE



## Pellet Inserts

**Meridian** | PELLESTOVE INSERT



**M55** | CAST IRON MULTI-FUEL INSERT



Learn more about our products at

# enviro.com

- Detailed Product Lineup
- Model Photo Galleries
- Downloadable Manual PDF's
- Unit Comparison Charts
- Youtube Burn Example Videos
- Online Brochures
- Dealer Locator Tool





The best way to visualize  
your dream fireplace at home  
is with the Enviro App!



Manufactured by Sherwood Industries Ltd • Victoria, BC, Canada  
enviro.com • info@enviro.com • Printed in Canada, July 2022



Please share and  
recycle this brochure