

# INSTALLATION MANUAL

**INSTALLER:** Leave this manual with the appliance.  
**CONSUMER:** Retain this manual for future reference.

**WARNING:** If the information in these instructions is not followed exactly, a fire or explosion may result causing property damage, personal injury or death.

## FOR YOUR SAFETY

Installation and service must be performed by a qualified installer, service agency or the gas supplier.

## WHAT TO DO IF YOU SMELL GAS

- Do not try to light any appliance.
- Do not touch any electrical switch.
- Do not use any phone in your building.
- Immediately call your gas supplier from a neighbour's phone. Follow the gas supplier's instructions.
- If you cannot reach your gas supplier call the fire department.

Do not store or use gasoline or other flammable vapors and liquids in the vicinity of this or any other appliance.

This appliance may be installed in an aftermarket permanently located, manufactured home (USA only) or mobile home, where not prohibited by local codes.

This appliance is only for use with the type of gas indicated on the rating plate. This appliance is not convertible for use with other gases, unless a certified kit is used.

This appliance is suitable for installation in a bedroom or bed sitting room.



TOWN & COUNTRY  
LUXURY FIREPLACES

## TCWS.54STOK Indoor/outdoor Fireplace Installation Manual.



**MODEL: TCWS.54STOK  
SERIES D  
DIRECT VENTED  
DECORATIVE GAS  
SEE THRU APPLIANCE**

**POWER VENTED ONLY**

**This is a decorative product  
and is not intended to be  
used as a heating appliance.**

Visit [www.townandcountryfireplaces.com](http://www.townandcountryfireplaces.com) for the most recent version of this manual

# Table of Contents

R - Value Statement .....	3	Venting Configurations .....	23
Caution .....	3	Minimum Vent Length Chart .....	24
Safety .....	3	Vent Terminal Minimum Clearances .....	24
Important Note for the Commonwealth of Massachusetts .....	4	Venting Components .....	25
Fireplace Dimensions .....	5	Vent Pipe Sealant .....	26
Minimum Clearances to Combustible Material .....	6	Optional Tranquility Burner .....	27
Installation Requirements .....	7	Contents of Package:.....	27
Manufactured (Mobile) Home .....	7	Installation:.....	28
Door Frame Removal .....	7	Propane Conversion .....	33
Standoffs .....	8	Optional Twilight Diamond Burner .....	35
Locating The Fireplace .....	8	Contents of Package:.....	35
Framing and Finishing .....	9	Installation:.....	36
Building envelope sealing procedure .....	10	Installation (Indoor side only) .....	39
Double sided tape for exterior side vapour barrier .....	11	Finishing Touch Trim Kit Installation .....	39
Building materials - Outer trim profile view .....	12	Wiring instructions for the TC54ST Twilight Burner kit .....	41
Non-combustible board detail .....	14	Gas Pressure Check .....	43
Non-combustible recessed installation detail .....	14	Correct gas pressure requirement:.....	43
Calcium silicate board.....	14	Burner Flame Adjustment .....	44
Secure steel frame to combustible framing .....	15	Firebox Panels Installation .....	45
Adjustable Lintel .....	15	Lighting Instructions .....	46
Lintel Adjustment .....	16	Maintenance .....	47
Power Venting Options .....	17	Glass Panel:.....	47
Electrical .....	18	Annual Inspection:.....	47
Installation .....	18	Periodically:.....	47
Wall Switch and Remote Control .....	19	Replacement parts-TCWS.54STOK .....	48
Linking the remote control unit to the wall switch.....	19	Replacement Parts - TCWS.54DST .....	49
Selecting Natural Vent and Power Vent Modes .....	19	Replacement Parts - Tranquility Burner .....	50
Home Automation .....	20	Replacement Parts - Twilight Diamond Burner .....	51
Home automation cable length .....	20	Replacement Parts - Valve Control System .....	52
Gas Supply .....	21	Wiring Diagram .....	53
Venting - Wall Power Vent Kit Only .....	22	Rating Label .....	54

## DANGER

**HOT GLASS WILL CAUSE BURNS.**

**DO NOT TOUCH GLASS UNTIL COOLED.**

**NEVER ALLOW CHILDREN TO TOUCH GLASS.**

**WARNING:** This product can expose you to chemicals including ceramic fibers, which are known to the State of California to cause cancer, and carbon monoxide, which is known to the State of California to cause birth defects or other reproductive harm.

For more information go to [www.P65Warnings.ca.gov](http://www.P65Warnings.ca.gov).

This warning is applicable to all **Pacific Energy Fireplace Products**

**A barrier designed to reduce the risk of burns from the hot viewing glass is provided with the appliance and shall be installed for the protection of children and other at-risk individuals.**

We recommend that our gas hearth products be installed and serviced by professionals who are certified in the United States by the National Fireplace Institute® (NFI) as NFI Gas Specialists

---

## R - Value Statement

---

It has been determined that the Town and Country model TCWS.54STOK indoor/outdoor Fireplace has an R value of 5.8.

This determination has been arrived at by the calculation of the typical R value of two layers of 5mm Ceramic glass, combined with 17 inches of ventilated air gap. The one layer of 5mm tempered glass has been ignored in the calculation due to it being open to the exterior air environment on both sides. Real world results may vary due to environmental factors.

---

## Caution

---

**FOR YOUR SAFETY** - Do not install or operate your Town & Country fireplace without first reading and understanding this manual. Any installation or operational deviation from the following instructions voids the Town & Country Fireplaces Warranty and may prove hazardous.

This appliance and its individual shut off valve must be disconnected from gas supply piping system during any pressure testing of that system at test pressures in excess of 1/2 psig (3.5 kPa).

This appliance must be isolated from the gas supply piping system by closing its individual manual shut off valve during any pressure testing of the gas supply piping system at test pressures equal to or less than 1/2 psig (3.5 kPa).

Note: When lit for the first time, the appliance will emit a slight odour for a couple of hours. This is due to the curing of paints, sealants and lubricants used in the manufacturing process. This condition is temporary. Open doors and windows to ventilate area. Smoke and fumes caused by the curing process may cause discomfort to some individuals.

Do not use the fireplace if any part has been under water. Immediately call a qualified service technician to inspect the fireplace and to replace any part of the control system and any gas control which has been under water.

---

## Safety

---

Due to high temperatures, this gas appliance should be located out of traffic and away from furniture and draperies.

Children and adults should be alerted to the hazards of high surface temperatures and should stay away to avoid burns or clothing ignition.

Young children should be carefully supervised when they are in the same room as the appliance. Toddlers, young children, and others may be susceptible to accidental contact burns. A physical barrier is recommended if there are at-risk individuals in the house. To restrict access to a fireplace or stove, install an adjustable safety gate to keep toddlers, young children, and other at-risk individuals out of the room and away from hot surfaces.

Clothing or other flammable material should not be placed on or near the appliance.

Any grill, panel or door removed for servicing the unit must be replaced prior to operating. Failure to do so may create a hazardous condition.

Installation and repair should be done by a qualified service person. The appliance should be inspected before use and at least annually by a professional service person. More frequent cleaning may be required due to excessive lint from carpeting, bedding material, etc. It is imperative that control compartments, burners and circulating air passageways of the appliance be kept clean.

It is our policy that no responsibility is assumed by the Company or by any of its employees or representatives for any damages caused by an inoperable, inadequate, or unsafe condition which is the result, either directly or indirectly, of any improper operation or installation procedures.

This appliance must not be connected to a chimney flue serving a separate solid fuel burning appliance.

# — Important Note for the Commonwealth of Massachusetts —

From Massachusetts Rules and Regulations 248 CMR 5.08:

- (a) For all side wall horizontally vented gas fuelled equipment installed in every dwelling, building or structure used in whole or in part for residential purposes, including those owned or operated by the Commonwealth and where the side wall exhaust vent termination is less than seven (7) feet above finished grade in the area of the venting, including but not limited to decks and porches, the following requirements shall be satisfied.
1. **INSTALLATION OF CARBON MONOXIDE DETECTORS.** At the time of installation of the side wall horizontal vented gas fuelled equipment, the installing plumber or gas fitter shall observe that a hard wired carbon monoxide detector with an alarm and battery back-up is installed on the floor level where the gas equipment is to be installed, in addition, the installing plumber or gas fitter shall observe that a battery operated or hard-wired carbon monoxide detector with an alarm is installed on each additional level of the dwelling, building or structure served by the side wall horizontal vented gas fuelled equipment. It shall be the responsibility of the property owner to secure the services of qualified licensed professionals for the installation of hard-wired carbon monoxide detectors.
    - a. In the event that the side wall horizontally vented gas fuelled equipment is installed in a crawl space or an attic, the hard-wired carbon monoxide detector with alarm and battery back-up may be installed on the next adjacent floor level.
    - b. In the event that the requirements of this subdivision cannot be met at the time of completion of installation, the owner shall have a period of thirty (30) days to comply with the above requirements; provided, however, that during said thirty (30) day period, a battery operated carbon monoxide detector with an alarm shall be installed.
  2. **APPROVED CARBON MONOXIDE DETECTORS.** Each carbon monoxide detector as required in accordance with the above provisions shall comply with NFPA 720 and be ANSI/UL 2034 listed as IAS certified.
  3. **SIGNAGE.** A metal or plastic identification plate shall be permanently mounted to the exterior of the building at a minimum height of eight (8) feet above grade directly in line with the exhaust vent terminal for the horizontally vented gas fuelled heating appliance or equipment. The sign shall read, in print size no less than one-half (1/2) inch in size, "GAS VENT DIRECTLY BELOW. KEEP CLEAR OF ALL OBSTRUCTIONS"
  4. **INSPECTION.** The state or local gas inspector of the side wall horizontally vented gas fuelled equipment shall not approve the installation unless, upon inspection, the inspector observes carbon monoxide detectors and signage installed in accordance with the provisions of 248 CMR 5.089(2) (a) 1 through 4.
- (b) **EXEMPTIONS.** The following equipment is exempt from 248 CMR 5.089(2)(a) 1 through 4.
1. The equipment listed in Chapter 10 entitled "Equipment Not Required To Be Vented" in the most current edition of NFPA 54 as adopted by the Board; and
  2. Product Approved side wall horizontal vented gas fuelled equipment installed in a room or structure separate from the dwelling, building or structure used in whole or in part for residential purposes.
- (c) **MANUFACTURER REQUIREMENTS – GAS EQUIPMENT VENTING SYSTEM PROVIDED.** When the manufacturer of Product Approved side wall horizontally vented gas equipment provides a venting system design or venting system components with the equipment, the instructions provided by the manufacturer for installation of the equipment and the venting system shall include:
1. Detailed instructions for the installation of the venting system design or the venting system components; and
  2. A complete parts list for the venting system design or venting system.
- (d) **MANUFACTURER REQUIREMENTS – GAS EQUIPMENT VENTING SYSTEM NOT PROVIDED.** When the manufacturer of a Product Approved side wall horizontally vented gas fuelled equipment does not provide the parts for venting the fuel gases, but identifies "special venting systems", the following requirements shall be satisfied by the manufacturer.
1. The referenced "special venting system" instructions shall be included with the appliance or equipment installation instructions; and
  2. The "special venting systems" shall be Product Approved by the Board, and the instructions for that system shall include a parts list and detailed installation instructions.
- (e) A copy of all installation instructions for all Product Approved side wall horizontally vented gas fuelled equipment, all venting instructions, all parts lists for venting instructions, and/or all venting design instructions shall remain with the appliance or equipment at the completion of the installation.

# Fireplace Dimensions

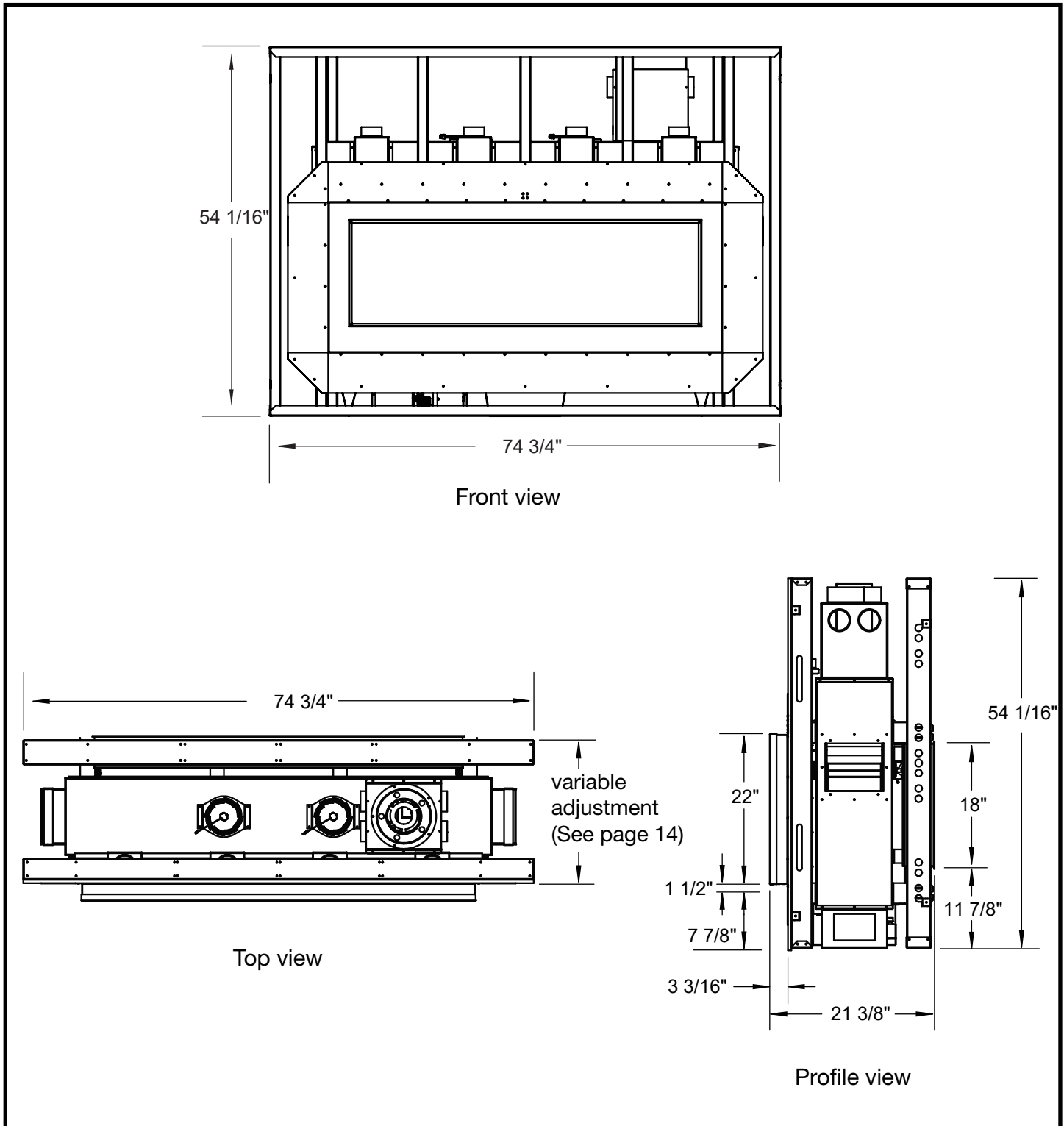


Figure 1: TCWS54STOK Dimensions.

# Minimum Clearances to Combustible Material

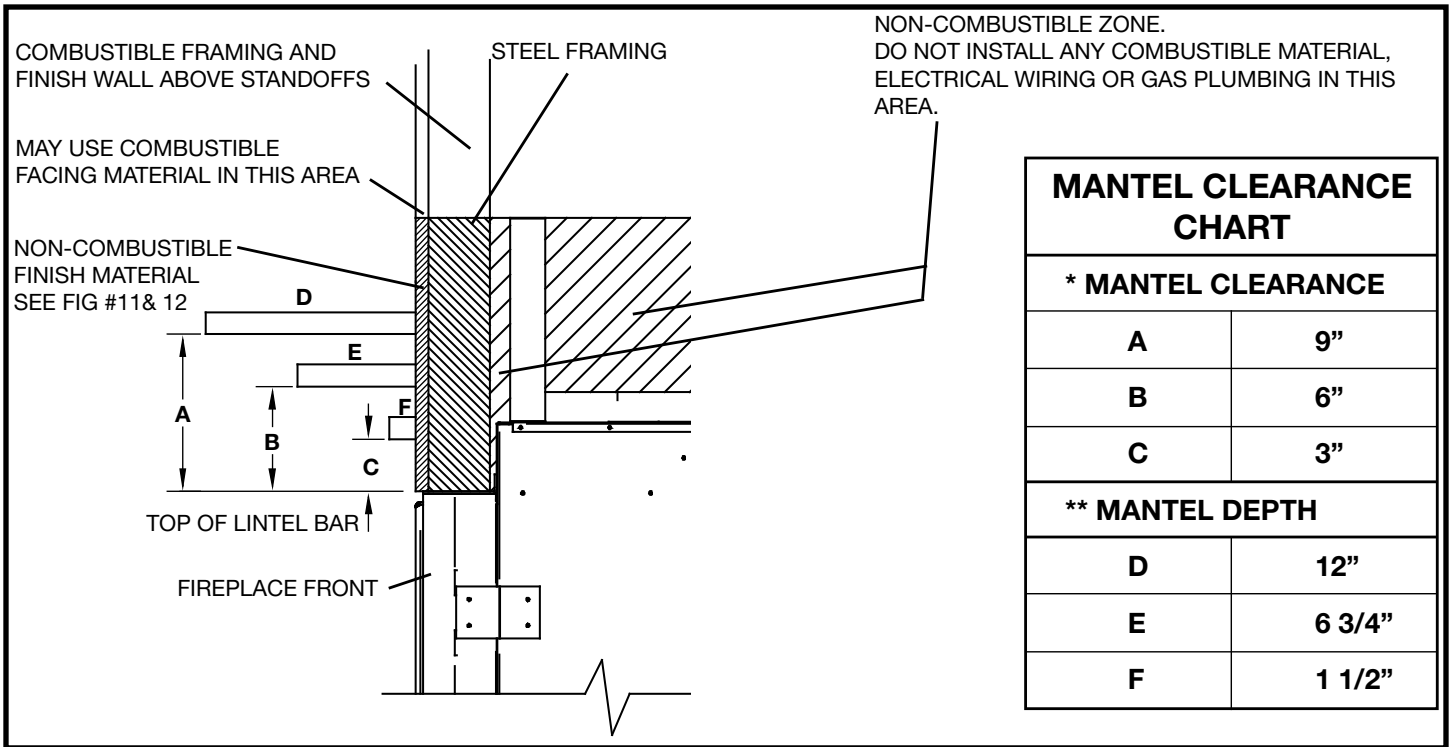


Figure 2: TCWS54STOK Mantel clearances.

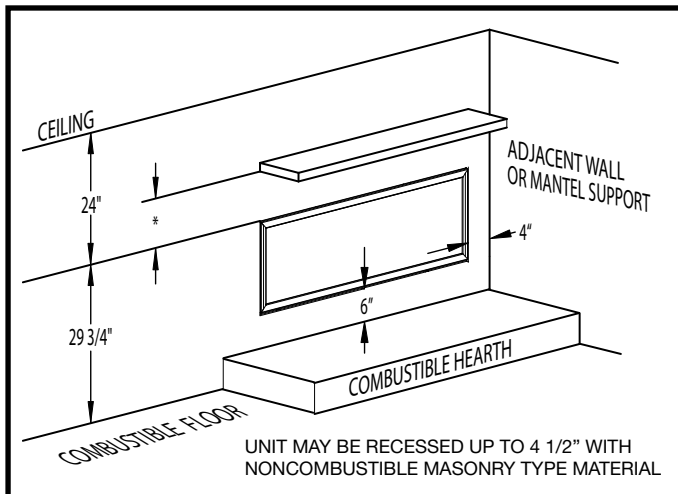


Figure 3: TCWS54STOK Minimum mantel clearances.

**Minimum Clearances:**

Side standoffs .....	0 in.	(0 mm)
Back standoffs .....	0 in.	(0 mm)
Top standoffs .....	0 in.	(0 mm)
Bottom of appliance .....	0 in.	(0 mm)
Adjacent side wall .....	4 in.	(102 mm)
Ceiling to appliance .....	24 in.	(610 mm)
*Mantel to appliance .....	See Figure #2	
**Maximum Mantel extension .....	See Figure #2	
Mantel support .....	4 in.	(102 mm)
Vent pipe .....	1 3/4 in.	(45 mm)

# Installation Requirements

The Town & Country Fireplace installation and venting must conform to the current CAN/CGA-B149 installation code (in Canada) or the current National Fuel Gas Code, ANSI Z223.1 (in the USA), and approved per local codes. Only qualified (licensed or trained) personnel should install this product.

In the state of Massachusetts, only a licensed Plumber and Gas Fitter may install this product.

## Manufactured (Mobile) Home

In some jurisdictions, the Town & Country Fireplace may be installed in Manufactured Homes after the "first sale". Consult local codes for approval. The fireplace must be fastened in place.

Install in accordance with the current standard Mobile Homes, CAN/CSA Z240 MH (in CANADA), and the Manufacturer's Home Construction and Safety Standard, Title 24 CFR, Part 3280 or the current Standard for Fire Safety Criteria for Manufactured Home Installations, Sites and Communities ANSI/NFPA 501A (in the USA).

## Door Frame Removal

**Warning:** Turn off the fireplace, and allow ample time for the unit to cool before proceeding.

Caution: The ceramic glass is very fragile, and should be handled with care.

The door frame is held in place by two spring-loaded latches that are operated by a one-piece latch handle.

1. Remove safety barrier screen (Figure 4) by prying the top portion of the screen toward you, then lift the screen from its tabs (inset) located at the base of the door frame.
2. Remove the TC Finishing Touch Trim Kit from the door frame. (If installed)
3. Using a screwdriver (Figure 5) or other similar object, push against the notch in the top of the latch and grab the bottom of the latch handle as it protrudes (Figure 6). Lift handle until latch hook disengages. Repeat for other side while holding glass so it does not tip out.
4. Tilt the top of the door frame out to clear the top edge of the unit. Grasp the sides of the frame and lift up and out to disengage from its bottom track.
5. Place the door frame in a safe place to avoid damage.
6. Re-assemble in reverse order. Latch handle should snap into place and be flush with door frame when engaged correctly.
7. Reinstall Trim Kit if required.
8. Reinstall safety barrier screen.

**TIP:**

To ensure glass is properly latched, grasp the top left and right sides of the glass frame, under moderate pressure it should pull forward and return to original position evenly on both sides.

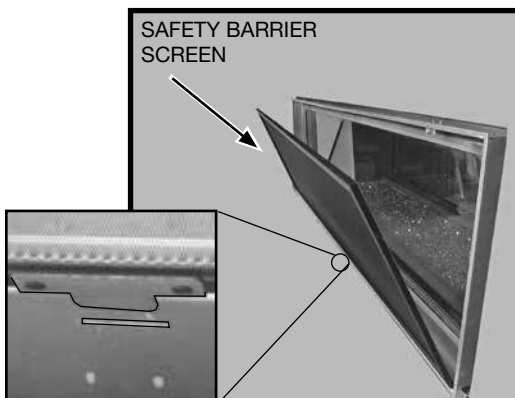


Figure 4: Safety barrier screen.



Figure 5: Accessing handle.

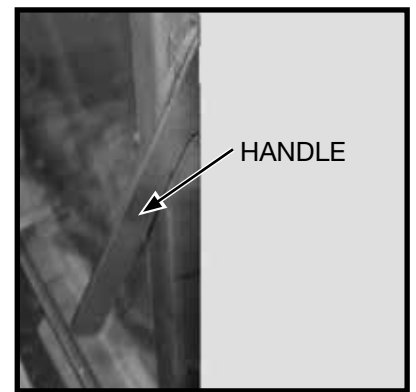


Figure 6: Handle.

## Standoffs

The framing kit, once assembled and attached, are used as the top and side standoffs.

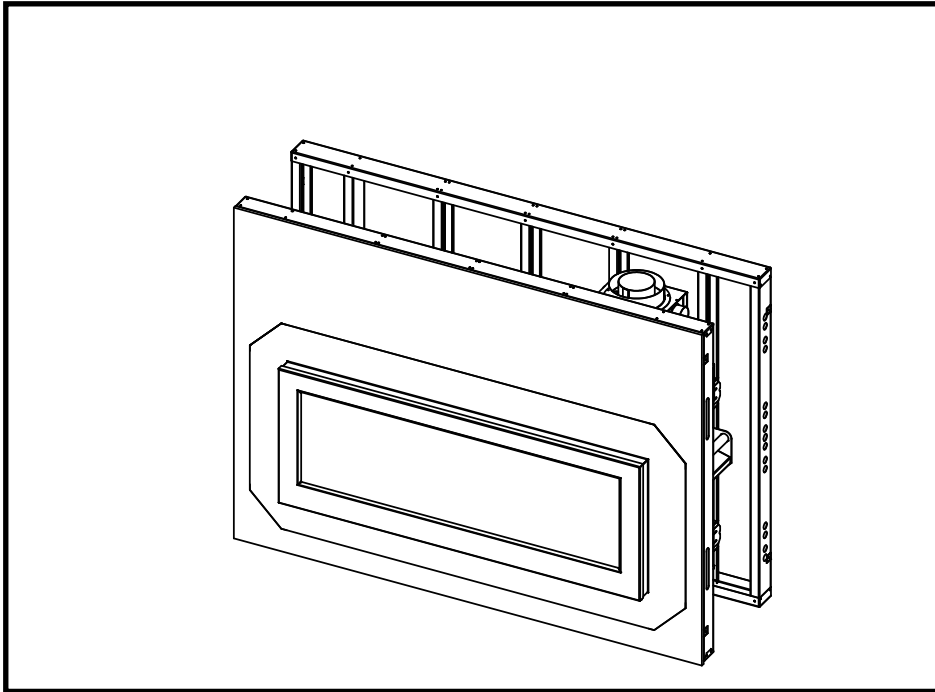


Figure 7: TCWS54STOK Frame as standoffs.

## Locating The Fireplace

In planning the installation for the fireplace, it is necessary to determine where the unit is to be installed, location of vent system and where gas supply piping may be plumbed. Various types of installations are possible, such as, a peninsula wall, an island, and between two interior walls (Figure 9). Due to high temperatures, do not locate this fireplace in areas of high traffic or near furniture or draperies.

The minimum clearances from the fireplace to combustible surfaces must be adhered to and are shown in Figure 2 and Figure 3.

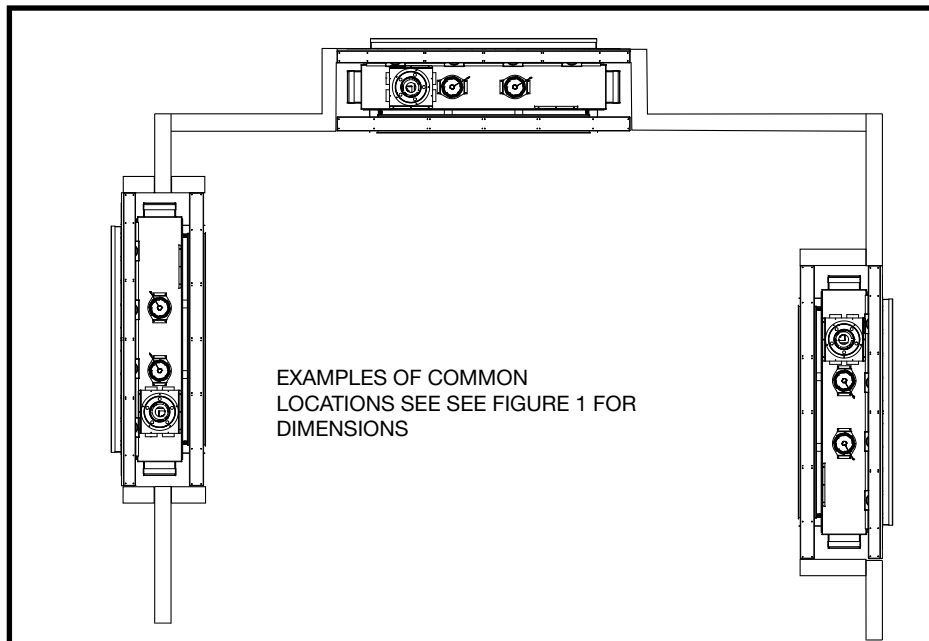


Figure 8:  
TCWS54STOK  
Possible locations.



# Framing and Finishing

**Note: The fireplace should be in place and venting installed before framing in or building an enclosure around the unit.**

When the appliance is installed directly on carpeting, tile or other combustible material, other than wood flooring, the appliance shall be installed on a metal or wood panel extending the full width and depth of the appliance.

The Town & Country fireplace must be framed in as described below or totally enclosed with non-combustible material, such as facing brick.

Determine the total thickness of facing material to be used. A thickness of 3/4" will allow the finishing surface to be flush with the front of the unit. If preferred, additional masonry type non-combustible material can be installed above and to the sides up to 4 1/2 inches forward of the appliance.

**\*The finishing material must not interfere with glass frame access.\***

A Steel Stud Framing Kit is supplied with the fireplace and must be used unless the fireplace is totally enclosed with non-combustible material. The framing kit comes fully assembled and the outdoor section of the fireplace come fully insulated.

The sides and top of the fireplace are framed in up to the steel studs using conventional lumber. Consult local building codes for specific requirements.

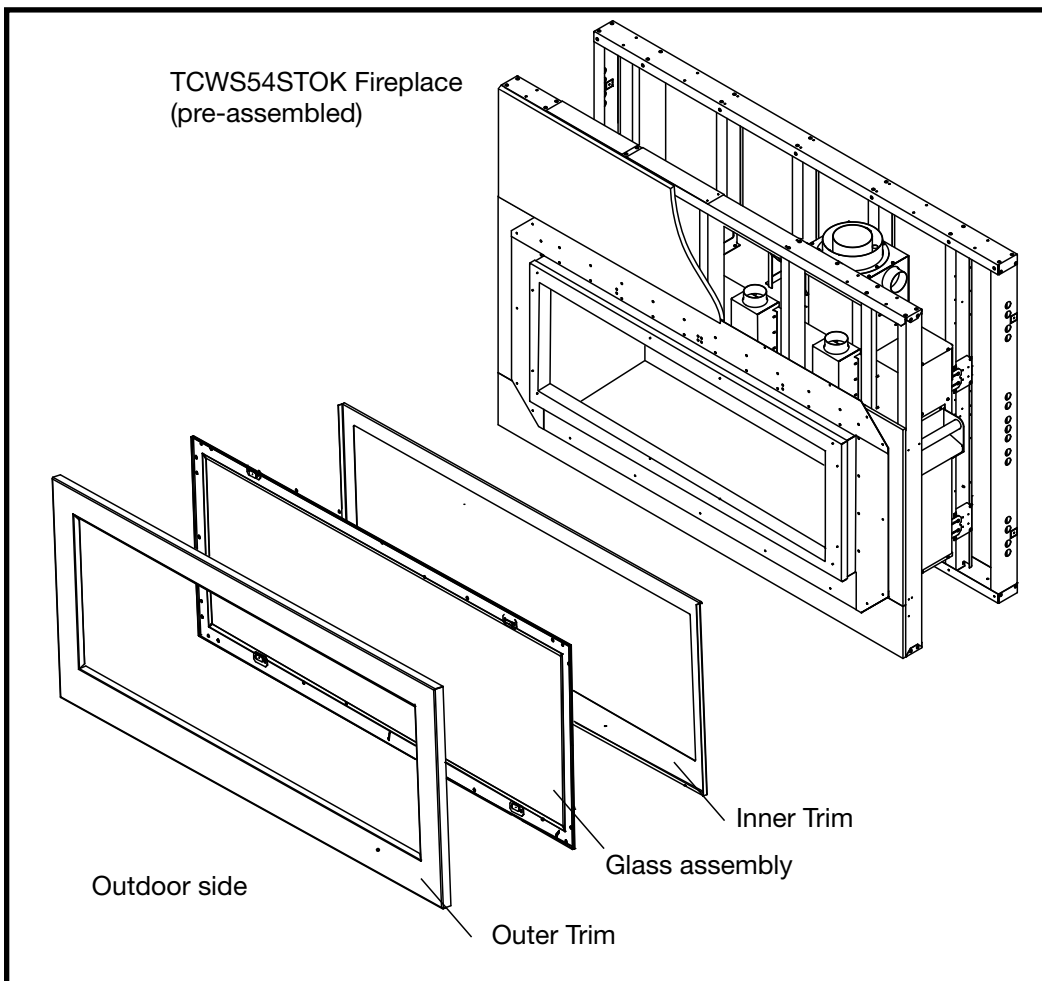
Due to high temperatures, non-combustible backer board, such as cement board or its equivalent, must be used to sheet in the front of the fireplace, extending to the top of the metal frame and laterally to the framing edge bars (Figure 14). Standard sheet rock (dry wall) may be used beyond this.

If the backer board is not to be finished with other non-combustible material such as tiles, it is recommended that top sections of the board be a single sheet of calcium silicate board or its equivalent. Taped and mudded joints may crack due to the elevated temperatures.

**Chase Insulation:**

When installing this fireplace against a non-insulated exterior wall or chase, it is recommended that the outer walls be insulated to same degree as other exterior walls. Do not place fireplace directly against the insulation. Cover the insulation and plastic vapour barrier with a solid surface, such as dry wall (sheet rock). Consult local codes. Do not insulate or use plastic vapour barrier within the framing kit.

**CAUTION: See "Figure 16" on page 13 before proceeding.**



**NOTE:**

The chase must be properly sealed at the ceiling level or between floors in a multilevel installation.

Figure 9: Outdoor side components and their order of assembly.

## Building envelope sealing procedure

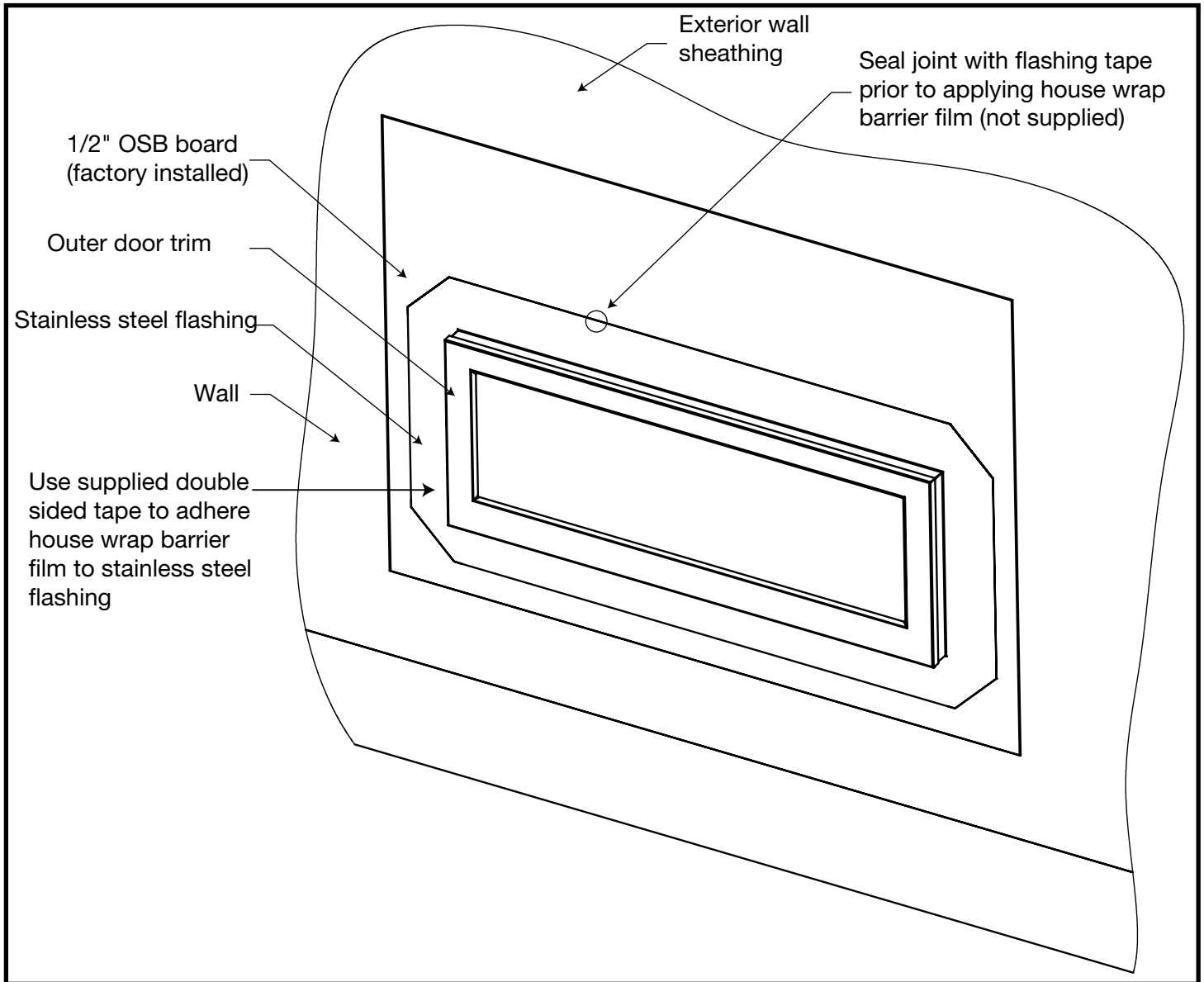


Figure 10: Building envelope sealing.

Any type of siding may be used (minimum 120 F rating). See Figure 11

**Note: Local building codes and regulations may vary. Consult local building codes prior to installation.**

## Building materials - Outer trim profile view

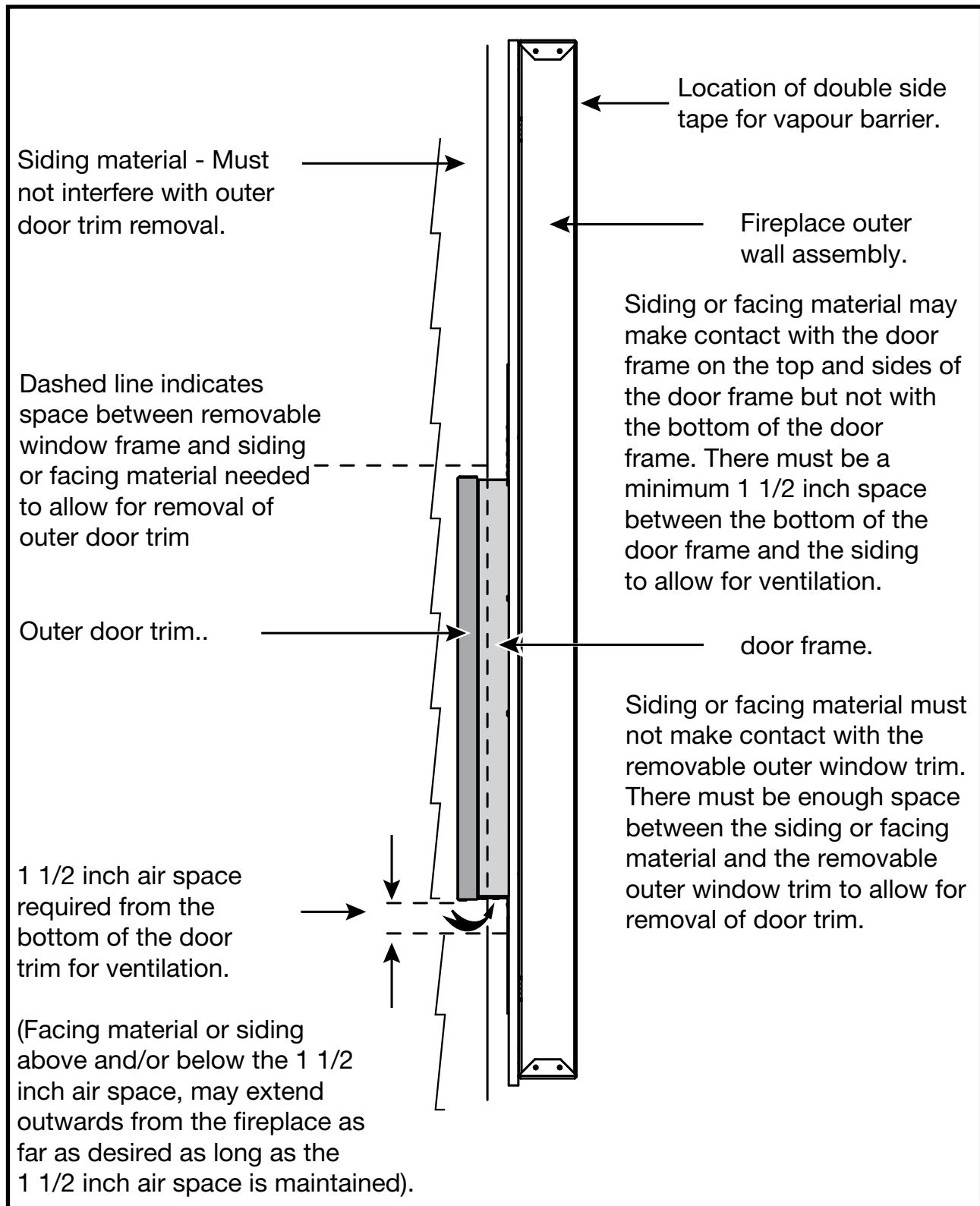


Figure 11: Outdoor-side building materials.

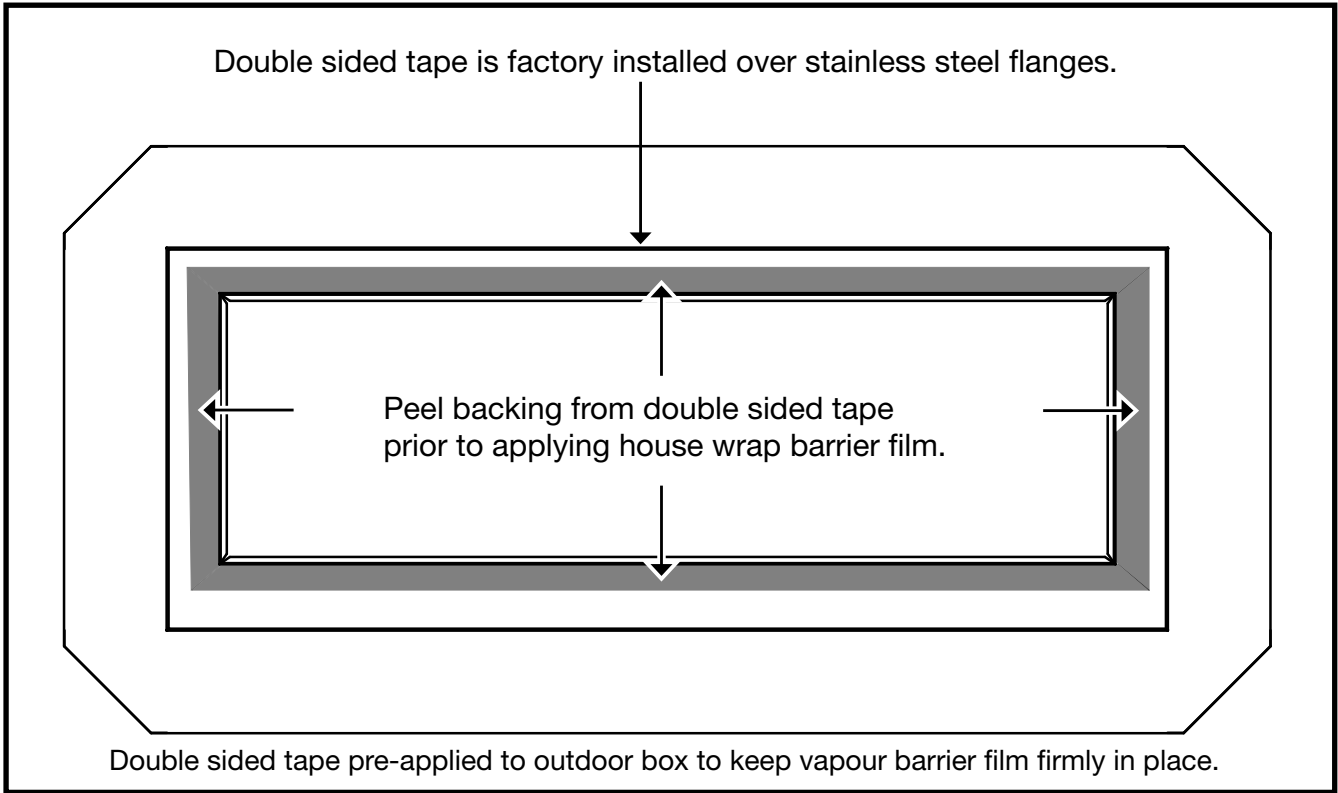


Figure 12: Double sided tape for outdoor box.

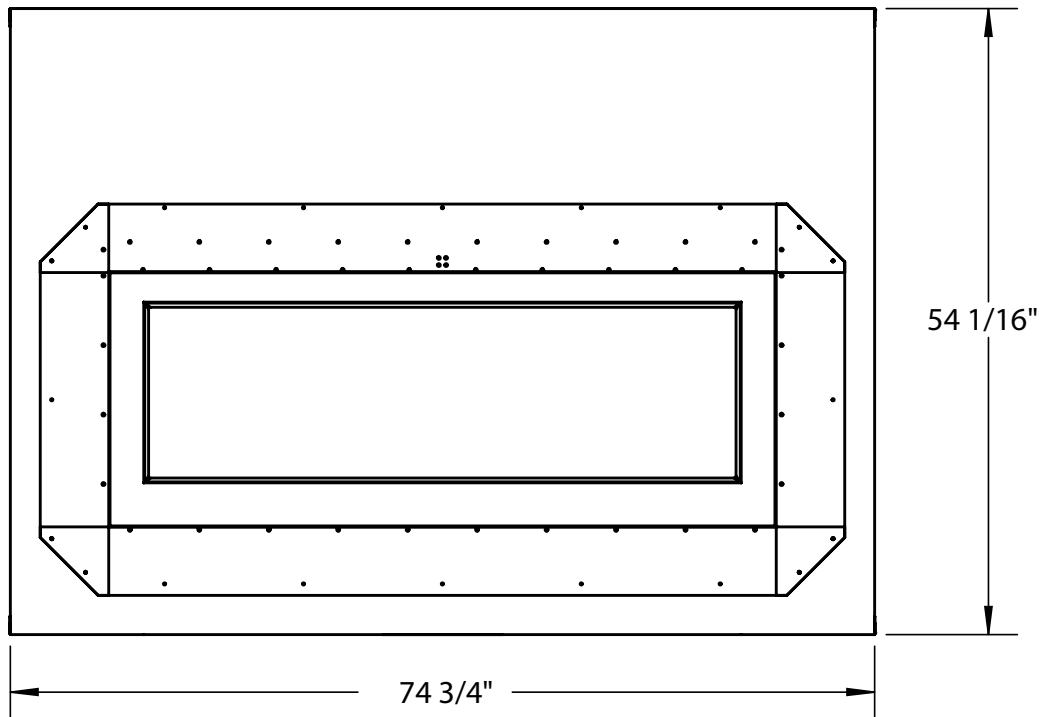


Figure 13: Outside door dimensions.

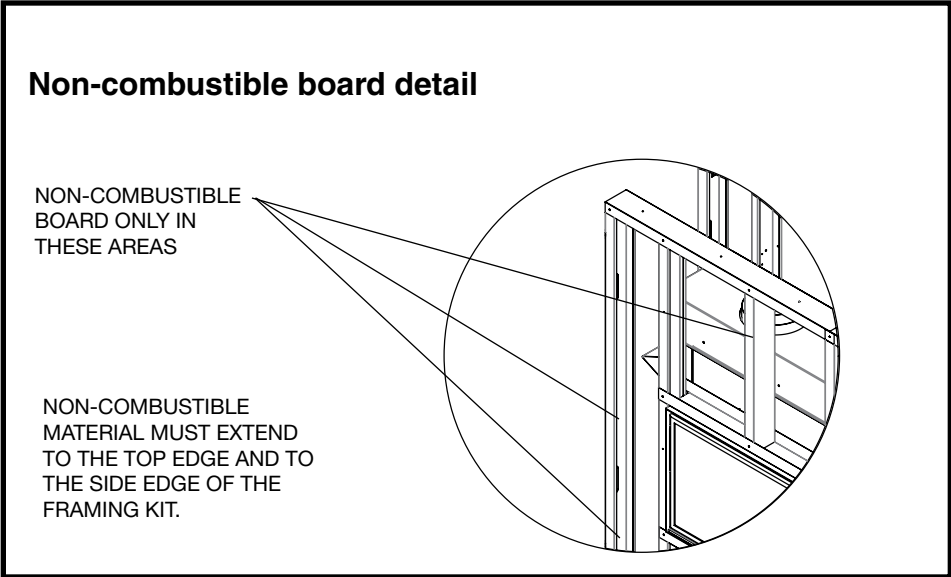


Figure 14: Non combustible board within frame.

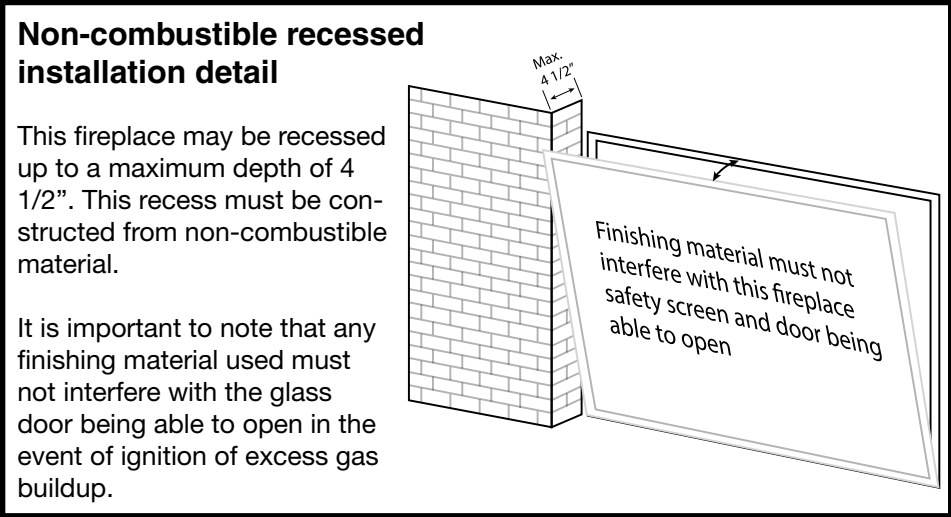


Figure 15: TCWS54STOK Recessed installation details.

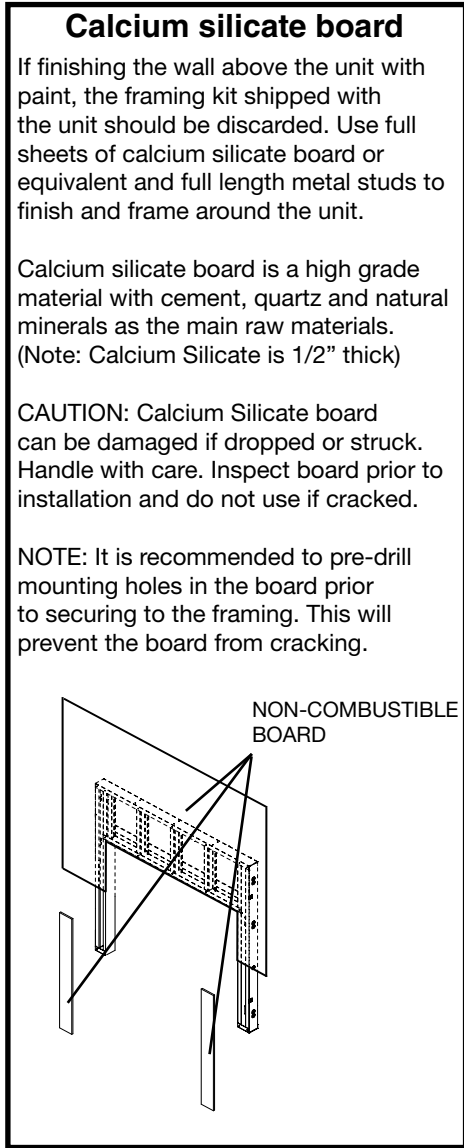
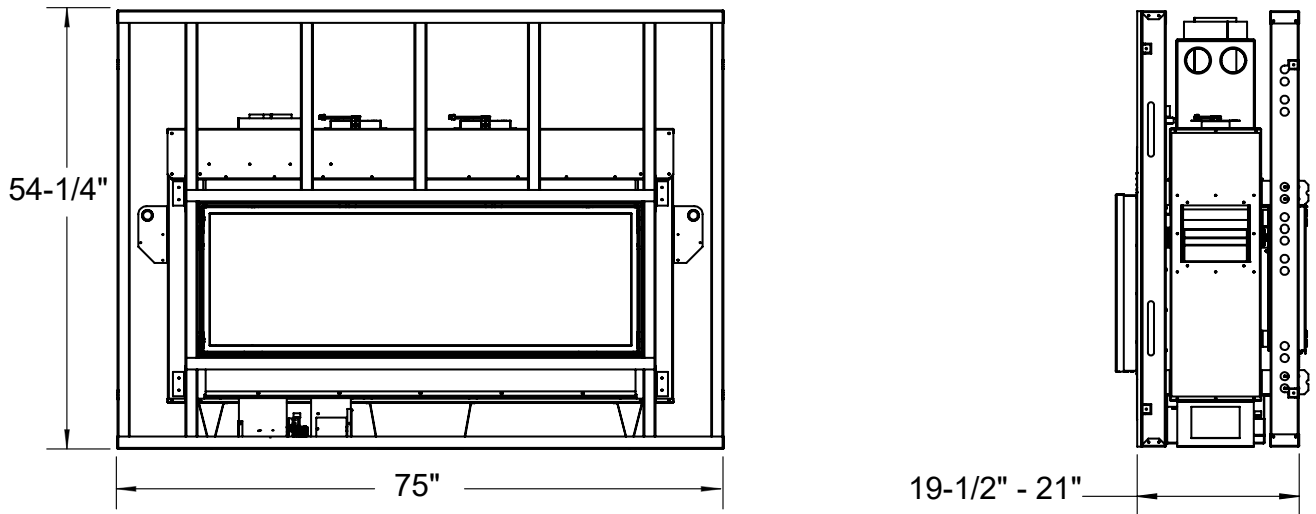


Figure 16: Non-combustible board location.



**NOTE: FIREPLACE SHOULD BE IN ITS FINAL LOCATION BEFORE FRAMING.**

Figure 17: Framing dimensions.

## Secure steel frame to combustible framing

1. The Framing Kit has 1-1/2" of adjustable depth. To adjust; Loosen the screws on the mounting brackets (Figure 18) and set to desired depth before framing, then adjust to sit flush with the framing.
2. Bend out the tabs 90 degrees before inserting the unit into its framed housing (Figure 19).
3. Secure the frame assembly to the wood frame through the tabs (Figure 19).

## Install Non-Combustible Board (not supplied)

- Use drywall screws 8 to install the non-combustible board.



Figure 18: Framing Kit Brackets.

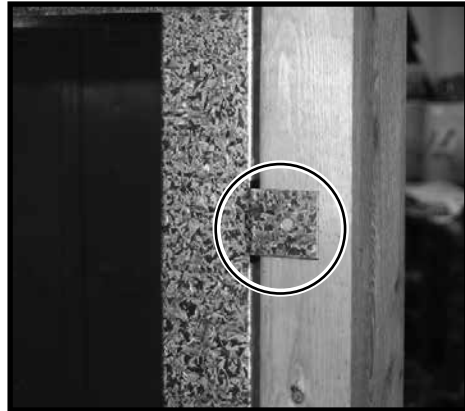


Figure 19: Attaching metal tab to frame.

## Adjustable Lintel

This fireplace may be recessed up to a maximum depth of 4 1/2", this recess must be constructed from non combustible material. The space between the outside lintels and the firebox must be completely free of any obstructions or debris and the door with trim fitted must be able to move freely. No building material is permitted to protrude past the lintel bars attached to the fireplace under ANY circumstance.

NON COMBUSTIBLE  
FINISH MATERIAL

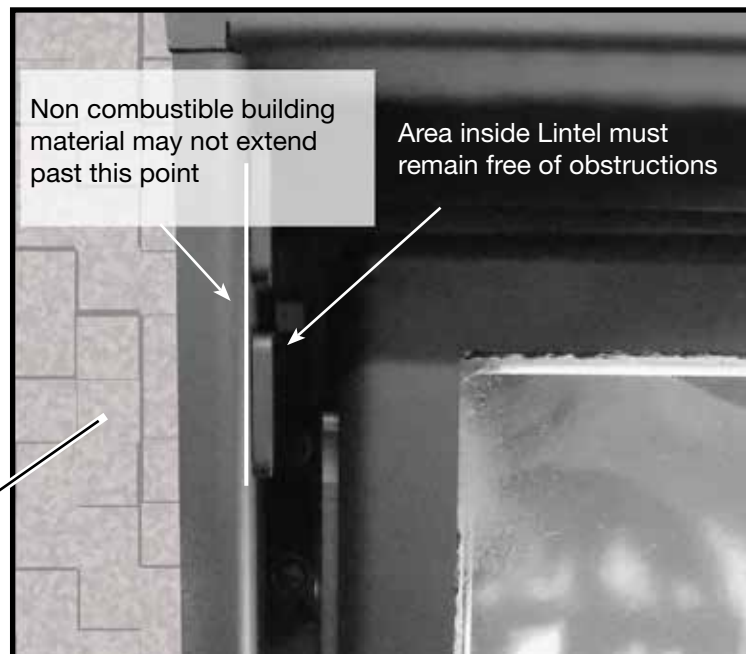


Figure 20: Framing edge location.

## Lintel Adjustment

1. The adjustable lintel assembly has two orientations for desired finishing. The flanged edge and the hemmed edge (Figure 21). The lintel comes factory installed with the flange edge out. If the desired edge is different from the factory setting, use the following steps to change it.
2. Remove safety barrier screen.
3. Remove the door trim from the door frame.
4. Loosen the securing bolts in the upper and lower corners on each side of the lintel (Figure 22) and remove the lintel. Rotate the assembly to have the desired edge away from the fireplace.
5. The lintel assembly can then be adjusted to align flush with your facing material by sliding in or out approximately 1".
6. Tighten the securing bolts.
7. Re-attach the door trim.
8. Reinstall safety barrier screen.

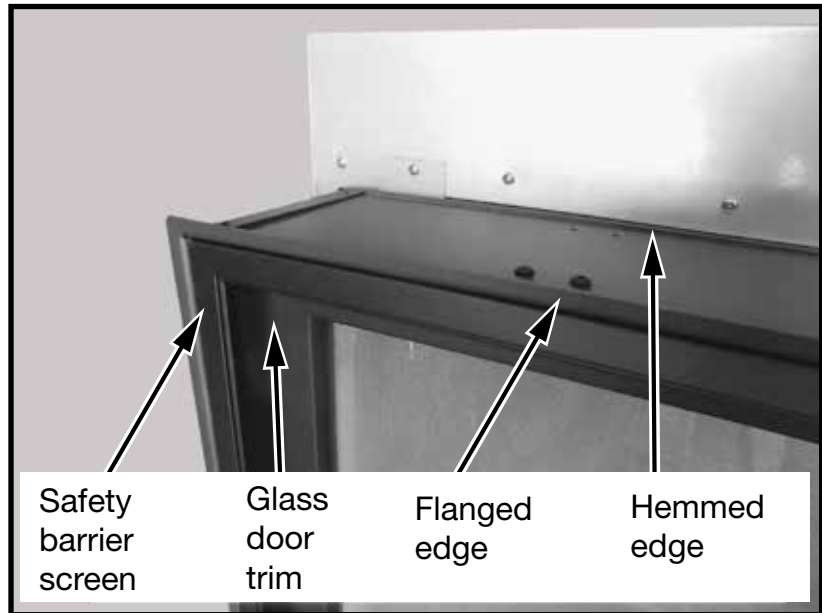


Figure 21: Lintel and trim.

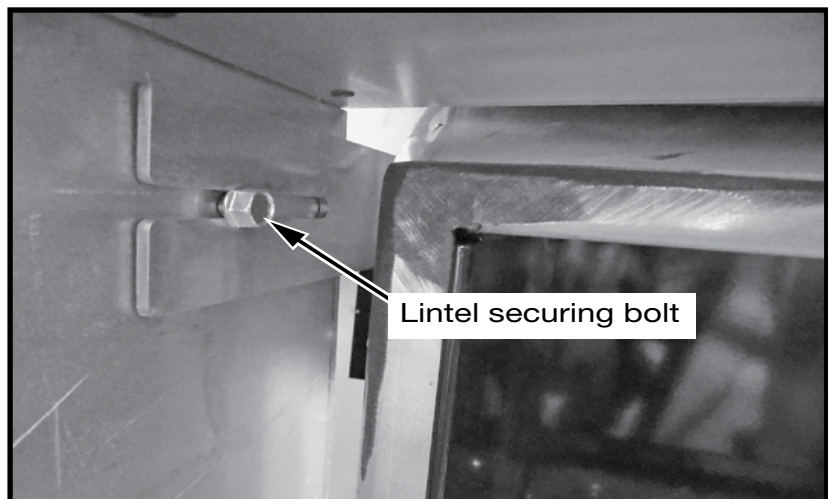


Figure 22: Upper left securing bolt.

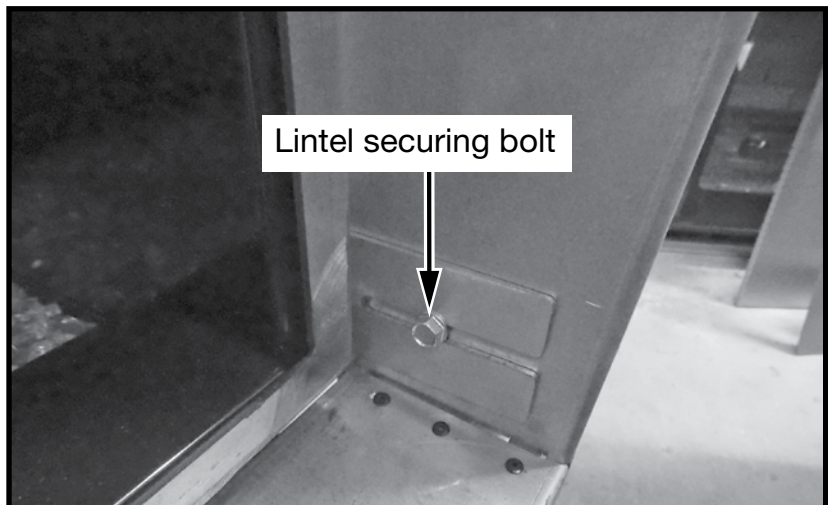


Figure 23: Lower right securing bolt.

# Power Venting Options

## POWER VENTING CONFIGURATIONS

A power vent is mandatory on this indoor/outdoor fireplace. This fireplace can be power vented either horizontally or vertically and uses 5" X 8" vent pipe. The flue collar on the unit is designed for the 5" X 8" vent pipe only.

For **Horizontal** power venting where venting lengths **between 3 feet to 110 feet** are required, the power vent unit part #22270004 must be used. **The internal fan speed in this power vent unit must be switched to the HIGH setting.**

Where **Vertical** power venting is required, the power venting unit part #22270013 must be used. Total venting length can be up to 110 feet but is restricted to a 66 foot maximum vertical rise. There is no internal fan speed switch to be concerned with.

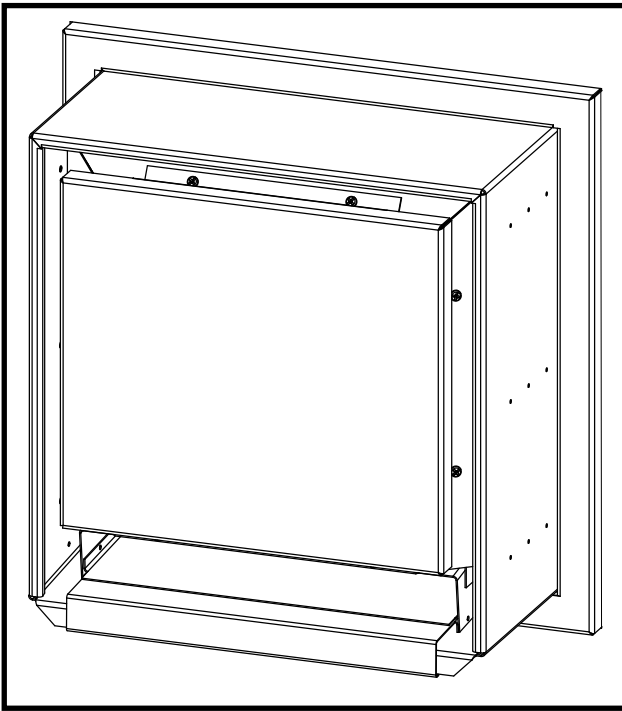


Figure 24: Horizontal mount power vent.



Figure 25: Vertical power vent.



# Electrical

**Note: Installation must be performed by a qualified installer, service agency or gas supplier.**

The gas control system is located on the right hand side of the firebox behind an access panel and the decorative firebox panel (if installed). The fireplace is operated via a wall control and a hand held remote control unit.

**This entire length of the supplied cable MUST be used. DO NOT substitute this cable with any other cable. Do not add on to the length of this cable. Wall switch for the fireplace must be located in the same room as the fireplace.**

The wall control is connected to the fireplace by a 40 ft. communication cable supplied with the fireplace.

## Installation

1. Place the fireplace in the desired location.
  2. Remove the glass door from the fireplace.
  3. Remove access panel from bottom left hand side of the firebox (Figure 26).
  4. Ensure that the switch on the IFC board is set to PV (Power Vent) (Figure 28).
  5. Connect 110 V. AC electrical supply to the wires installed inside the junction box (Figure 26). The fireplace is rated at 110 volts, 60Hz, 0.25A. The optional power vent kit is rated at 115 volts, 60Hz, 1.8A. The electrical wires can be accessed from both inside and outside the junction box by removing one of the two small access panels (Figure 27 and Figure 28).
  6. Attach the wall switch to the framing in the desired location. (40 ft is supplied with fireplace).
  7. Route the wall switch control cable as required to the wall switch (Figure 30).
  8. Attach one end of the wall switch control cable to the interface board (Figure 28), and the other end to the wall control (Figure 30).
- 9. Do not install batteries into the wall switch (Figure 31). Battery holder must remain empty.**
10. If not already installed, install the burner using the instructions supplied with the burner kit.
  11. Turn on the gas supply and check that all connections are tight and leak free.
  12. Turn on gas and electrical supplies.
  13. Move the center button on the wall control (Figure 29) to the "ON" position. The igniter will start to spark. After a short delay, the pilot will light followed by the main burner.

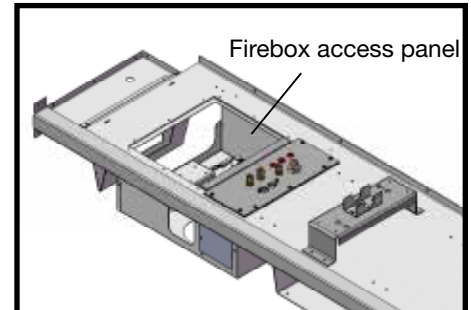


Figure 26: Firebox access panel.

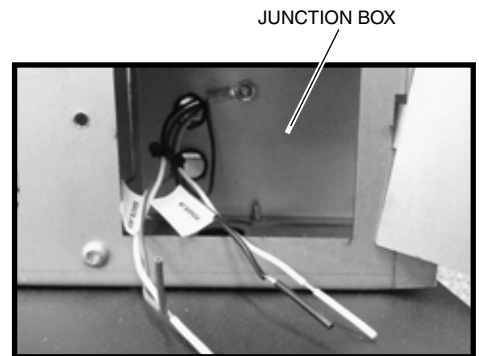


Figure 27: Junction box wiring.

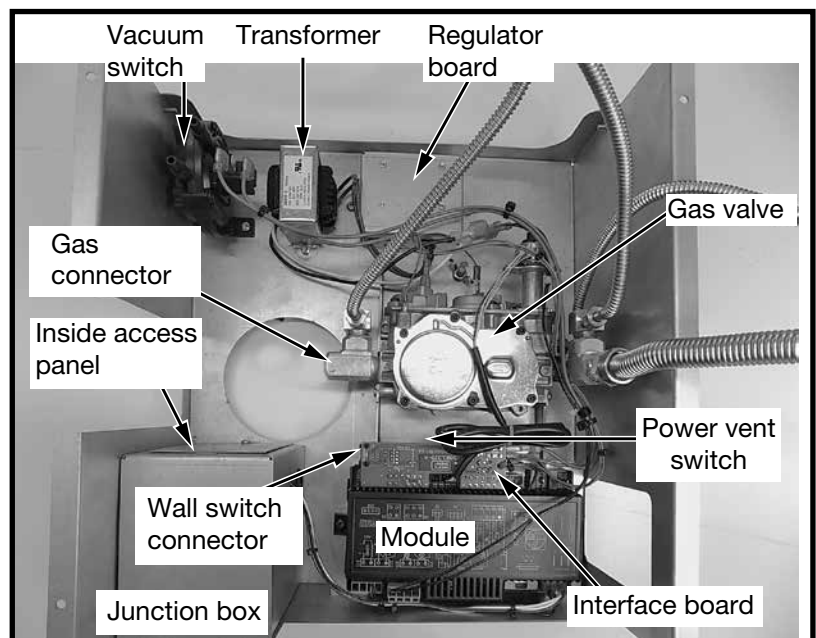


Figure 28: Valve assembly components.

## Wall Switch and Remote Control

**Note:** The wall switch for the TCWS54STOK must not have batteries installed in it. The batteries are for back up in case of a power outage. This fireplace must not operate with a battery back up.



Figure 29: Town and Country wall switch.

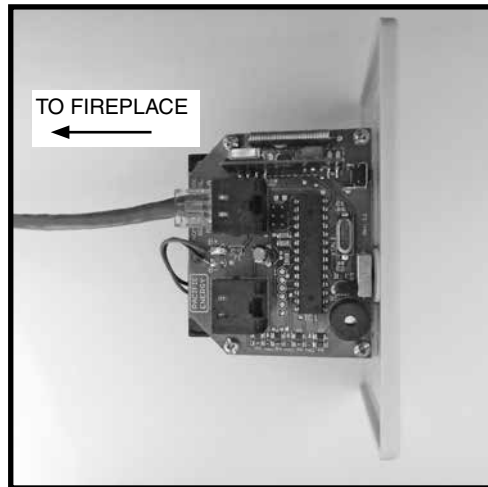


Figure 30: Wall switch - interface side.

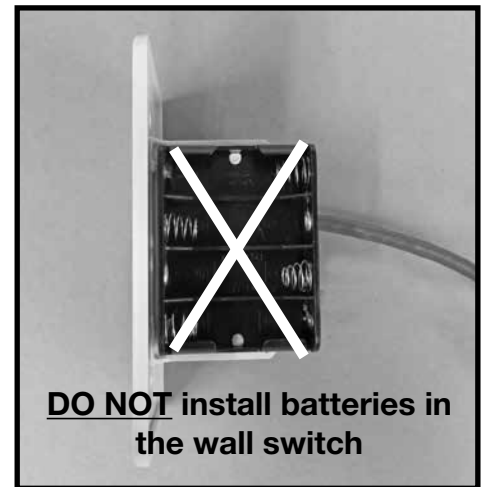


Figure 31: Wall switch no batteries.

### Linking the remote control unit to the wall switch.

1. Begin by moving the selector toggle on the wall switch to the "REMOTE" position.
2. Insert a straightened paper clip into the "PROGRAM" slot on the wall switch.
3. Press the internal "PROGRAM" button once and wait until you hear 3 beeps from the wall switch.
4. Press the ON/OFF button of the remote unit. Once the wall unit beeps 3 times, the remote is programmed.
5. The toggle on the wall switch must be kept in the "REMOTE" position in order to use the remote control unit.

## Selecting Natural Vent and Power Vent Modes

**The TCWS54STOK\_D must be pre-set to the "PV" setting.**

The NV/PV (Natural Vent / Power Vent) switch (Figure 32) on the interface board (Figure 28) is set according to which type of evacuating vent system is present. In all cases with the TCWS54STOK fireplace, the NV/PV switch **MUST** be set to PV.

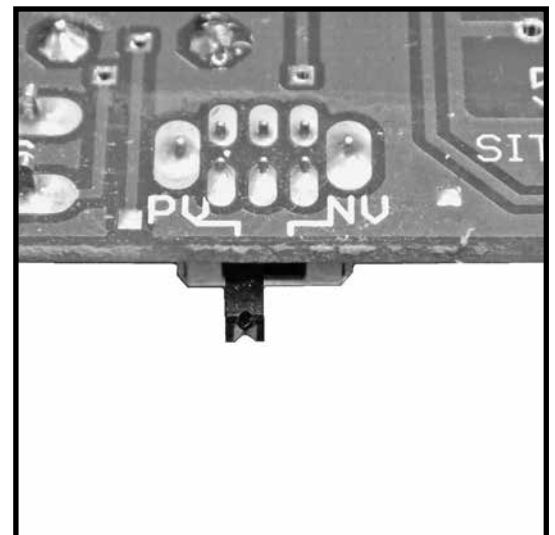


Figure 32: Vent mode selection switch.

# Home Automation

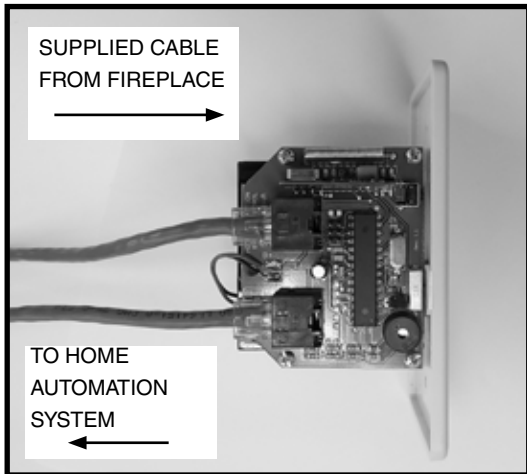


Figure 33: Complete communication wiring.

The home automation feature supplied with this fireplace is capable of controlling the flame and light on/off function with the use of a dry contact relay common to home automation systems. Furthermore, the flame and light level may be modulated from high to low using the 0 - 10 volt analog output available on most home automation systems.

Figure 34 shows the wire designations required to connect the fireplace to a home automation system.

## Home automation cable length

The cable from the home automation system to the wall switch should be a length of no more than 200 feet.

### NOTE:

When a signal has been supplied by the home automation system, the fireplace control will repeat the signal every 2 hours or until a new command has been received.

Leave the wall switch on the “Remote” setting when using home automation.

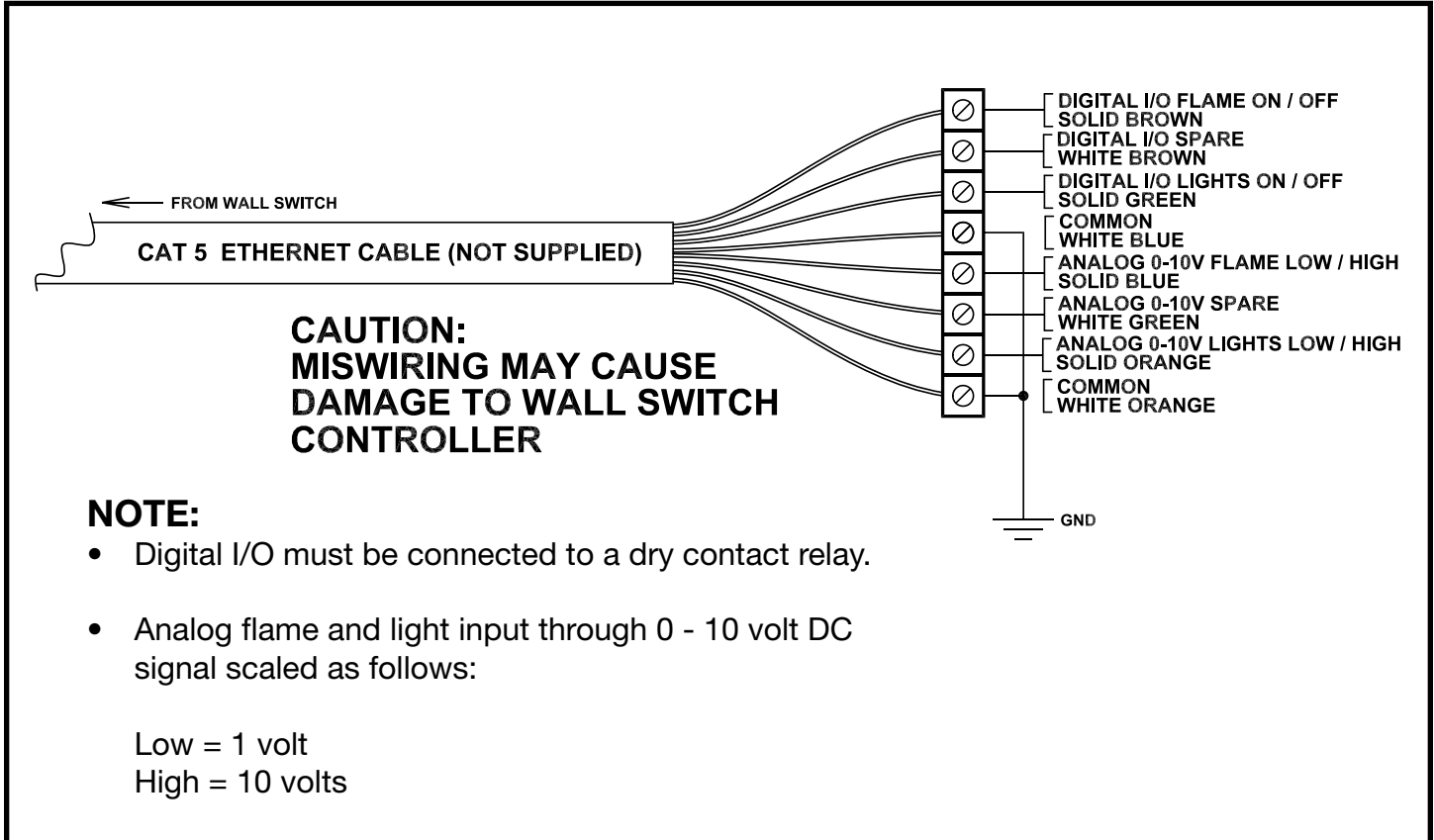


Figure 34: Home automation wiring.

## Gas Supply

Servicing of the appliance can be performed from inside the unit and through the access panel located in the firebox bottom.

**Caution:** The gas line should be installed by a qualified service person in accordance with all building codes. This section is intended as a guide for qualified technicians installing this appliance. Consult local and/or national building codes before proceeding.

- Gas supply line access holes are located beneath the fireplace on the flue side of the Control Box. Gas valve inlet accepts a 3/8" N.P.T. fitting. Correct gas line diameter must be used to assure proper operation and pressure.
- A drip leg must be installed in the gas supply line going to the gas control valve to minimize the possibility of any loose scale or dirt within the gas supply line from entering the control valve.
- It is essential that a union or flanged connection be installed just upstream of the valve and inside the control compartment to allow for repair or replacement of the gas valve. Check local codes for additional requirements.

**Check local codes for additional requirements.**

1. Connect the gas supply to the gas connector (Figure 28)
2. Turn on the gas supply and check that all connections are tight and leak free.

**WARNING: The access panel including gasket must be reinstalled after conversion/installation or servicing has been completed. Failure to do so will cause overheating and premature failure of the control system.**

**Note:** To test the gas pressure, turn off the gas supply before removing the plug from the supply pressure test port or manifold pressure test port.

**Verify gas pressures with the fireplace lit and on the highest setting.**

**Please see “Gas Pressure Check” on page 42.**

## Venting - Power Vent

For Power Venting this fireplace, “Power Venting Options” on page 16 and “Venting Configurations” on page 22.

**VENT SUPPORTS: A minimum of 1 support every 4’ must be used.**

**CAUTION: UNDER NO CONDITION SHOULD COMBUSTIBLE MATERIAL BE CLOSER THAN 1 ½ INCHES FROM ANY PART OF THE VENTING PIPE.**

Vent pipe size is 5” X 8” and the flue collar on the unit is designed for this size pipe only.

This installation must conform with local codes or, in the absence of local codes, with the National Fuel Gas Code, ANSI Z223.1/NFPA 54, or the Natural Gas and Propane Installation Code, CSA B149.1.

All electrical installations should be performed by a qualified electrician to the Canadian and U.S. National Electrical Codes (CSA C22.2 for Canada), (ANSI/NFPA 70 for the U.S.) and/or local electrical codes.

**Under no circumstances shall a rheostat be used to alter the voltage supply to this unit.**

### MINIMUM VENTING CLEARANCES TO COMBUSTIBLE MATERIALS

THESE CLEARANCES SUPERCEDE ANY CLEARANCES INCLUDED WITH THE  
POWER VENT

Terminal casing:  
0 in. (0 mm)

Vertical vent pipe:  
1.5 in. (38 mm)

Horizontal vent pipe:  
4 in. (100mm) above vent pipe  
2 in. (50mm) to the sides and under vent pipe

All other clearances are as per the fireplace installation instructions.

# Venting Configurations

## VENTING CONFIGURATIONS

The power vent is mandatory on this indoor/outdoor fireplace and must conform to the following venting variables:

- Venting can consist of any combination of rise and run up to a total of 110' including up to 3 ft below the unit and a 66' vertical rise.
- Six 90-degree elbows or combination of other elbows equaling 90-degrees may be used.
- 2' per each 90 degree turn used must be deducted from the total allowable venting length of 110'.
- Minimum total vent length is 3 ft plus one 90-degree elbow.
- Ensure vent pipe is properly supported.

**Vent pipe size for this unit is 5" X 8". The flue collar is designed for this size pipe only.**

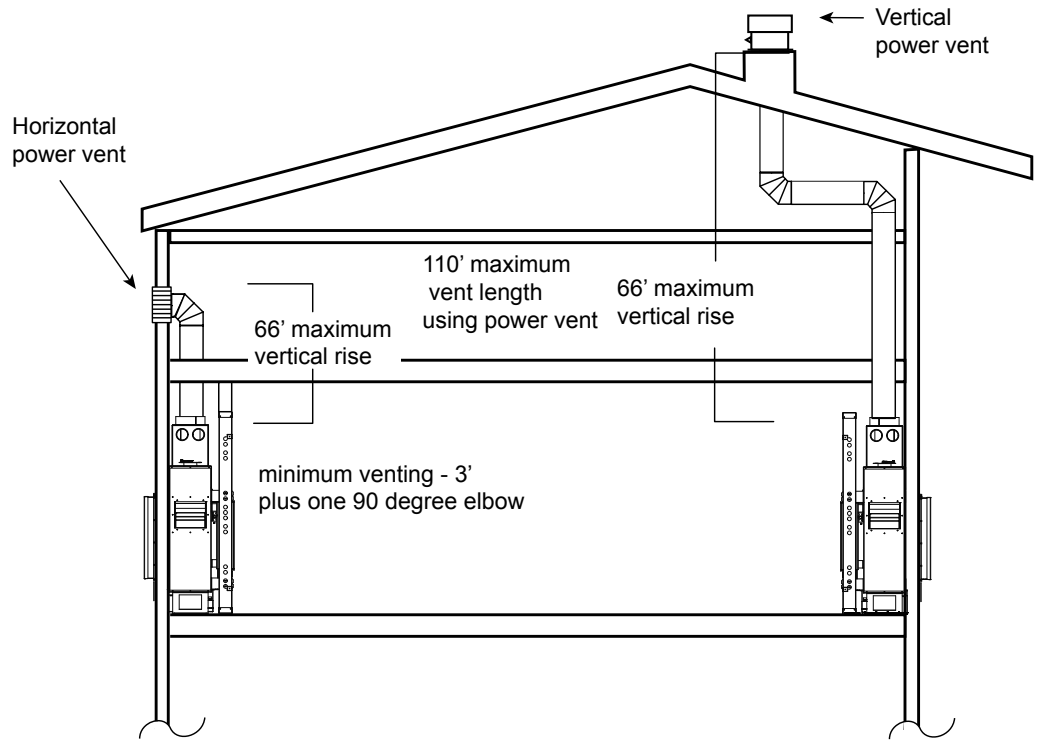


Figure 35: Venting configurations.

# Minimum Vent Length Chart

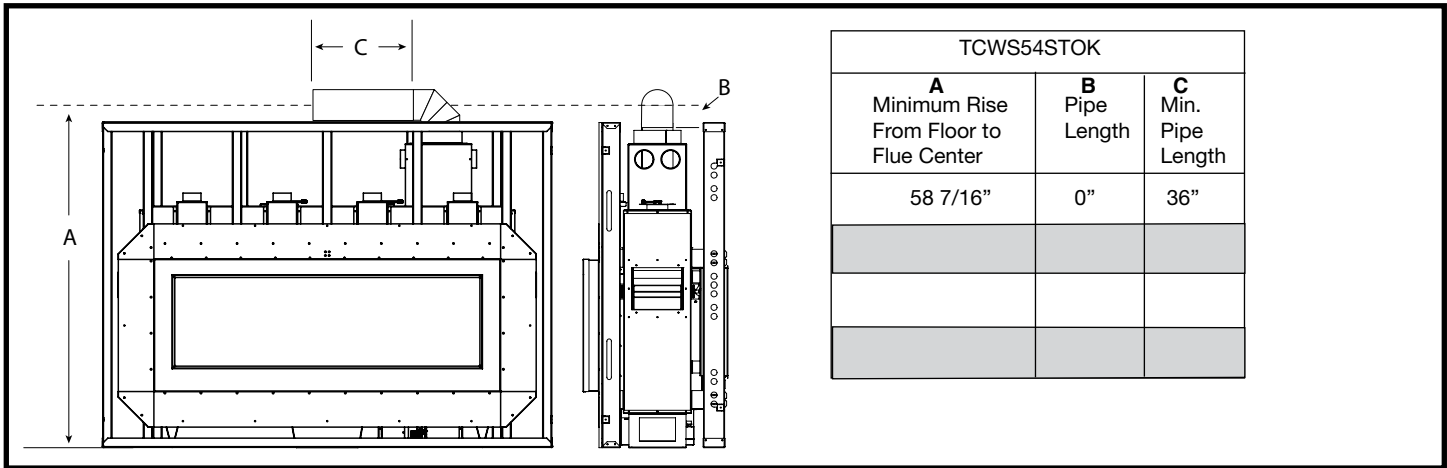


Figure 36: Minimum pipe length.

# Vent Terminal Minimum Clearances

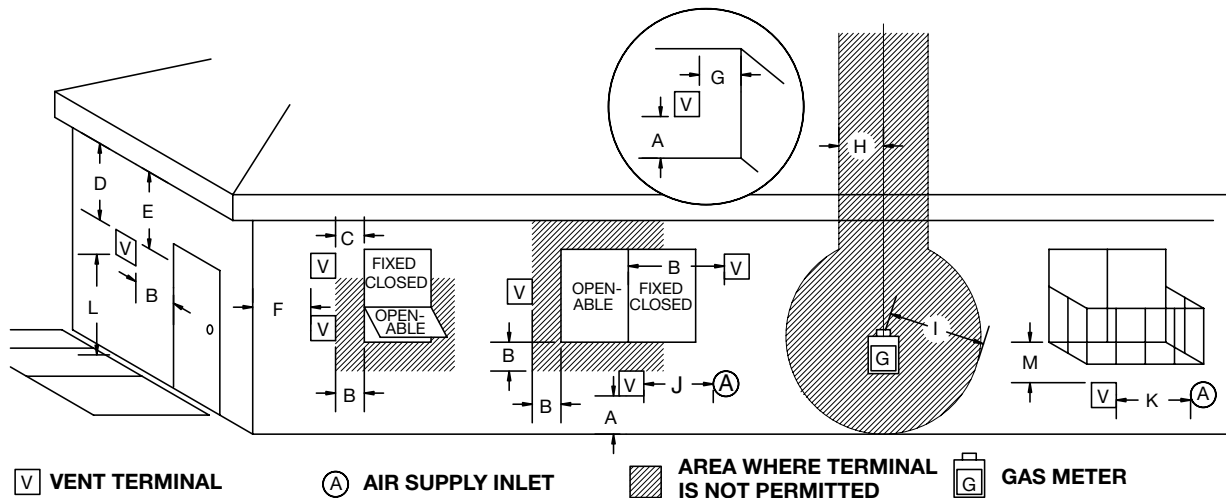


Figure 37: Vent terminal minimum clearances.

A=	*12 inches (30 cm) min.	Clearances above grade, veranda, porch, deck, or balcony
B=	*12 inches (30 cm) min.	Clearance to window or door that may be opened
C=	12 inches (30 cm) min.	Clearance to permanently closed window recommended to prevent condensation on window
D=	24 inches (60 cm) min.	Vertical clearance to ventilated soffit located above the terminal within a horizontal distance of 2 feet (60 cm) from the edge of the terminal
E=	0 inches (0 cm) min.	Clearance to unventilated soffit
F=	6 inches (15 cm) min.	Clearance to outside corner
G=	3 inches (7.5 cm) min.	Clearance to inside corner
H=	3 feet (90 cm) min.	*Not to be installed above a meter/regulator assembly within 3 feet (90 cm) horizontally from the center-line of the regulator
I=	*6 feet (1.8m) min.	Clearance to service regulator vent outlet
J=	*12 inches (30 cm) min.	Clearance to non mechanical air supply inlet to building or the combustion air inlet to any other appliance
K=	*6 feet (1.8 m) min.	Clearance to a mechanical air supply inlet
L=	*7 feet (2.1 m) min.	^ Clearance above paved side-walk or a paved driveway located on public property
M=	0 inches (0 cm) min	Clearance under veranda, porch, deck, or balcony

^ a vent shall not terminate directly above a side-walk or paved driveway which is located between two single family dwellings and serves both dwellings\*  
 \*\* only permitted if veranda, porch, deck, or balcony is fully open on a minimum of 2 sides beneath the floor\*  
 \* as specified in CGA B149 Installation Codes, Note: local Codes or Regulation may require different clearances  
 \* for U.S.A. Installations follow the current National Fuel Gas Code, ANSI Z223.1

# Venting Components

## SIMPSON DURAVENT COMPONENTS

Number	Description
1208	6" Pipe Length
1207	9" Pipe Length
1206	12" Pipe Length
1204	24" Pipe Length
1203	36" Pipe Length
1202	48" Pipe Length
1211	11" to 14-5/8" Pipe, Adjustable
1217	4-10" Pipe, Adjustable
1245	45° Elbow
1290	90° Elbow
1240	Round Ceiling Support /Wall Thimble Cover
1241	Cathedral Ceiling Support Box
1242	Wall Firestop
1247	Wall Thimble
1263	Ceiling Firestop
1288	Wall Strap

## SECURE VENT COMPONENTS

Number	Description
SV5L6	6" Pipe Length
SV5L12	12" Pipe Length
SV5L24	24" Pipe Length
SV5L36	36" Pipe Length
SV5L48	48" Pipe Length
SV5LA	6" Pipe, Adjustable
SV5LA12	12" Pipe, Adjustable
SV5LA24	24" Pipe, Adjustable
SV5E45	Swivel 45° Elbow
SV5E90	Swivel 90° Elbow
SV5CSB	Adjustable decorative sq. cathedral support
SV5AC	Collar for decorative sq. cathedral support
SV5SU	Universal support
SV5SD	Floor support
SV5BM	Wall band
SV5RSA	Attic radiation shield
SV5RSM	Wall radiation shield
SV5BF	Firestop

## SELKIRK DIRECT-TEMP

Number	Description
1605006	6" Pipe Length
1605009	9" Pipe Length
1605012	12" Pipe Length
1605018	18" Pipe Length
1605024	24" Pipe Length
1605036	36" Pipe Length
1605048	48" Pipe Length
1605082	4-10" Pipe, Adjustable
1605215	45° Elbow
1605230	90° Elbow
1605424B	Cathedral ceiling support box (blk)
1605500	Firestop spacer
1605460B	Wall thimble (blk)
1605430	Wall support band

## ICC MODEL EXCELDIRECT

Number	Description
TC-5DL6	6" Pipe Length
TC-5DL1	12" Pipe Length
TC-5DL2	24" Pipe Length
TC-5DL4	48" Pipe Length
TC-5DLF	36" Flexible Length
TC-5DLT	12" Pipe, Adjustable, Galvalume
TE-5DE45	Swivel 45° Elbow, Galvalume
TE-5DE90	Swivel 90° Elbow, Galvalume
TM-5SS	Square Support / Radiation Shield
TM-5RDS	Round Support / Radiation Shield
TM-5CS	Ceiling Support / Firestop
TM-OS	Offset Support
TM-SR	Roof Support
TM-WS	Adjustable Wall Support
TM-5WT	Insulated Wall Thimble
TM-5TR	Trim Ring, Black
TM-5AS	Attic Radiation Shield / Firestop



## Vent Pipe Sealant

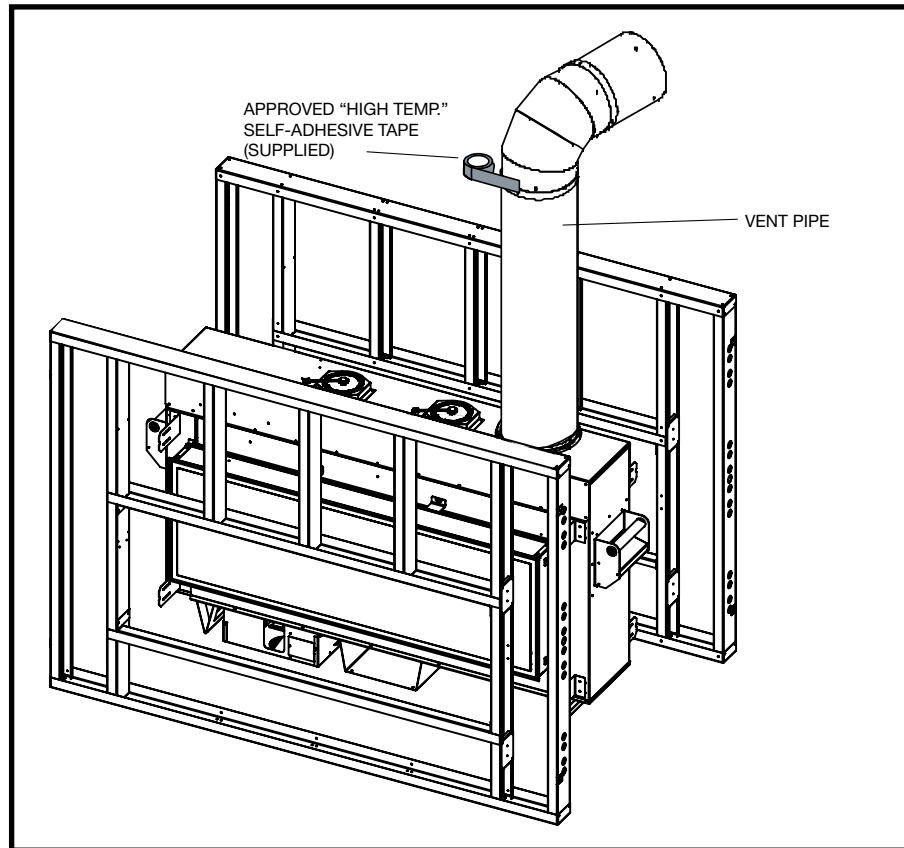


Figure 38: Taping vent pipe.

All outer joints of the vent pipe must be sealed with the approved "High Temperature" self-adhesive aluminium tape provided. Wrap the tape completely around the joint and press firmly in place.

Inner pipe does not need to be sealed.

# Optional Tranquility Burner

## Contents of Package:

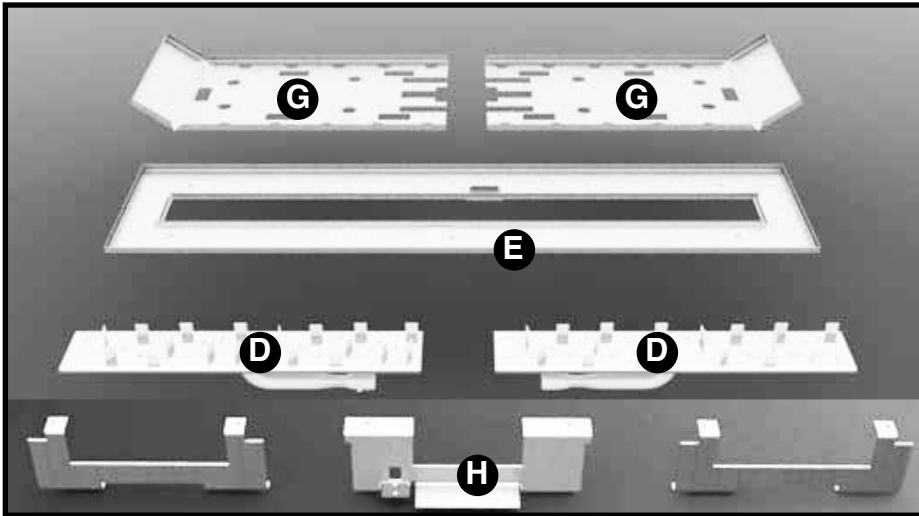


Figure 39: Tranquility kit components.

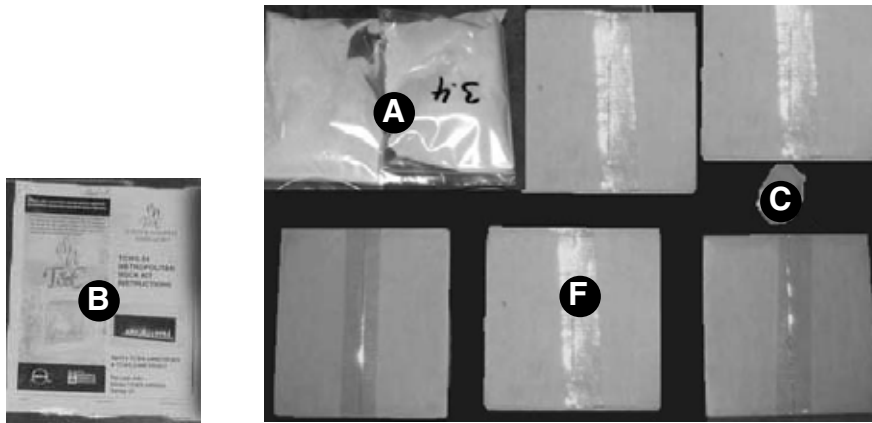


Figure 40: NGST04 Media contents.

- (A)** 2 3.4 lbs sand
- (B)** 1 Hardware pack
- (C)** 1 Pilot rock
- (D)** 2 Burner assemblies
- (E)** 1 Burner tray assembly
- (F)** 5 Pebble sets
- (G)** 2 Secondary floor halves without lights
- (H)** 3 Tray legs

## Installation:

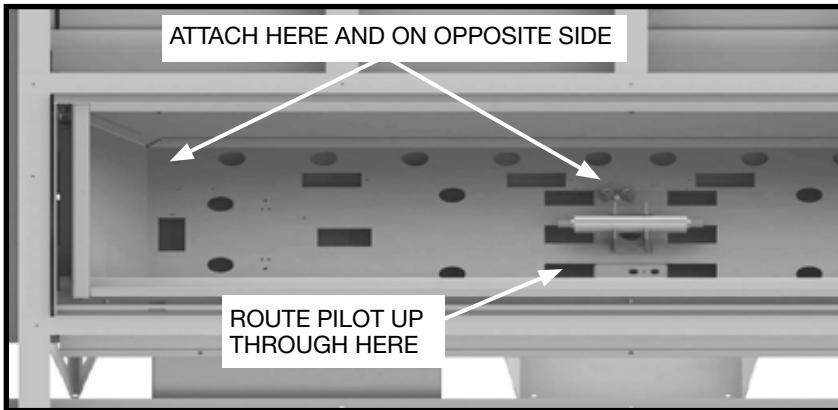


Figure 41: ngo4 Secondary floor installation.

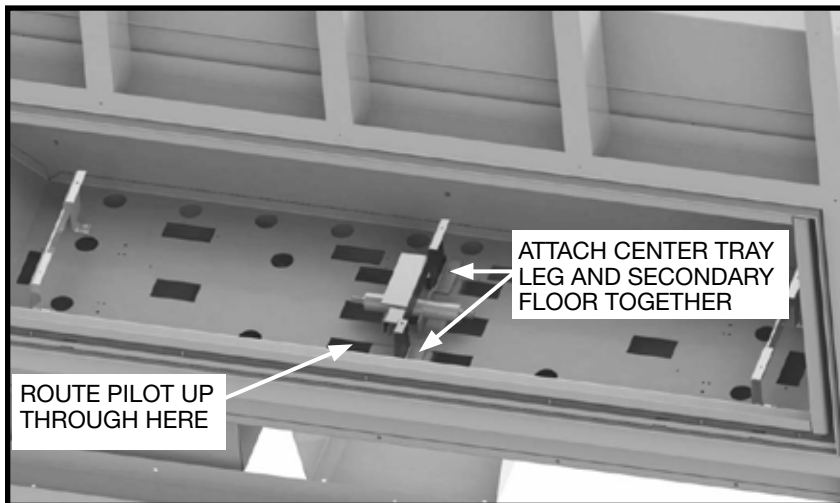


Figure 42: ngo4 Tray leg installation.

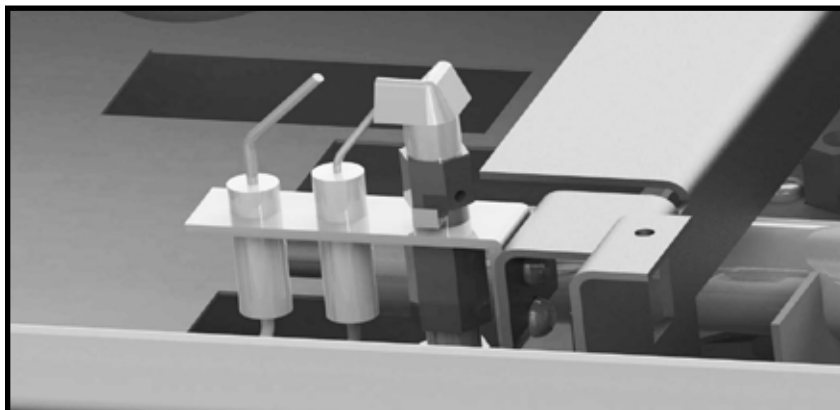


Figure 43: ngo4 Pilot positioning.

**If converting to propane see conversion instructions on “Propane Conversion” on page 32 before proceeding.**

1. Install one side of the secondary floor as shown. Repeat with the other side but do not put in the two center screws until you put the center tray leg in place (Figure 41 and Figure 42).

2. Attach tray legs as shown in Figure 42. The center tray leg and the right side of the secondary floor are attached with the same screws to the center floor leg.

3. Attach pilot to center tray leg (Figure 43)

**NOTE: CHECK AIR SHUTTER FOR CORRECT FUEL SETTING BEFORE PROCEEDING FURTHER. BOTH BURNERS ARE THE SAME. FULLY CLOSED FOR NATURAL GAS. 13/64 (0.2) OPEN FOR LP.**

4. Install burners as shown in Figure 44. Be sure to engage the venturis onto the orifices in the manifold and rest burners together on the center tray leg.

**TIP: A light will aid aligning the holes in the tray with the leg.**

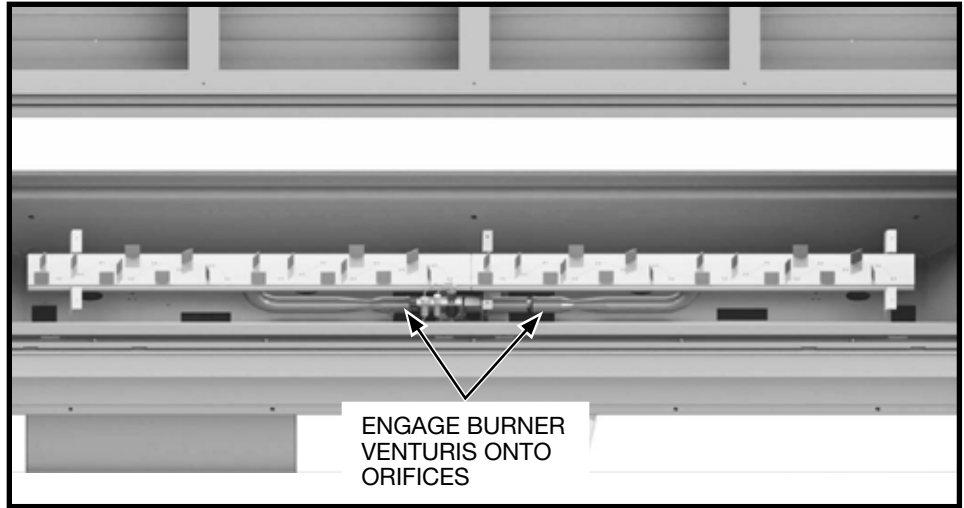


Figure 44: ng04 Burner installation.

**CAUTION: The burners should be tightly butted up against each other at the center to ensure correct operation.**

5. Remove the panel retainer clips from inside the firebox and install the side panels. Replace the panel retainer clips (Figure 45 and Figure 46).



Figure 45: Panel retainer clip.

**NOTE: PROCEED TO AND FOLLOW INSTRUCTIONS IN "Gas Pressure Check" on page 42 BEFORE INSTALLING BURNER TRAY AND MEDIA.**



Figure 46: Side panel install.

6. Install burner tray as shown in Figure 47 using 8 screws. Secure tray around pilot first then the other 6 screws.

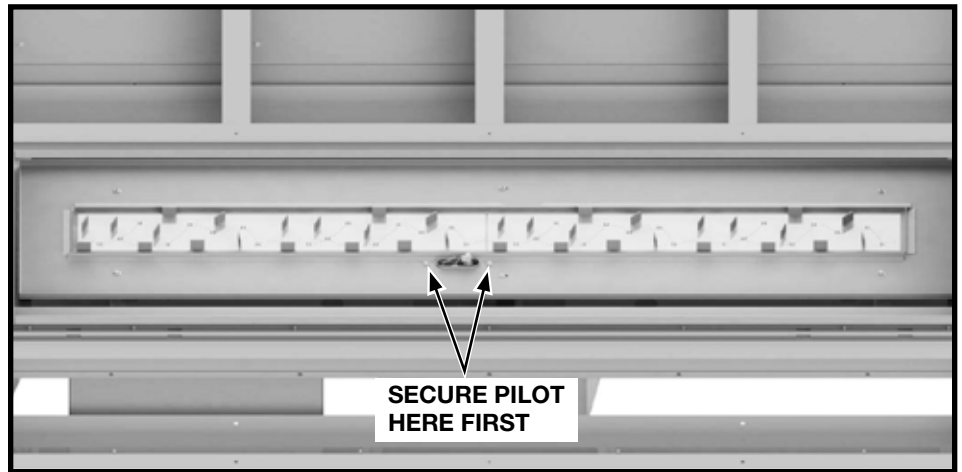


Figure 47: ng04 Securing pilot.

7. Place sand into the burner tray and brush smooth. Use caution not to get sand near the burner ports (Figure 48).



Figure 48: Smoothing sand with brush.

8. Each rock has a slot in its base and is marked with a letter and an arrow (Figure 49). The rocks must be positioned so that the arrows face the same way.



Figure 49: Bottom of rock with arrow.

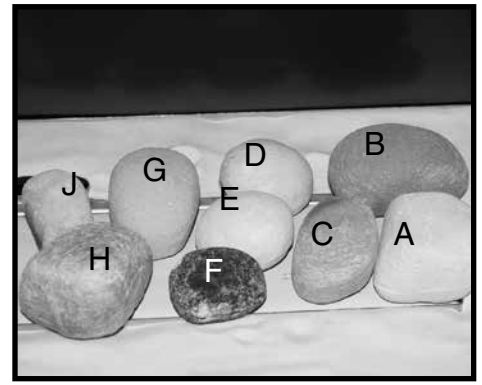


Figure 50: Single set of rocks.

9. **From the outdoor side of the fireplace,** place each rock as per the following photographs, start from the right hand side of the burner and ensure that the arrow on each rock points towards the same side of the fireplace.  
Figure 51 to Figure 59.

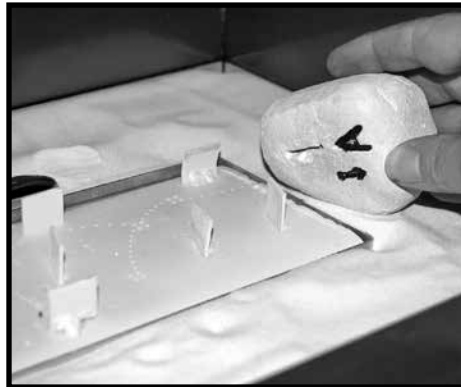


Figure 51: Rock A right side.

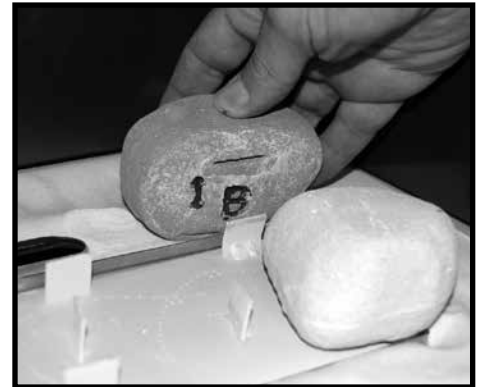


Figure 52: Rock B.

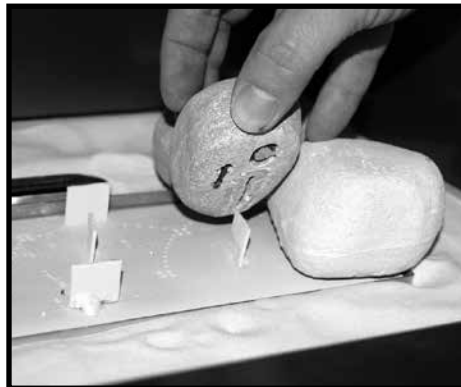


Figure 53: Rock C.

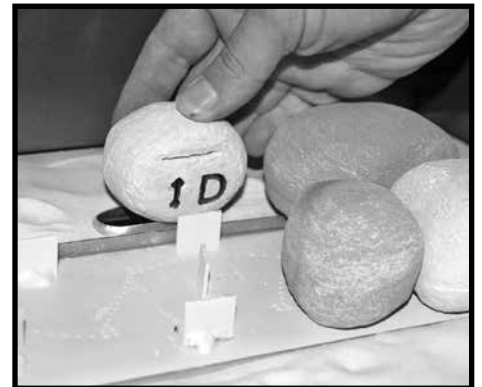


Figure 54: Rock D.



Figure 55: Rock E.



Figure 56: Rock F.

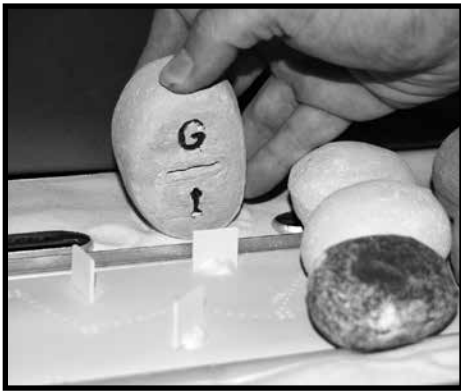


Figure 57: Rock G.

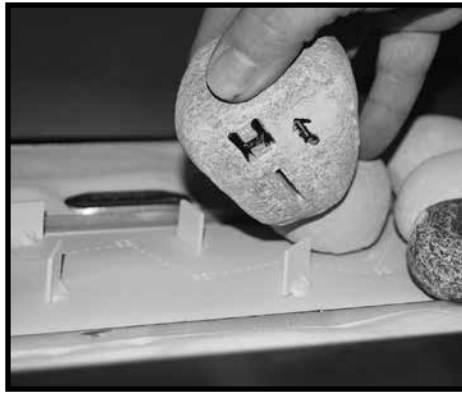


Figure 58: Rock H.



Figure 59: Rock J.



Figure 60: Rock A left side.



Figure 61: Rock B left side.

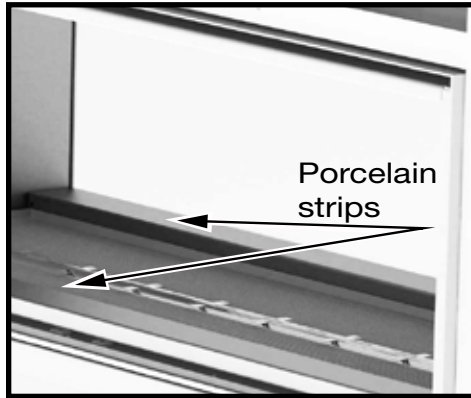


Figure 62: porcelain strips.

10. Repeat the sequence of placing the rocks three more times until the burner is covered.
11. Place the fifth set of rocks randomly around the burners in the sand as desired.
12. Place the pilot rock over the pilot with the opening facing the center of the burner .
13. Install porcelain cover strips that are supplied with the panel set (narrow edge should face the center of the fireplace (Figure 62 and Figure 63).

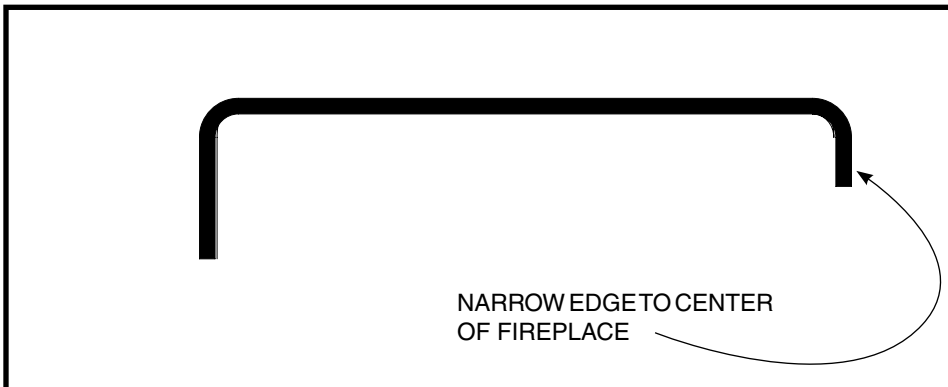


Figure 63: Porcelain strip profile.

# Propane Conversion

If the unit is to be used on propane convert as follows using the components supplied with the burner:

## CAUTION

The gas supply and electrical power shall be shut off before proceeding with the conversion.

### Note:

Factory supplied components must be used to ensure correct input. After conversion confirm proper manifold pressure.



Figure 64: Orifices.



Figure 65: Burner tray.

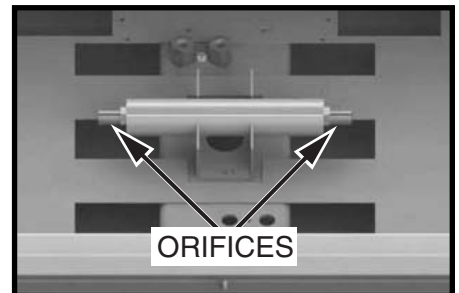


Figure 66: Orifice Removal.

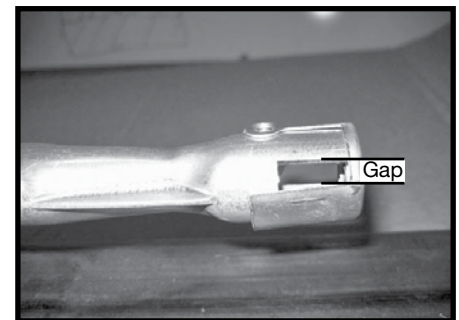


Figure 67: Primary air shutter.

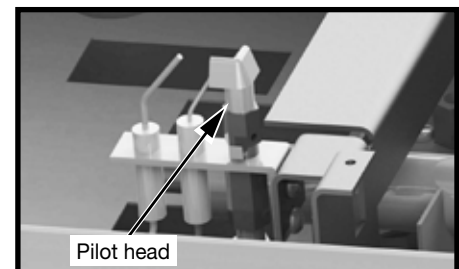


Figure 68: Pilot assembly.

## WARNING

This conversion kit shall be installed by a qualified service agency in accordance with the manufacturer's instructions and all applicable codes and requirements of the authority having jurisdiction.

If the information in these instructions is not followed exactly, a fire, explosion or production of carbon monoxide may result causing property damage, personal injury or loss of life.

The qualified service agency is responsible for the proper installation of this kit.

The installation is not proper and complete until the operation of the converted appliance is checked as specified in the manufacturer's instructions supplied with the kit.

1. If installed remove the sand and rocks from the burners.

2. If installed remove the burner tray. (8 screws) (Figure 65).

3. Remove burners by gently lifting up the end and disengaging from the orifice.

4. Remove access panel beneath the burners in order to remove the gas valve motor head stepper motor. (See SIT conversion kit instruction book for complete conversion instructions).

5. Using a 1/2" wrench, undo the natural gas burner orifice, (marked #32).

Apply a small amount of pipe joint compound to the threads of the propane burner orifice (marked #51) to ensure a good seal, before screwing it into the manifold.

Loosen the primary air shutter screw, open shutter to give a gap of 13/64" (0.2") and re-tighten. Repeat on other burner (Figure 67)

6. With a 7/16" wrench loosen the pilot head on the pilot assembly. (Figure 68)



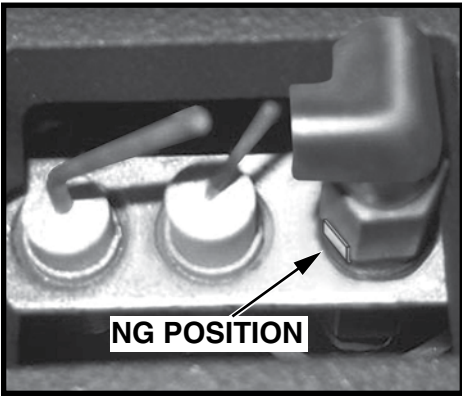


Figure 69: Pilot adjustment band in natural gas position.

- Slide the pilot adjustment band over and ensure that the hole in the orifice band is showing.

Figure 69 shows NG position

Figure 70 shows LP position.

- Fill in the date and the name of the person who performed the conversion in the white area on the conversion label (sample below). Peel off the protective backing and apply the conversion label directly over the gas specifications on the rating label.

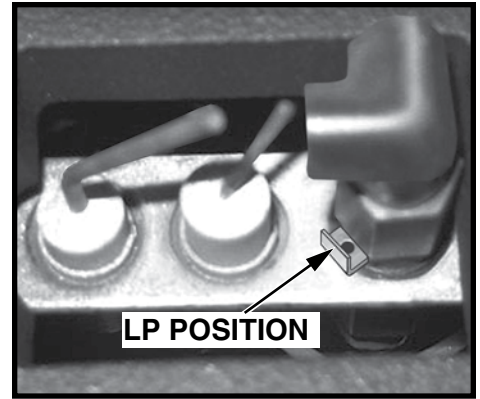


Figure 70: Pilot adjustment band in liquid propane position.

- Re-attach the access panel to the floor of the firebox with the screws previously removed then replace the secondary floor and install or reinstall the burners, burner tray and media.

**WARNING: Both the control box shield and the access panel must be reinstalled after conversion/ installation or servicing has been completed. Failure to do so will overheat and cause premature failure of the control system.**

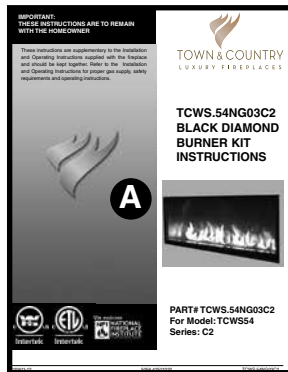
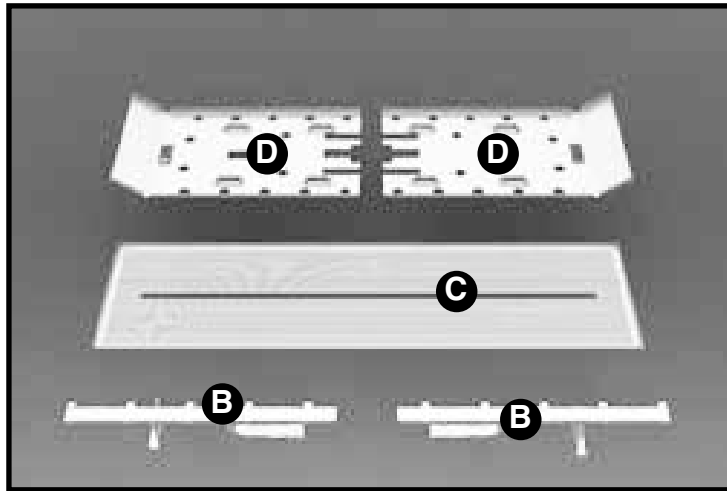
	Kit # TCWS54ST_D.LP for use with model:	TCWS54ST
	Pour utilise avec du modèle:	TCWS54ST
Date:		Series D
By / Par:		<b>PACIFIC ENERGY</b>
<b>LP GAS/ DU GAZ LP</b>		This appliance was converted to PROPANE GAS with this kit on this date by the organization which accepts the responsibility that this conversion has been properly made. / Cet appareil etair convertir au gaz LP par l'emploi de la trousse de conversion par une organisation qui accepte la responsabilité pour une installation en bon état.
12.5 in/wc / 12.5 po/c.e. (3.11 kPa)		
13.9 in/wc / 13.9 po/c.e. (3.45 kPa)		
10.0 in/wc / 10.0 po/c.e. (2.49 kPa)		
1.78 mm		
Max.: 62,000Btu (18.1kw)		071014 6-TCWS54ST_D 5052.52089D
Min.: 49,000Btu (14.3kw)		

Update the LP conversion sticker after conversion is finished

**For complete valve conversion installation instructions, refer to the instruction book included in the SIT conversion kit.**

# Optional Twilight Diamond Burner

## Contents of Package:



- A** 1 Hardware pack
- B** 2 Burner assemblies
- C** 1 Burner tray assembly
- D** 2 Secondary floor halves with lights

## Installation:

If converting to propane see “Propane Conversion” on page 32 before proceeding.

1. Install the secondary floor on the side away from the gas connections first.
2. Insert the wires leading from the secondary floor half through one of the grommets in the bulkhead plate.
3. On the bulkhead side, tilt the floor approximately 45 degrees and insert the wires from the floor through the rubber grommet in the bulkhead plate (Figure 71).
4. Insert the pilot up through the pilot hole then lower and secure the secondary floor half in place.
5. Place the first burner as shown in Figure 72. Be sure to engage the venturi fully onto the orifice. Secure with single screw in burner support leg. Repeat with other burner.
6. Attach the pilot to the burner support leg as shown in Figure 73.

**NOTE:** Check air shutter for correct fuel setting before proceeding further. Both burner shutters are to be set the same, fully closed for natural gas. 13/64 (0.2)” open for LP.

**CAUTION:** The burners should be tightly butted up against each other at the center to ensure correct operation.

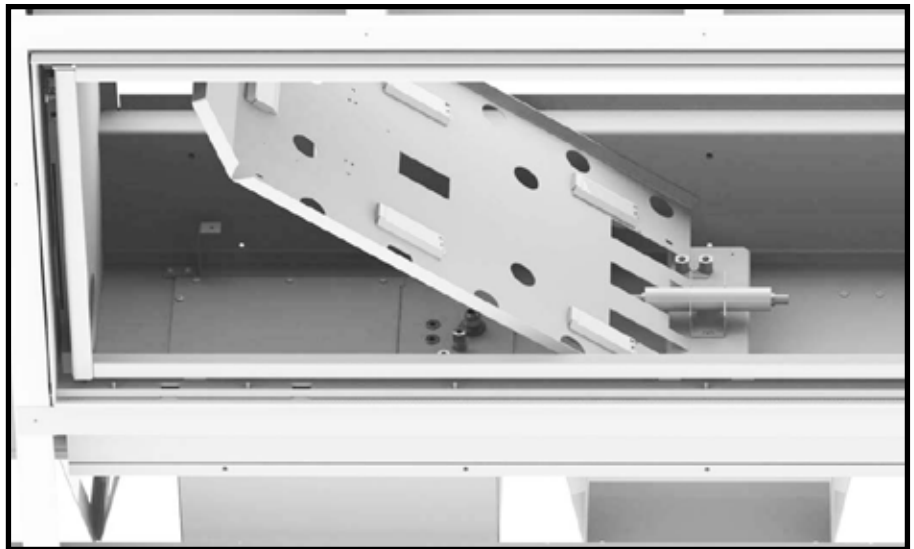


Figure 71: Installing one half of secondary floor.

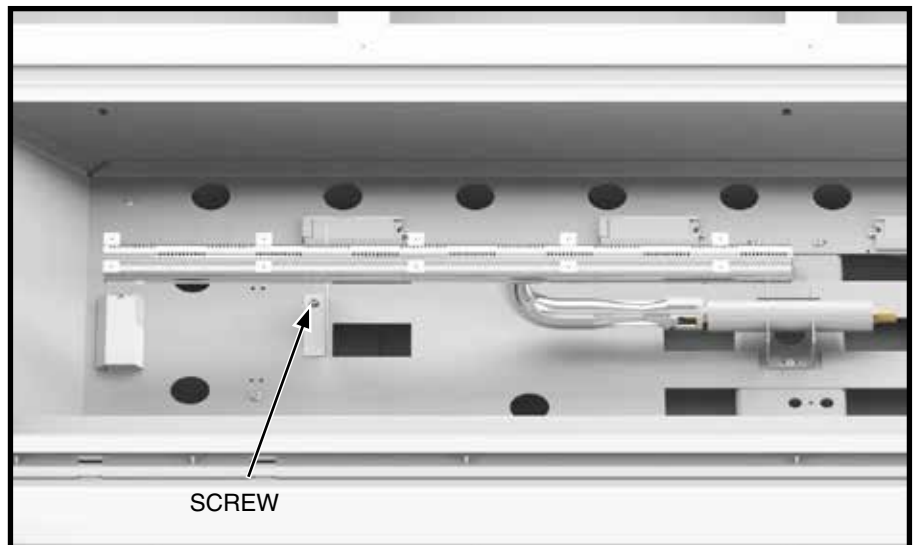


Figure 72: Installing first of two burners.

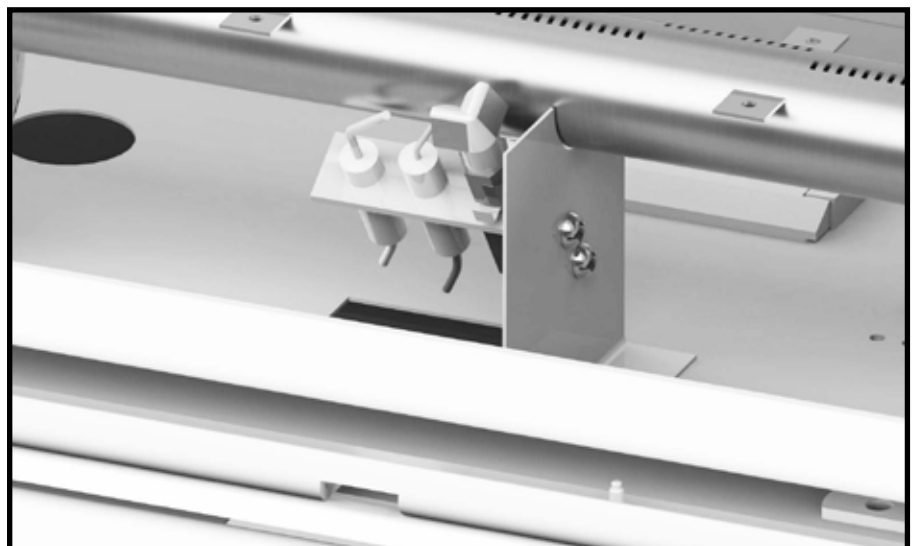


Figure 73: Attaching pilot to burner leg.

7. Remove the panel retainer clips from both sides of the upper firebox (Figure 74)
8. Insert both side panels (Figure 75)

**NOTE: PROCEED TO AND FOLLOW INSTRUCTIONS IN "Gas Pressure Check" on page 42 BEFORE INSTALLING BURNER TRAY AND MEDIA.**

9. Place mesh burner tray on top of burners and secure the tray ends to the panels first. Two screws per side. (Figure 76)

10. Secure the mesh to the burners with screws provided by screwing through mesh to each small flange on the burners, 8 per burner (Figure 76)



Figure 74: Panel retainer clip.



Figure 75: Side panel installed.

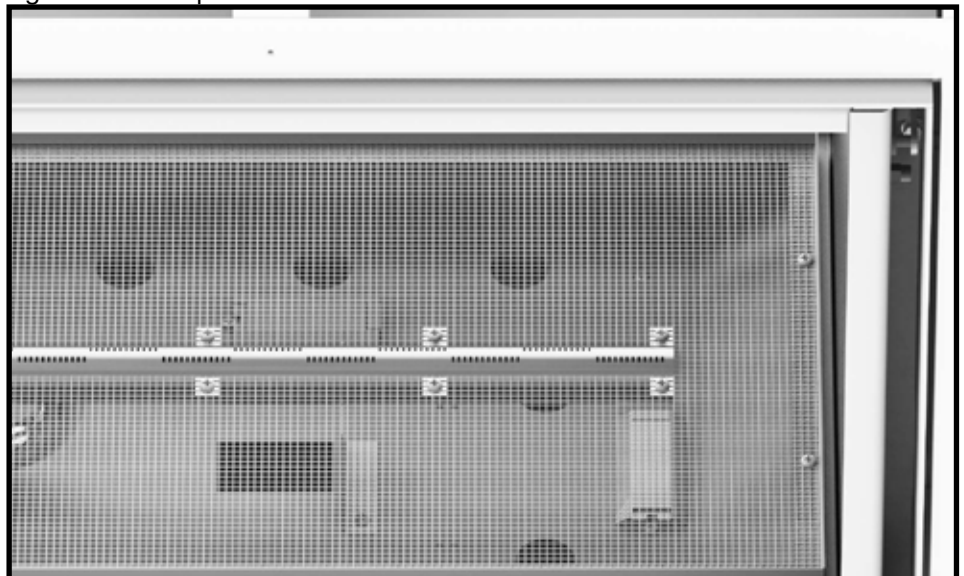


Figure 76: Mesh installation.

11. Place the two porcelain strips, supplied with the panel set, into the fireplace as shown in Figure 77 with the narrow edge facing the center of the fireplace.
12. Spread the glass media evenly over the entire mesh tray, leaving the small protrusion above the pilot clear of glass. .

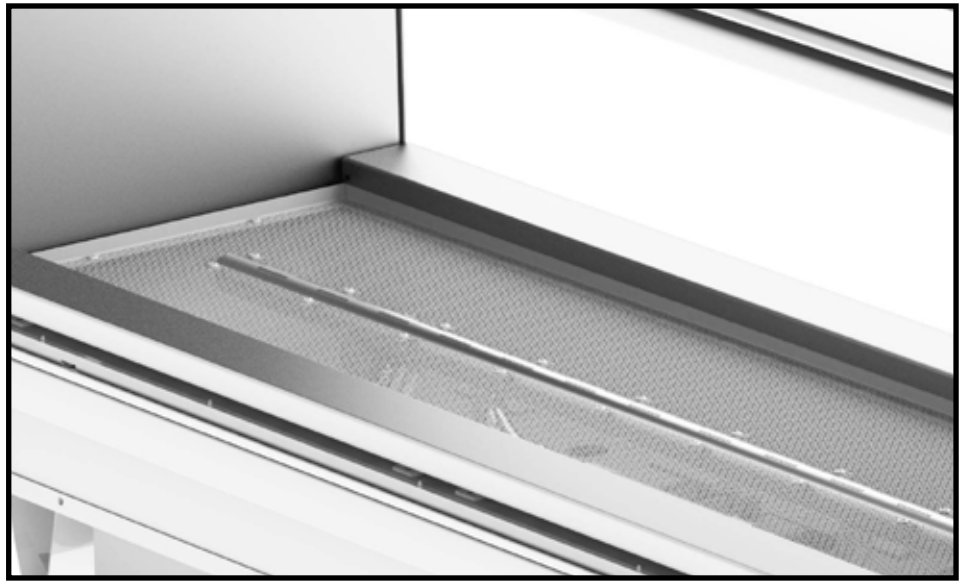
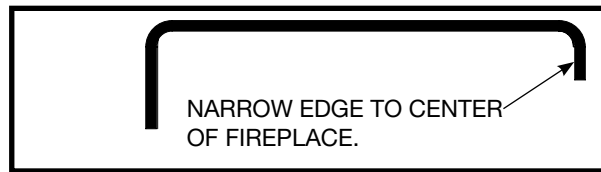


Figure 77: Positioning the porcelain strips.



## Finishing Touch Trim Kit Installation

The trim kit includes two side pieces, a top piece, and a bottom meshed piece which will be placed onto the fireplace floor and in front of the glass once the fireplace door is installed.

### Installation (Indoor side only)

1. With the door in place, begin by setting out the two side trim pieces and the top piece. Each of these three trim pieces require 2 small button magnets which are included with the trim pieces.
2. Install the two side trim pieces first using two smaller magnets on each piece as shown in Figure 78 and Figure 79.

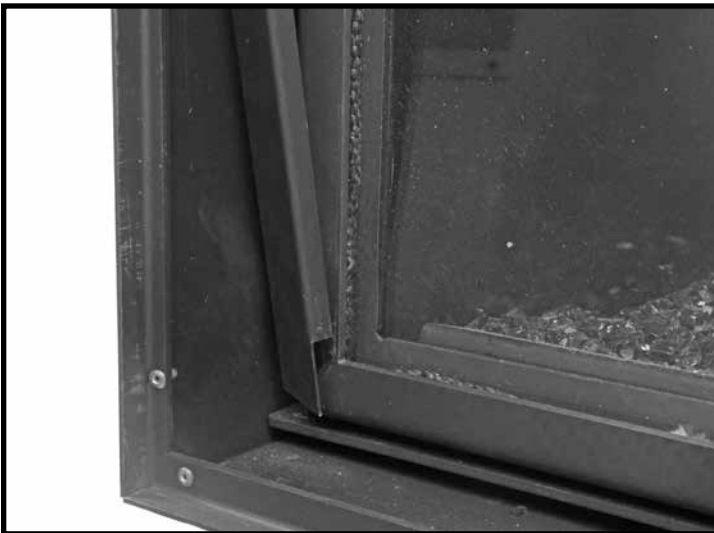


Figure 78: Installing the side trim.



Figure 79: Side trim in place.



Figure 80: Installing top trim.



Figure 81: Top trim in place.

3. Install the top trim piece over top of the two side trim pieces using two larger magnets (Figure 80 and Figure 81).

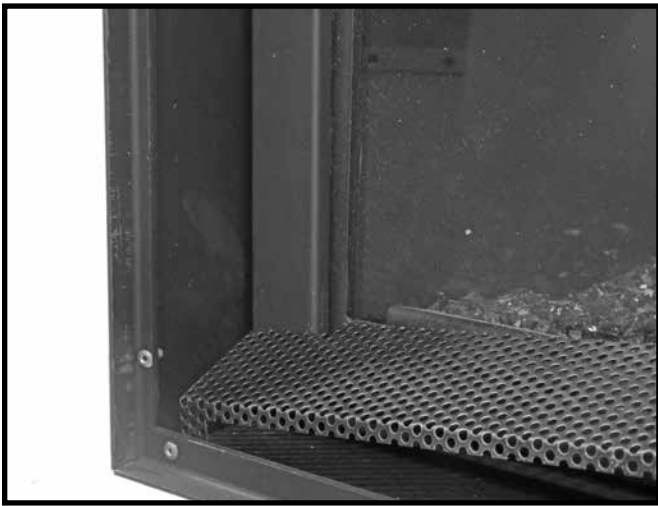


Figure 82: Installing bottom trim.

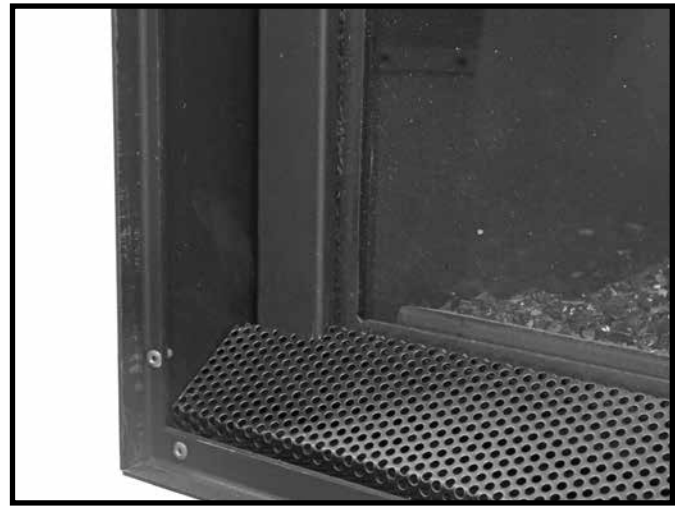


Figure 83: Bottom trim in place.

4. The meshed trim piece for the bottom rests on the floor and in the gap between the outer-most door frame and the fireplace glass (Figure 82 and Figure 83)..



Figure 84: Town & Country magnetic badge.



Figure 85: T&C badge on right side of trim piece.

5. The trim kit comes with a Town & Country badge (Figure 84). Affix this badge to the right hand side of the lower meshed trim piece as shown in Figure 85.
6. Attach the magnetic safety barrier screen (Figure 86) to the outer-most door frame.

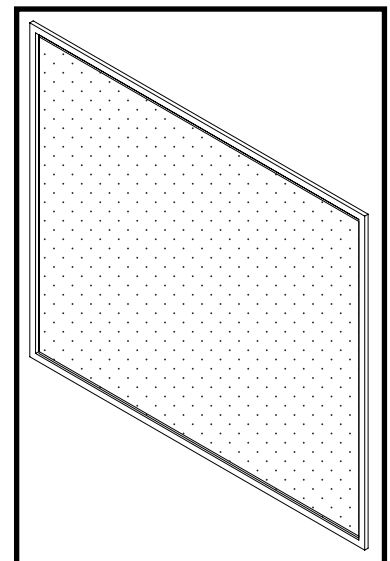


Figure 86: T&C safety barrier screen.

## — Wiring instructions for the TC54ST Twilight Burner kit —

To connect the lighting wires for the Twilight burner plate, do the following:

- With the control compartment to your left, place the right-hand secondary floor plate in place and route the two wires from the lights to the left side of the firebox (Figure 87). Feed the two wires down through the left most grommet in the gas control compartment cover (Figure 88).
- From inside the control compartment, continue to route the wires through one of the electrical knockouts located in the electrical connection compartment cover (Figure 89).
- For the right hand secondary floor lighting, route the wires through the same grommet and into the electrical connection box (Figure 90).
- Connect the wires to a switched 120 VAC, 60Hz, 3A power supply, one pair made up of one wire from the left and one wire from the right light set to the “HOT” incoming line. The remaining pair to the “Neutral” incoming line (Figure 91).

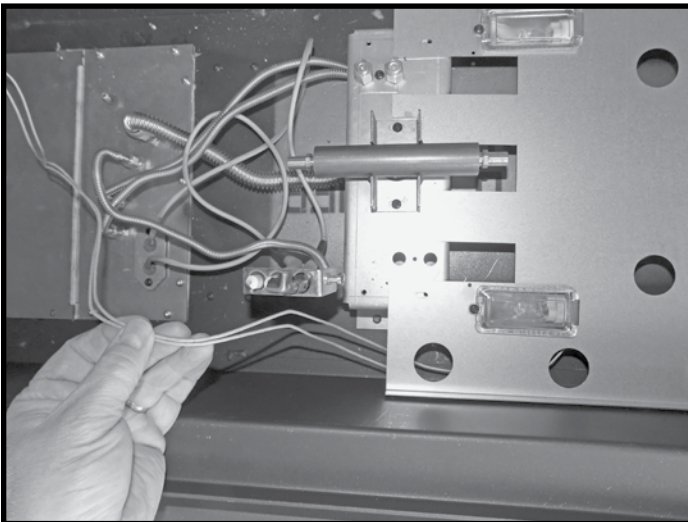


Figure 87: Right hand plate in place with its wires brought out from under it.

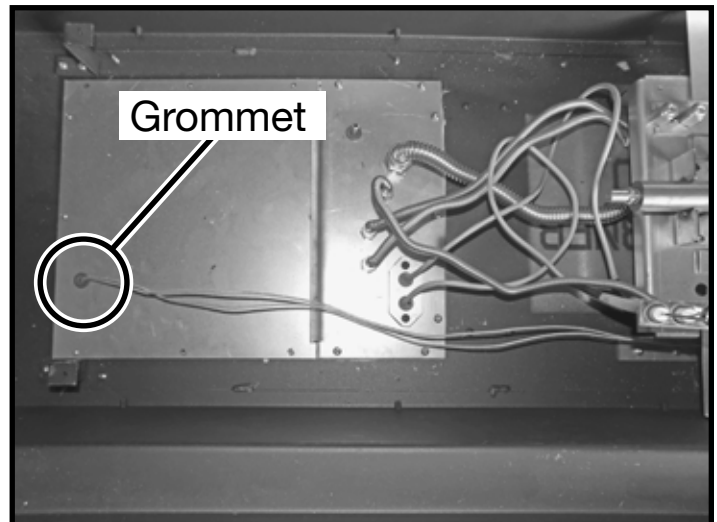


Figure 88: Wires through grommet.



Figure 89: Threading wires through knockout.

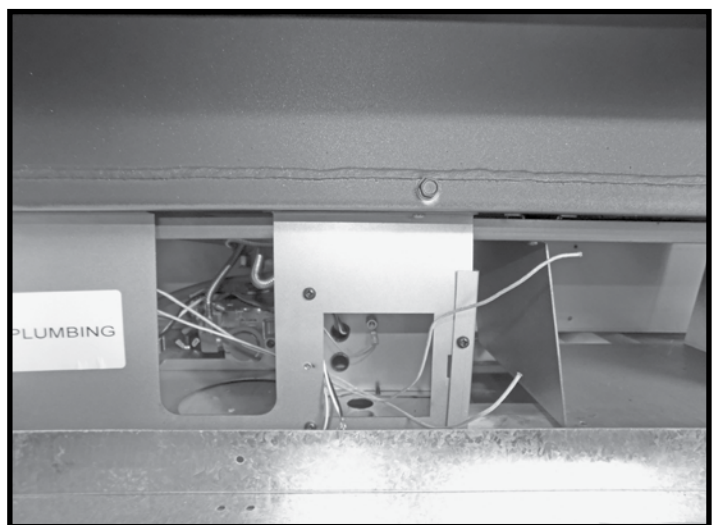


Figure 90: Bringing wires through front plate.



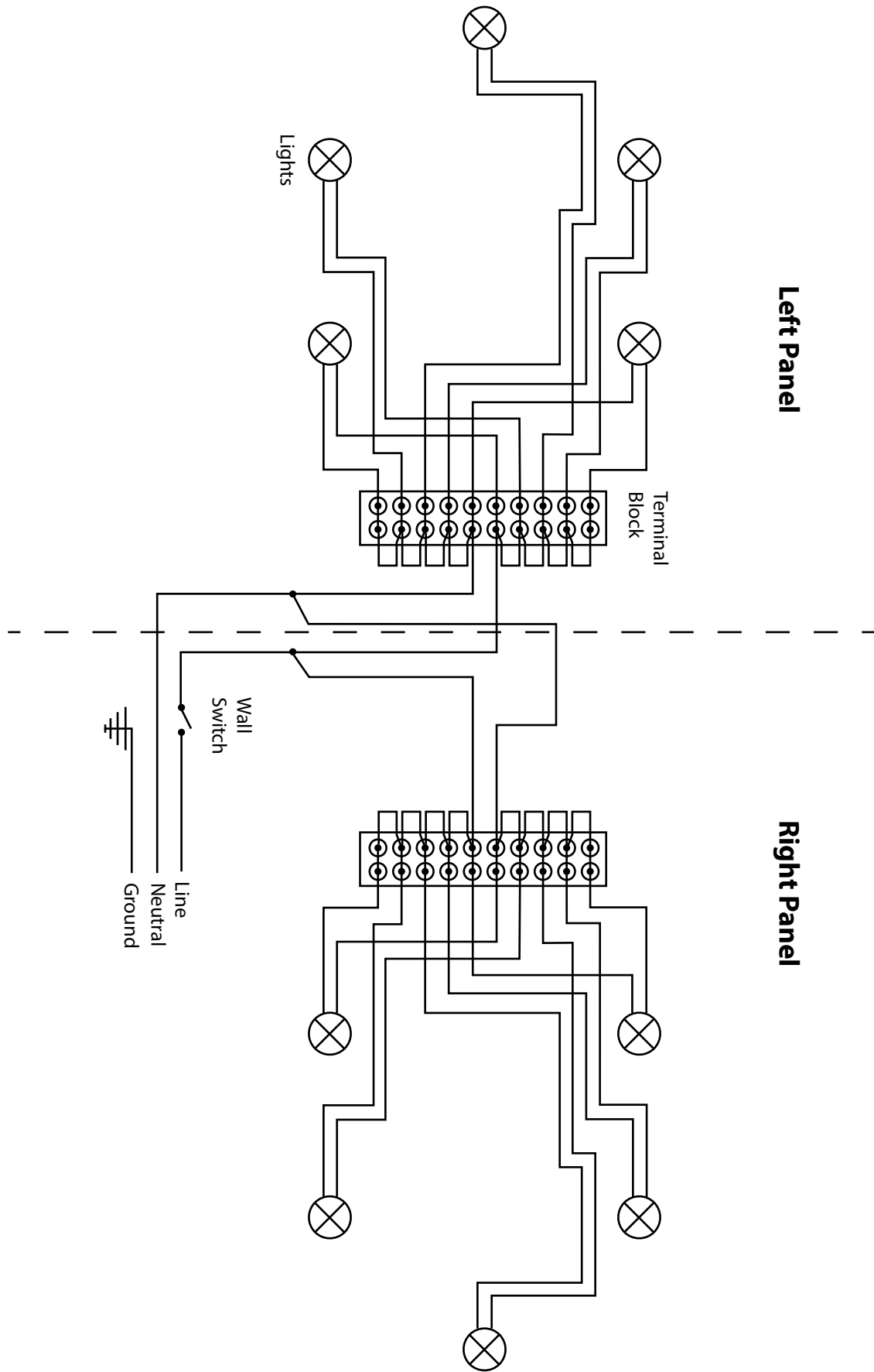


Figure 91: TCWS54ST lights wiring diagram.

# Gas Pressure Check

**Note:** To test the gas pressure, turn off the gas supply before removing the plug from the supply pressure test port or manifold pressure test port.

Verify gas pressures with the fireplace lit and on the highest setting.

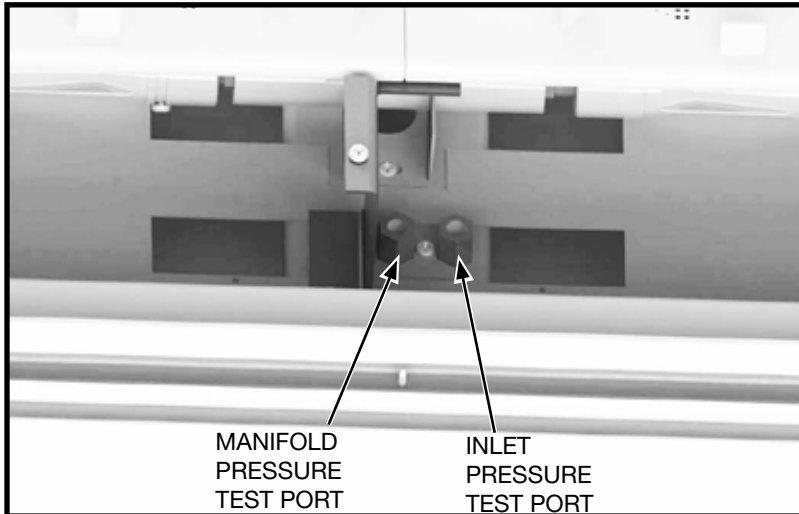


Figure 92: Pressure test ports.

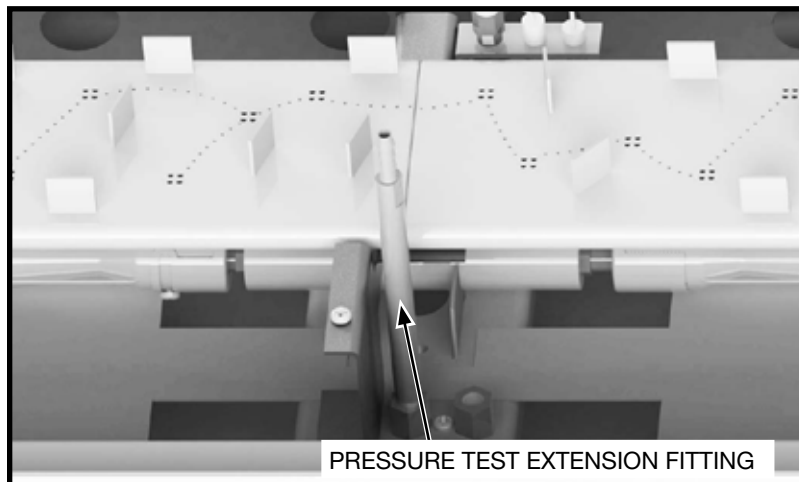


Figure 93: Pressure test extension fitting.

1. If installed, remove all media and the burner tray.
2. Remove the plug from the pressure test port using a 3/16" hex key. The pressure test ports are located next to the center tray leg opposite from the pilot (Figure 92).
3. Thread the extension test fitting into the open port (Figure 93).
4. Attach a pressure gauge onto the fitting and rest the gauge on secondary floor where it will be visible with the doors closed and unit running.
5. When testing is complete shut off the gas, remove the fitting and replace the plug. Thread sealant will be required to ensure a gas tight connection.

### Correct gas pressure requirement:

	Natural Gas	Propane
<b>Min. Pressure</b> <small>(For purpose of input adjustment)</small>	<b>5.0" WC</b>	<b>12.5" WC</b>
<b>Max. Pressure</b>	<b>13.9" WC</b>	<b>13.9" WC</b>
<b>Manifold Pressure</b>		
<b>Maximum</b>	<b>3.5" WC</b>	<b>10" WC</b>
<b>Minimum</b>	<b>1.6" WC</b>	<b>6.4" WC</b>

## Burner Flame Adjustment

The air shutter on the burner tube controls the primary combustion air. It is set to the closed position at the factory for natural gas fuel. If using liquid propane, see “Propane Conversion” on page 32. Some adjustment may be necessary to obtain desired flame and to eliminate carbon deposits. Evaluate flame appearance after the fireplace has reached operating temperature. See Figure 94 for proper flame pattern.

Open primary air if the door glass and firebox have carbon accumulation and/or the flames are long, dark and stringy. The shutter may also be opened to lessen the flame height.



Figure 94: Example of desirable flame pattern.

**NOTE:**

**Proper air shutter setting is required.**

**The flame should be just orange and “lazy”. It should NEVER be set to create sooting on internal parts and door glass.**

## Firebox Panels Installation

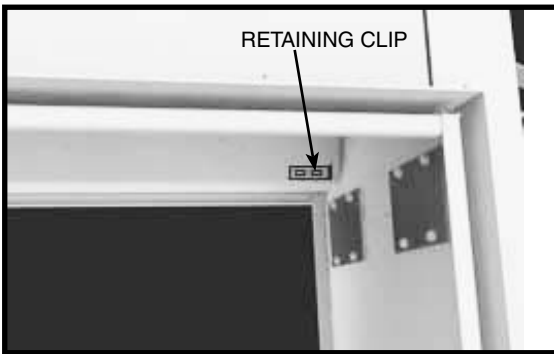


Figure 95: Retaining clip.



Figure 96: Installing side panel.

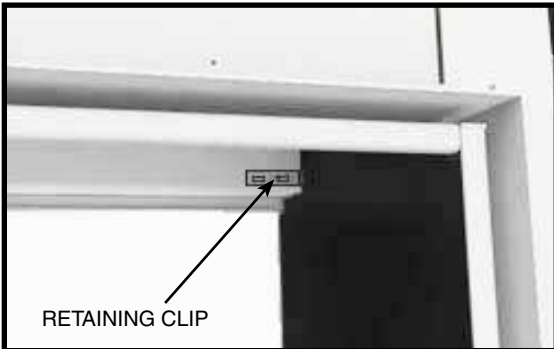


Figure 97: Securing panel with clip.

1. Remove side panel securing tabs for both sides in upper firebox (Figure 95).
2. Place bottom of side panel in first then tip up into vertical position (Figure 96).
3. Attach the side panel securing tabs previously removed. Repeat steps 2 & 3 with other side panel.
4. Place porcelain strips as shown in Figure 98.

### **NOTE: Install burner now.**

**NOTE:** The Porcelain strips, that came with your panel set, have a short flange on one long edge. This short flange should face in towards the burners and media.

PORCELAIN STRIPS



Figure 98: Installing porcelain strips.

# Lighting Instructions

## FOR YOUR SAFETY READ BEFORE LIGHTING

**WARNING:** If you do not follow these instructions exactly, a fire or explosion may result causing property damage, personal injury or loss of life.

- A. This appliance is equipped with an ignition device which automatically lights the pilot. Do not try to light the pilot by hand.
- B. **BEFORE LIGHTING** smell all around the appliance area for gas. Be sure to smell next to the floor because some gas is heavier than air and will settle on the floor.
- WHAT TO DO IF YOU SMELL GAS:**
- Do not try to light any appliance.
  - Do not touch any electric switch; do not use any phone in your building.

- Immediately call your gas supplier from a neighbour's phone. Follow the gas supplier's instructions.
  - If you cannot reach your gas supplier, call the fire department.
- C. Use only your hand to push in or turn the gas control knob. Never use tools. If the knob will not push in or turn by hand, don't try to repair it, call a qualified service technician. Force or attempted repair may result in a fire or explosion.
- D. Do not use this appliance if any part has been under water. Immediately call a qualified service technician to inspect the appliance & to replace any part of the control system & any gas control which has been under water.

## LIGHTING INSTRUCTIONS

1. **STOP!** Read the safety information above on this label.
2. This appliance is equipped with an ignition device which automatically lights the pilot. Do not try to light the pilot by hand.
3. Push the "On/ Off" switch to turn the fireplace ON.
  - If the burner does light go to step 6.
  - If the burner does not light, complete steps 4 through 5.
  - If the burner will not light or stay lit after several tries, push the "On/ Off" switch for the fireplace to OFF, turn off all electric power

- to the fireplace and call your service technician or gas supplier.
- Note: Sufficient time must be allowed for air to escape from lines if the unit is being lit for the first time.
4. Push the "On/ Off" switch to the fireplace Off.
  5. Allow sufficient length of time (minimum 5 minutes) for any gas in the combustion chamber to escape. If you still smell gas, **STOP!** Follow "B" in the safety information above on this label. If you don't smell gas, go to step 3.
  6. Set fireplace to desired setting by using hand held remote.

## TO TURN OFF GAS APPLIANCE

1. Push the "on/ off" switch to the "Off" position.

2. Turn off all electric power to the appliance and remove backup batteries if service is to be performed or for extended shutdown.

Due to high surface temperatures, keep children, clothing and furniture away. Keep burner and control compartment clean. See installation and operating instructions accompanying the appliance.

A cause de la température élevée des parois, tenir éloignés les enfants, les vêtements et les meubles. Maintenir propres le brûleur et le compartiment de commande. Voir les instructions relatives à l'installation et au fonctionnement qui accompagnent l'appareil.

**CAUTION:** Hot while in operation. Do not touch. Severe burns may result. Keep children, clothing, furniture, gasoline and other liquids having flammable vapours away. Keep burner and control compartment clean. See installation and operating instructions accompanying the appliance.

**ATTENTION:** L'appareil est chaud lorsqu'il fonctionne. Ne pas toucher l'appareil. Risque de brûlures graves. Surveiller les enfants. Garder les vêtements, le meubles, l'essence ou autres liquides produisant des vapeurs inflammables loin de l'appareil. S'assurer que le brûleur et le compartiment des commandes sont propres. Voir les instructions d'installation et d'utilisation qui accompagnent l'appareil.

---

# Maintenance

---

## **CAUTION:**

Turn off gas and electrical power supply (if applicable) and allow ample time for unit to cool before servicing appliance. It is recommended that the fireplace and its venting should be inspected at least once a year by a qualified service person.

## **Glass Panel:**

**Warning: Do not operate fireplace with glass panel removed, cracked or broken. Replacement of the glass panel should be done by a licensed or qualified service person.**

Do not strike or otherwise impact the glass in anyway that may cause it to break. If the glass becomes cracked or broken it must be replaced before using the fireplace. Replacement glass can be obtained from your nearest Town & Country Fireplaces dealer. The size required is 52" x 16-1/4" x 5mm. Use ceramic glass only. Do not substitute with any other type.

To remove broken glass, remove door frame as noted in "Door Frame Removal" section.

Unclip the Glass Retainer Clips located at the top and sides of the Window Frame. Pull the top edge of the glass out of the frame first, then lift it up and out of the bottom edge.

Install the new piece of glass with the gasket into the frame so that the thicker bead of gasket faces the fireplace.

Re-install glass retaining clips.

## **Annual Inspection:**

- a) Remove glass panel and inspect the decorative burner media (such as logs, pebbles, glass etc) for soot build up. If excessive build up of soot is present, have a qualified service person inspect and adjust the unit for proper combustion. Clean the decorative media and use a brush or vacuum cleaner to clean the burner, paying close attention to the burner ports.
- b) Check the pilot system for proper flame size and operation. Clean pilot free of soot, dust or any other deposits .
- c) Check that the vent pipe and vent terminal are open and free from blockage or debris. If the venting is disassembled for cleaning, it must be properly assembled and re-sealed. Refer to VENTING section for proper procedure.
- d) Check glass panel gasket, replace if necessary. It is important that the glass seal be maintained in good condition.
- e) Check and replace batteries as needed.

**Note:** The appliance area must be kept clear and free from combustible materials, gasoline and other flammable vapours and liquids.

## **Periodically:**

- a) Viewing glass may be cleaned as necessary with fireplace glass cleaner.
- b) Exterior finish may be cleaned with mild soap and water.

## **CAUTION:**

Do not use abrasive cleaners on glass or any other part of the fireplace.

Do not clean glass when hot.

## Indoor/outdoor Installation kit

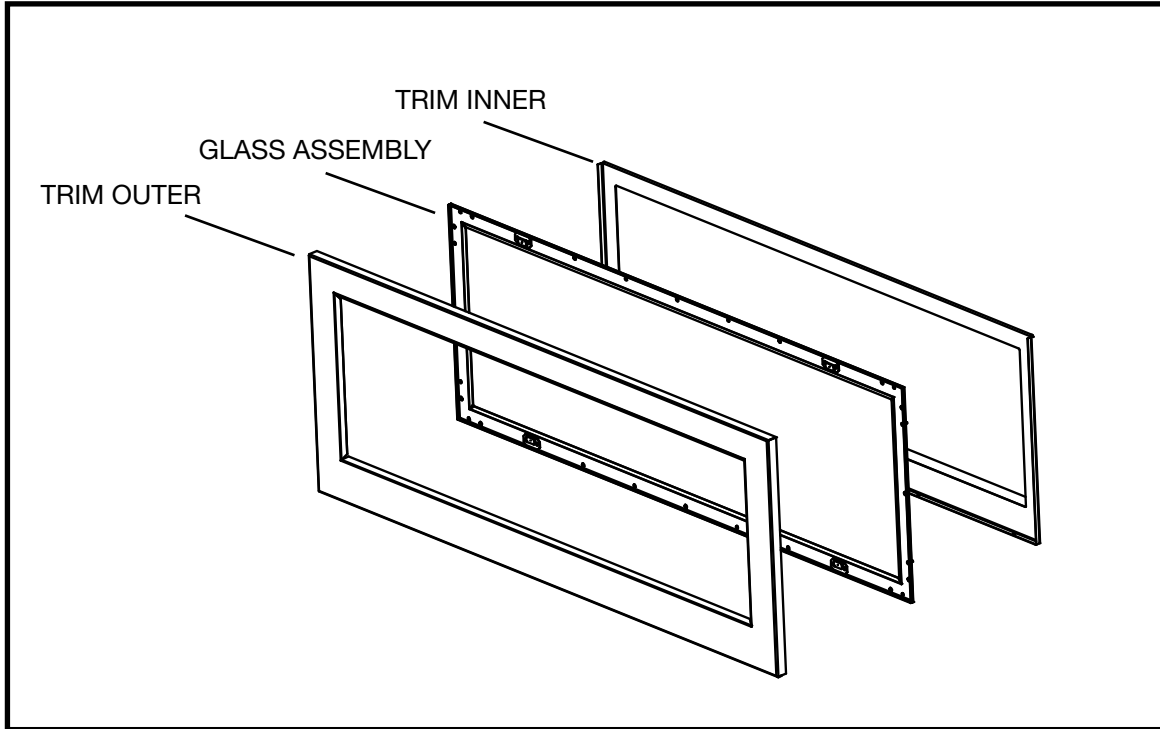


Figure 99: Door trim.

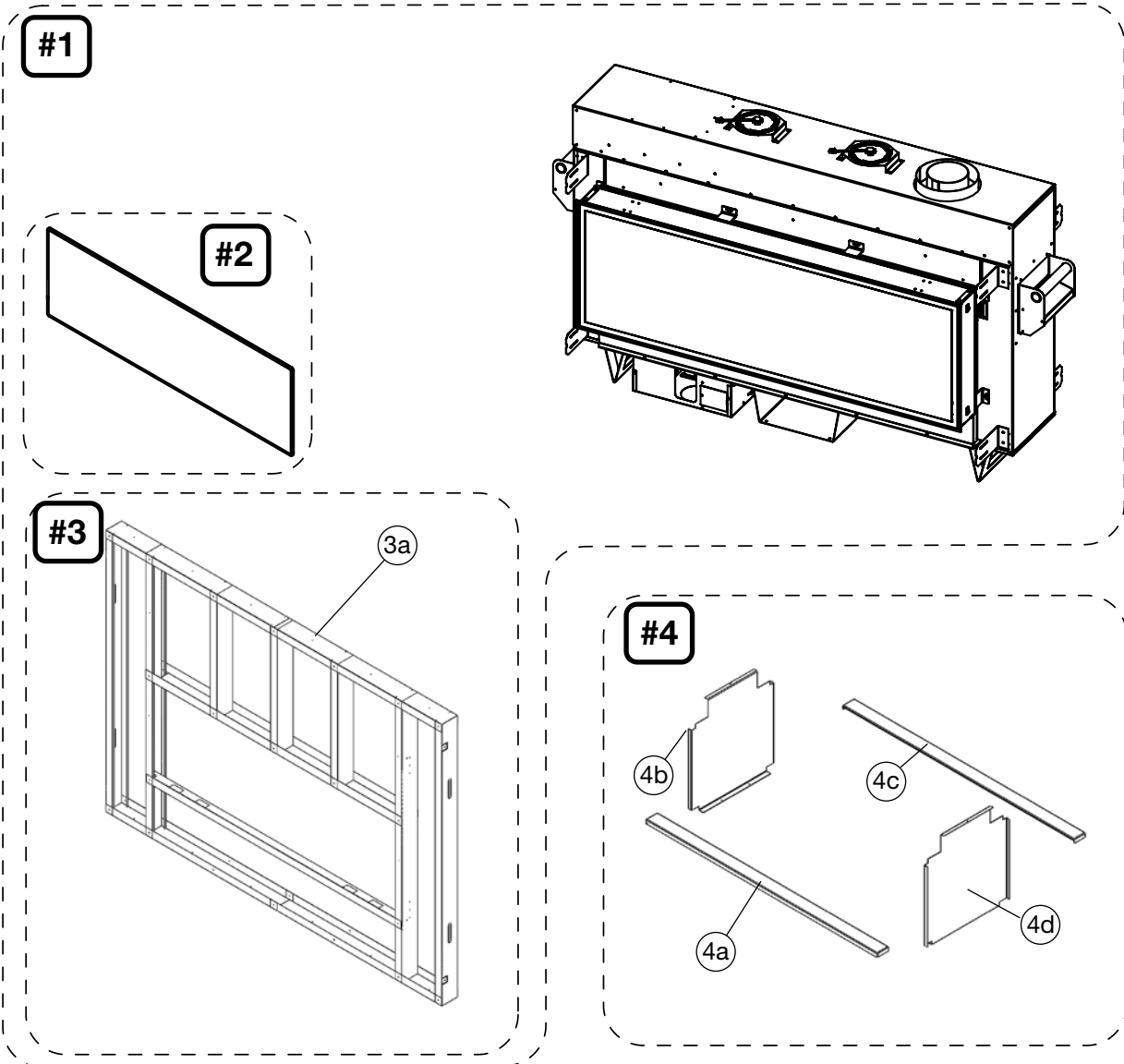
Part #	Part Description
TCWS.847718	TC Widescreen 54 See Through Outdoor kit Trim Inner
TCWS.847804	TC Widescreen 54 See Through Outdoor kit Trim Outer
TCWS.8478	TC Widescreen 54 See Through Outdoor kit Glass Assy.

# Replacement Parts - TCWS.54DST

(WHEN ORDERING, INCLUDE PART NUMBER WITH DESCRIPTION)

ITEM	DESCRIPTION	PART NO.	ITEM	DESCRIPTION	PART NO.
#1	TCWS BODY ASSEMBLY .....	TCWS.54CSTE	*#5	FINISHING TOUCH TRIM KIT .....	TCRP.54WSTRIMKIT
#2	GLASS ASSEMBLY (c/w gasket) .....	GLAS.2062ASSY	#6	ORIFICE (2pcs).....	5021.332A
#3	FRAMING KIT.....	TCWS.54STFRKIT	#7	MAIN GAS SUPPLY TUBE (1pcs) .....	5019.223
#4	PANEL SETS				
	BLACK PORCELAIN .....	TCPN.54STBK			
	BROWN PORCELAIN.....	TCPN.54STCB			
	COPPER PORCELAIN.....	TCPN.54STCU			
	TITANIUM PORCELAIN.....	TCPN.54STTI			

\* Not shown



**KIT CONTENTS:**

- #1.....TCWS BODY ASSEMBLY
  - 1A     SPRING LATCH ASSEMBLY (2)
  - 1B     CONTROL BOX
- #2.....GLASS ASSEMBLY (C/W GASKET)

- #3.....FRAMING KIT
  - 3A     STEEL STUDS
- #4.....PANEL SETS
  - 4A     PANEL, FRONT SIDE
  - 4B     PANEL, LEFT SIDE
  - 4C     PANEL, REAR
  - 4D     PANEL, RIGHT SIDE

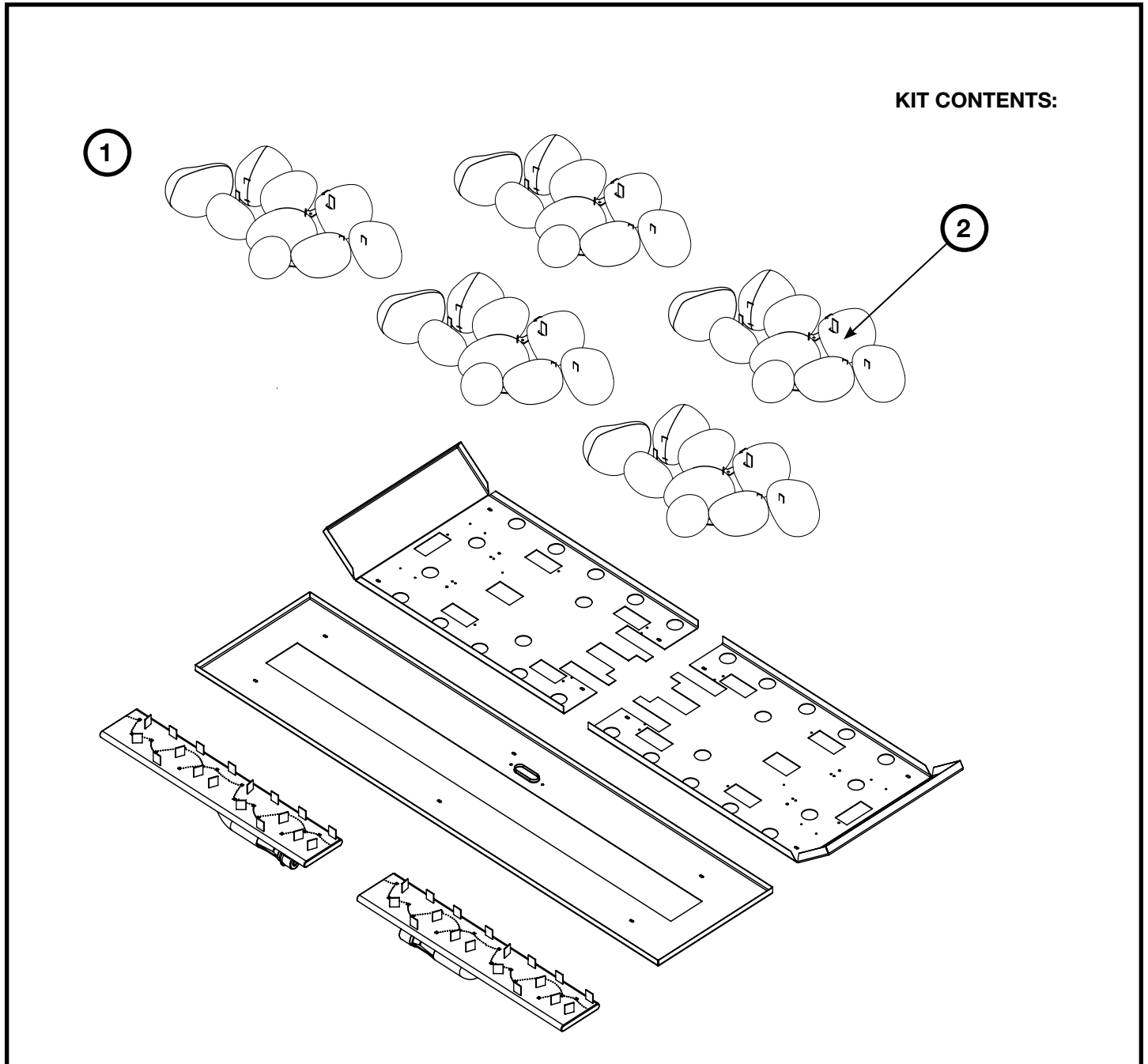


# Replacement Parts - Tranquility Burner

(WHEN ORDERING, INCLUDE PART NUMBER WITH DESCRIPTION)

ITEM	DESCRIPTION	PART NO.
#1	TRANQUILITY BURNER KIT .....	TCWS.54NGST04D
#2	PEBBLE ASSEMBLY(5 boxes) .....	5096.921
* #3	SAND (Two Bags) .....	TC42.SAND34
* #4	PILOT ROCK, BLACK .....	5096.995BLK
	PILOT ROCK, GREY .....	5096.995GRY
	PILOT ROCK, PLAIN .....	5096.995

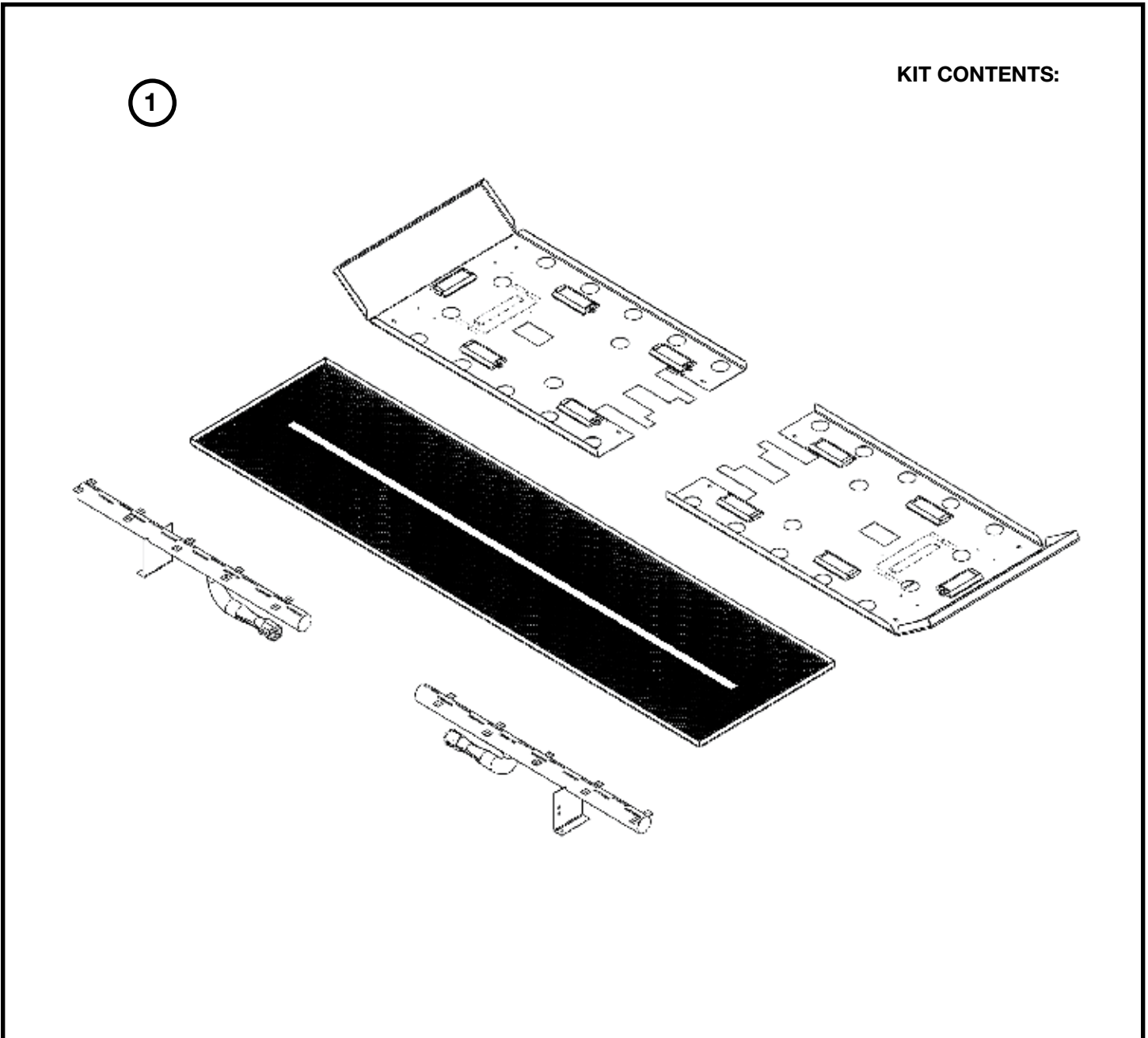
\* NOT SHOWN



# Replacement Parts - Twilight Diamond Burner

(WHEN ORDERING, INCLUDE PART NUMBER WITH DESCRIPTION)

ITEM	DESCRIPTION	PART NO.
#1	Twilight DIAMOND BURNER.....	TCWS.54NGST03D
★ #2	GLASS MEDIA (3 required) .....	TCRP.501201
★ #3	LIGHT BULB .....	5033.713
★	NOT SHOWN	



# Replacement Parts – Valve Control System

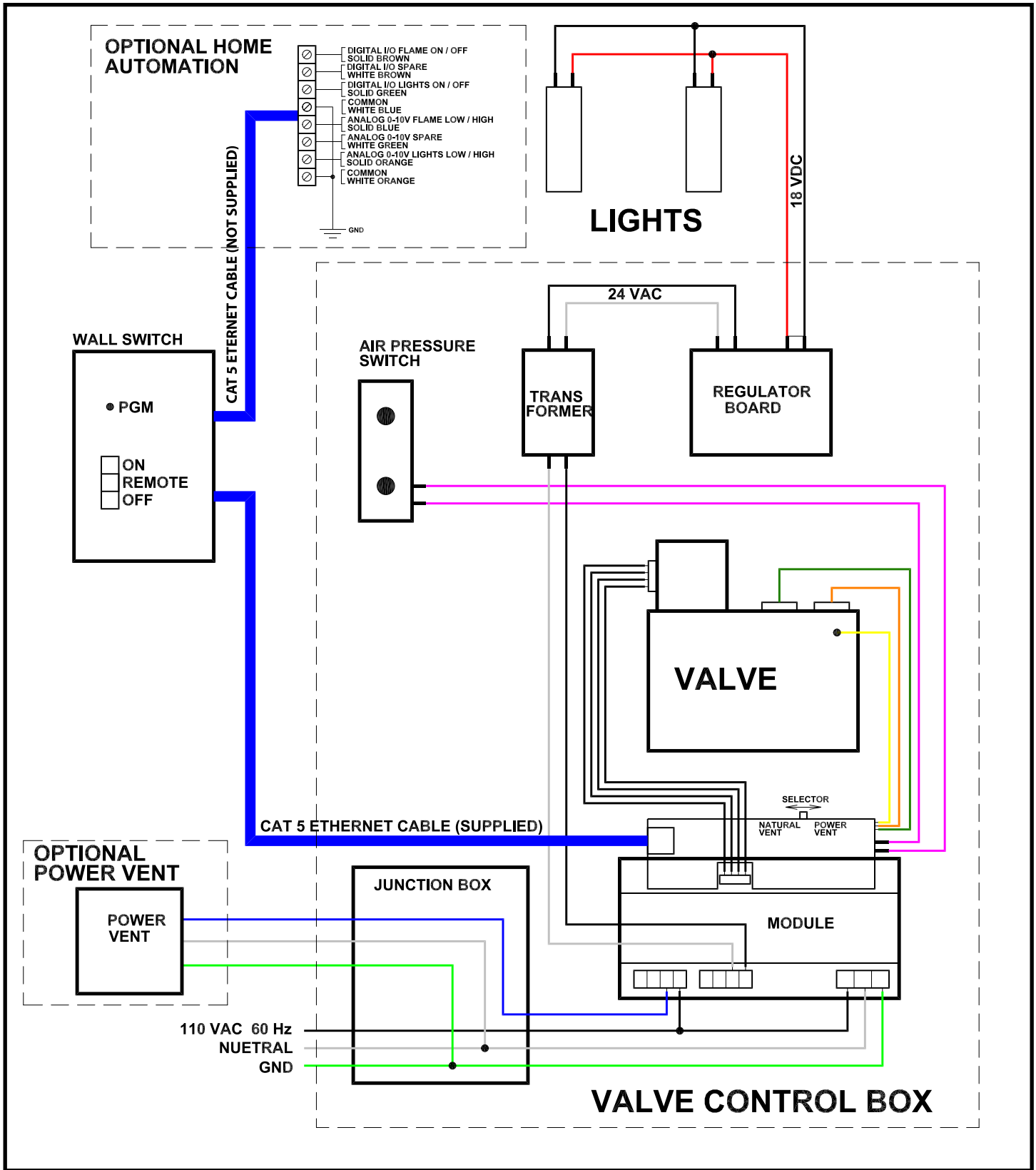
(WHEN ORDERING, INCLUDE PART NUMBER WITH DESCRIPTION)

ITEM	DESCRIPTION	PART NO.	ITEM	DESCRIPTION	PART NO.
#1	CONTROL ASSEMBLY KIT .....	TCCV.95755-B	#5	WALL SWITCH ASSEMBLY KIT.....	TCRP.WSA
#2	BULKHEAD ASSEMBLY KIT .....	TCRP.8133	#6	REMOTE TRANSMITTER.....	TCRP.500307
#3	COMMUNICATION CABLE KIT.....	5062.98-A	#7	PILOT, CONVERTIBLE, 38" LEADS, .....	80000525
#4	TEST FITTING .....	5019.104			

**KIT CONTENTS:**

#1	CONTROL ASSEMBLY KIT	#2	BULKHEAD ASSEMBLY KIT	#5	WALL SWITCH ASSEMBLY KIT (not shown)
1a	VALVE c/w FITTINGS	2a	INLET PLATE		
1b	1/4" FLEX TUBE	2b	INLET PLATE GASKET	#6	REMOTE TRANSMITTER (not shown)
1c	1/2" FLEX TUBE	2c	ELEC BULKHEAD GASKET		
1d	CONTROL MOUNTING BRACKET	2d	1/2" BULKHEAD FITTING		
1e	IGNITION MODULE	2e	1/4" BULKHEAD FITTING		
1f	WIRING HARNESS	2f	ELEC BULKHEAD FITTING		
1g	TRANSFORMER	#3	COMMUNICATION CABLE KIT		
1h	PRESSURE TEST ASSEMBLY	#4	TEST FITTING		
1i	REGULATOR BOARD				
1j	PRESSURE SWITCH				

# Wiring Diagram



# Rating Label



TOWN & COUNTRY  
FIREPLACES™

MODEL/  
MODELE: TCWS54STOK

SERIES/  
SERIE: D

MADE IN CANADA  
FABRIQUE AU CANADA

## VENTED GAS FIREPLACE - NOT FOR USE WITH SOLID FUEL FOYER AU GAZ À ÉVACUATION - NE PAS UTILISER AVEC DU COMBUSTIBLE SOLIDE

This is a decorative product and is not intended to be used as a heating appliance.

ANSI Z21.50-2016 / CSA 2.22-2016 Vented Gas Fireplaces  
CAN/CGA 2.17-M91 Gas-Fired Appliance For Use At High Altitudes.

Certified for / Certifié pour Canada and U.S.A.

This Appliance is Equipped For Use With /  
Cet Appareil est Équipé Pour Utilise Avec :

NATURAL GAS ■ LP-GAS ■  
GAZ NATUREL ■ LP GAZ ■

FOR USE WITH/ EN CASE D'EMPLOI AVEC:	NATURAL GAS/ DU GAZ NATUREL	LP GAS/ DU GAZ LP
Minimum supply pressure / Pression minimum d'alimentation: (For the purpose of input adjustment / dans le but de régler l'alimentation)	5.0 in/wc / 5.0 po/c.e. (1.25 kPa)	12.5 in/wc / 12.5 po/c.e. (3.11 kPa)
Maximum supply pressure / Pression maximum d'alimentation:	13.9 in/wc / 13.9 po/c.e. (3.45 kPa)	13.9 in/wc / 13.9 po/c.e. (3.45 kPa)
Manifold pressure / Pression de la tuyauterie: Maximum	3.5 in/wc / 3,5 po/c.e. (0.87 kPa)	10.0 in/wc / 10.0 po/c.e. (2.49 kPa)
Orifice Size / Diametre de l'injecteur:	NC x2	LC x2
Input BTU/hr (kW) / Entree BTU/h (kW):	Max.: 54,900 (16.0) Min.: 38,500 (11.3)	Max.: 54,900 (16.0) Min.: 45,000 (13.2)

Required components/ Éléments requis: Powervent Kit/ kit de ventilation mécanique TCVT.PV7.110 (on max.), TCVT.PVCV, TCVT.PVVT (on max.)

Blower electrical rating: 115v, 60hz, 1.1 A / Normes electriques du ventilateur: 115v, 60hz, 1.1 A

This appliance equipped for altitudes 0 - 4500 ft. (0 - 1372 m) / Cet unité est conçu pour des altitudes variant entre 0 - 4500 pieds (0 - 1372 m). In Canada, also certified for installation in a bedroom or a bedsitting room / Aussi certifié pour installation dans une chambre à coucher ou une salle de séjour. This appliance must be installed in accordance with local codes, if any; if none, follow the current CAN/CGA-B149 (Canada), or ANSI Z223.1 (USA) Installation Codes. Installer l'appareil selon les codes ou règlements locaux, ou, en l'absence de tels règlements, selon les codes d'installation CAN/CGA-B149 (Canada), or ANSI Z223.1 (USA) en vigueur.

MANUFACTURED (MOBILE) HOME: This appliance is only for use with the type of gas indicated on the rating plate and may be installed in an aftermarket, permanently located, manufactured (mobile) home where not prohibited by local codes. See owners manual for details.

FABRIQUEZ (MOBILE) MAISON: Cet appareil doit être utilisé uniquement avec le type de gaz indiqué sur la plaque signalétique et peut être installé dans une maison préfabriquée (mobile) installée à demeure si les règlements locaux le permettent. Voir la notice du propriétaire pour plus de détails. Cet appareil ne peut être converti à d'autres gaz sauf si une trousse de conversion certifiée est utilisée.

Install in accordance with the current standard Mobile Homes, CAN/CSA Z240 MH (in CANADA), and the Manufacturer's Home Construction and Safety Standard, Title 24 CFR, Part 3280, or the current Standard for Fire Safety Criteria for Manufactured Home Installations, Sites, and Communities ANSI/NFPA 501A, (in the U.S.A.). Cet appareil doit être installé conformément aux exigences de la norme CAN/CSA Z240 MH en vigueur de l'ACNOR, Installations de gaz dans les Constructions Mobiles.

FOR USE WITH THE GLASS AND SCREEN BARRIER CERTIFIED WITH THE APPLIANCE ONLY / POUR UTILISATION UNIQUEMENT AVEC LES PORTES IN VERRE CERTIFIÉES AVEC L'APPAREIL

### MINIMUM CLEARANCES TO COMBUSTIBLES / CLAIRANCES MINIMALES AVEC LES COMBUSTIBLE

Left and Right side are determined when facing the front of the appliance. / Les côtés droit et gauche se déterminent en se mettant devant l'appareil et en lui faisant face.

Top, Back and Side Standoffs / Sommet, Arrière et Côté Butée	0 in./ 0 po. (0 mm)
Sidewall to Appliance / Du mur latéral a l'appareil	4 in./ 4 po. (102 mm)
Ceiling to Appliance / Plafond a l'appareil	24 in./ 24 po. (610 mm)
Mantel to Appliance / Du manteau a l'appareil	*9 in./ 9 po. (229 mm)
Maximum Mantel Extension / Allongement maximum du manteau	*12 in./ 12 po. (305 mm)
*See Installation Manual for more detail / Voyez des Directive de l'Installation pour plus détails.	
Mantel Supports / Supports du manteau	4 in./ 4 po. (102 mm)
Vent Pipe / Déchargez le Tuyau	1.75 in./ 1.75 po. (45 mm)

Pacific Energy

Fireplace Products Ltd.

Duncan, British Columbia,

Canada

P.4.1-15 Efficiency: 30.7%

DATE OF MANUFACTURE

WARNING: Improper installation, adjustment, alteration, service or maintenance can cause injury or property damage. Refer to the owner's information manual provided with this appliance. For assistance or additional information, consult a qualified installer, service agency or the gas supplier.

AVERTISSEMENT: Une installation, un réglage, une modification, une réparation ou un entretien mal effectué peut causer des dommages matériels ou des blessures. Voir la notice de l'utilisateur qui accompagne l'appareil. Pour de l'aide ou des renseignements supplémentaires, consultez un installateur, un technicien agréé ou le fournisseur de gaz.

160119

100001674-50

1-TCWS54STOK-D





© 2019 Copyright Pacific Energy Fireplace Products LTD

Reproduction, adaptation, or translation  
without prior written permission is prohibited,  
except as allowed under the copyright laws.



**For technical support, please contact your retailer**

**Web site: [www.townandcountryfireplaces.com](http://www.townandcountryfireplaces.com)  
2975 Allenby Rd., Duncan, BC V9L 6V8**

Printed in Canada