

# 564 TRV 25K GSR2 Standard Cheat Sheet

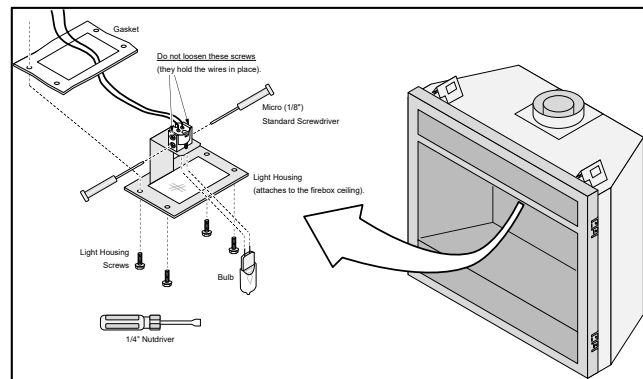
The new 564 TRV 25K fireplace has several new characteristics that require special attention during installation. **Refer to the manual for full details.**

- The framing for the standard version got taller (37-1/4”).
- An exhaust deflector is included in the owner’s pack – it is used only on minimum rear vent applications.
- **YOU NEED TO ORDER A LOG SET** to complete this fireplace. 2 choices - Classic Oak (sku# 94500626) and Birch (sku# 94500624)

- Ember-Glo™ Lights are standard for this fireplace

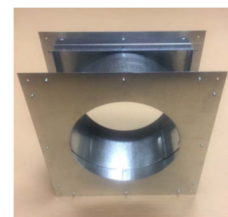


- There is a new, easy to access, top accent light.



- The fireplace ships as a top vent but can be converted to rear vent. **Install Insulation when Converting to Rear Vent Configuration** The insulation is only used for rear vent configurations. Failure to install the insulation will create a safety hazard.
- **Top Vent vs. Rear Vent** Depending upon top or rear vent configuration, maximum vent configuration may change. See installation manual for details.

- **Fireplace Includes a Thimble** See manual for details.



- This fireplace is compatible with the CoolSmart TV system (sku# 98900778). This kit allows for a TV pocket to be installed or an installation of a TV above the fireplace without a mantel.
- This fireplace is available as a **Deluxe unit only** (remote, lights, blowers all standard).
- **FPX Arched Upgrade Kit (sku# 98500683) Required When Using Arched Faces** The upgrade kit includes the mounting brackets and tiling guide. It must be installed prior to installing tile or other facing.
- The GSR Stepper Motor Kit (sku# 94400999 4-pack or 250-01463 single) is required for converting this appliance to LP. The kit contains the stepper motor (regulator) screws and Torx wrench. The burner orifices and burner gaskets are shipped with the appliance.
- **Make sure to remove the zip ties that secure the burner in place for shipping before lighting the fireplace**