



Gas Fireplace Framing Guide

**NOTE: FOR GENERAL REFERENCE ONLY.
Always consult the appliance and accessory installation
manuals for detailed installation information.**

Manuals are found at
www.fireplacex.com
or
by scanning the
QR codes on the following pages



Why are there multiple framing specifications for the same unit?	3	3615 HO - Framing Dimensions - Standard	41
564 TRV 25K	4	3615 HO - Framing Dimension - With CoolSmart Kit.....	42
564 TRV 25K - Fireplace Dimensions.....	4	3615 HO - Framing Dimension - With CoolSmart Side Vent Kit	43
564 TRV 25K - Framing Dimensions - Standard	5	4415 HO Linear	44
564 TRV 25K - Framing Dimension - With CoolSmart Kit	6	4415 HO - Fireplace Dimensions	44
564 TRV 25K - Framing Dimension - With CoolSmart Side Vent Kit ..	7	4415 HO - Framing Dimensions - Standard	45
564 TRV 25K CleanFace	8	4415 HO - Framing Dimension - With CoolSmart Kit.....	46
564 TRV 25K CF - Fireplace Dimensions.....	8	4415 HO - Framing Dimension - With CoolSmart Side Vent Kit	47
564 TRV 25K CF - Framing Dimensions - Standard.....	9	4415 HO See-Through Linear	48
564 TRV 25K CF - Framing Dimension - With CoolSmart Kit.....	10	4415 HO ST - Fireplace Dimensions.....	48
564 TRV 25K CF - Framing Dimension - With CoolSmart Side Vent Kit	11	4415 HO ST - Framing Dimensions - Standard	49
564 TV 35K	12	6015 HO Linear	50
564 TV 35K - Fireplace Dimensions	12	6015 HO - Fireplace Dimensions	50
564 TV 35K - Framing Dimensions - Standard	13	6015 HO - Framing Dimensions - Standard	51
564 TV 35K - Framing Dimension - With CoolSmart Kit.....	14	6015 HO - Framing Dimension - With CoolSmart Kit.....	52
564 TV 35K - Framing Dimension - With CoolSmart Side Vent Kit ..	15	6015 HO - Framing Dimension - With CoolSmart Side Vent Kit	53
564 TV 35K CleanFace	16	ProBuilder™ 42 Linear	54
564 TV 35K CF - Fireplace Dimensions	16	PB 42 Linear - Fireplace Dimensions.....	54
564 TV 35K CF - Framing Dimensions - Standard	17	PB 42 Linear - Framing Dimensions - Standard.....	55
564 TV 35K CF - Framing Dimension - With CoolSmart Kit	18	PB 42 Linear - Framing Dimension - With CoolSmart Kit.....	56
564 TV 35K CF - Framing Dimension - With CoolSmart Side Vent Kit	19	PB 42 Linear - Framing Dimension - With CoolSmart Side Vent Kit ..	57
864 TRV 31K	20	ProBuilder™ 54 Linear	58
864 TRV 31K - Fireplace Dimensions.....	20	PB 54 Linear - Fireplace Dimensions.....	58
864 TRV 31K - Framing Dimensions - Standard	21	PB 54 Linear - Framing Dimensions - Standard.....	59
864 TRV 31K - Framing Dimension - With CoolSmart Kit	22	PB 54 Linear - Framing Dimension - With CoolSmart Kit.....	60
864 TRV 31K - Framing Dimension - With CoolSmart Side Vent Kit ..	23	PB 54 Linear - Framing Dimension - With CoolSmart Side Vent Kit ..	61
864 TRV 31K CleanFace	24	ProBuilder™ 72 Linear	62
864 TRV 31K CF - Fireplace Dimensions.....	24	PB 72 Linear - Fireplace Dimensions.....	62
864 TRV 31K CF - Framing Dimensions - Standard.....	25	PB 72 Linear - Framing Dimensions - Standard.....	63
864 TRV 31K CF - Framing Dimension - With CoolSmart Kit.....	26	PB 72 Linear - Framing Dimension - With CoolSmart Kit.....	64
864 TRV 31K CF - Framing Dimension - With CoolSmart Side Vent Kit	27	PB 72 Linear - Framing Dimension - With CoolSmart Side Vent Kit ..	65
864 TV 40K	28	ProBuilder 24CF	66
864 TV 40K - Fireplace Dimensions	28	PB 24CF - Fireplace Dimensions	66
864 TV 40K - Framing Dimensions - Standard	29	PB 24CF - Framing Dimensions - Standard.....	67
864 TV 40K - Framing Dimension - With CoolSmart Kit.....	30	PB 24CF - Framing Dimension - With CoolSmart Kit.....	68
864 TV 40K - Framing Dimension - With CoolSmart Side Vent Kit ..	31	PB 24CF - Framing Dimension - With CoolSmart Side Vent Kit	69
864 TV 40K CleanFace	32	ProBuilder 36CF	70
864 TV 40K CF - Fireplace Dimensions	32	PB 36CF - Fireplace Dimensions	70
864 TV 40K CF - Framing Dimensions - Standard	33	PB 36CF - Framing Dimensions - Standard.....	71
864 TV 40K CF - Framing Dimension - With CoolSmart Kit	34	PB 36CF - Framing Dimension - With CoolSmart Kit.....	72
864 TV 40K CF - Framing Dimension - With CoolSmart Side Vent Kit	35	PB 36CF - Framing Dimension - With CoolSmart Side Vent Kit	73
4237 EG	36	ProBuilder 36CF See-Through	74
4237 EG - Fireplace Dimensions	36	PB 36CF ST- Fireplace Dimensions	74
4237 EG - Framing Dimensions - Standard	37	PB 36CF ST - Framing Dimensions - Standard	75
4237 EG - Framing Dimension - With CoolSmart Kit.....	38	PB 36CF ST - Framing Dimension - With CoolSmart Kit	76
4237 EG - Framing Dimension - With CoolSmart Side Vent Kit	39	ProBuilder 42CF	77
3615 HO Linear	40	PB 42CF - Fireplace Dimensions	77
3615 HO - Fireplace Dimensions.....	40	PB 42CF - Framing Dimensions - Standard.....	78
		PB 42CF - Framing Dimension - With CoolSmart Kit.....	79
		PB 42CF - Framing Dimension - With CoolSmart Side Vent Kit	80
		Gas Fireplace Installation Worksheet	81

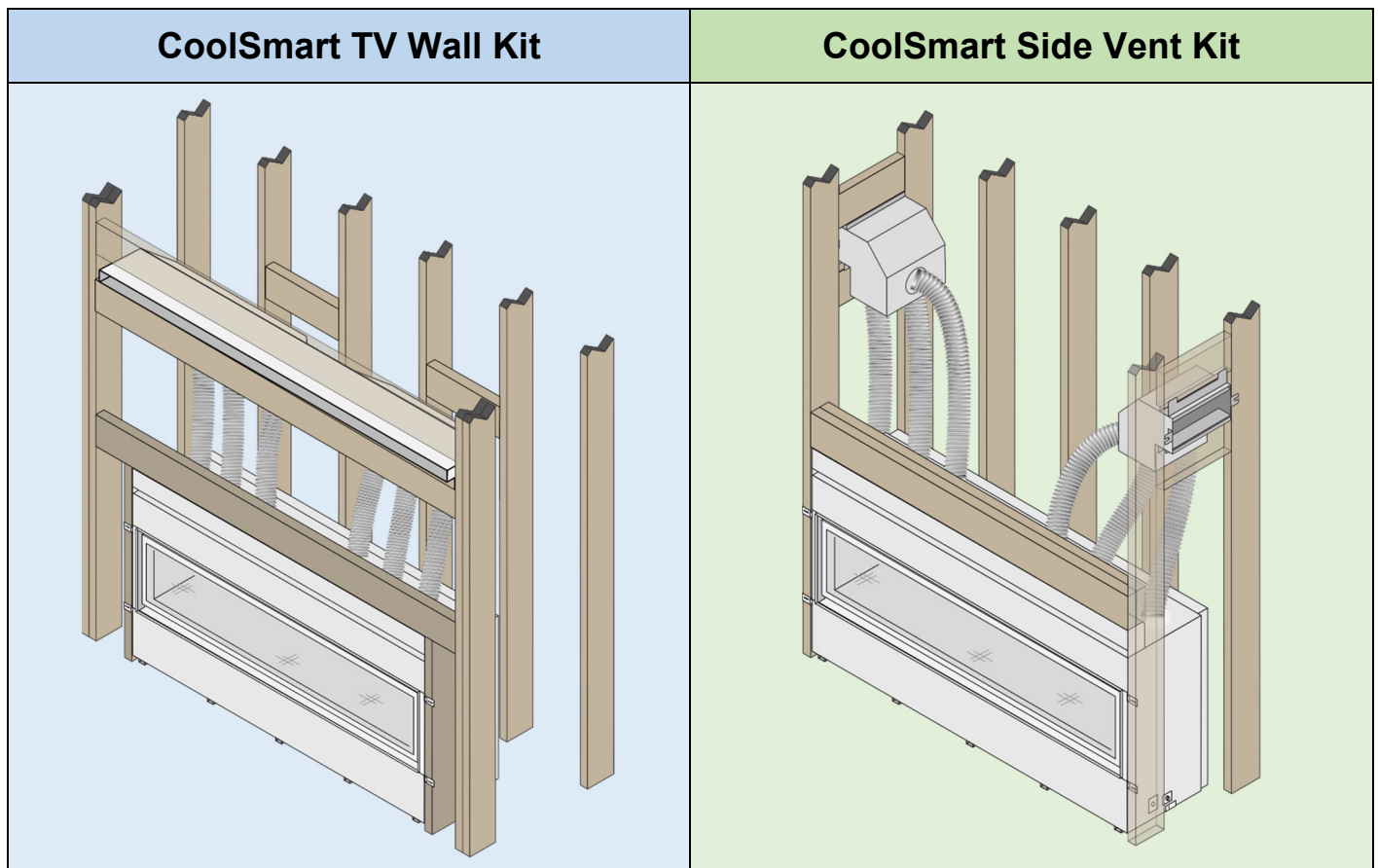
Why are there multiple framing specifications for the same unit?

You will notice there are multiple framing diagrams and specifications for many of the units included in this framing guide. Travis Industries has developed a means to reduce the amount of heat that is exhausted from the front of the fireplace by relocating that heat to another location. This optional accessory is referred to as the CoolSmart TV Wall™ Kit.

Relocating the heat to a location higher on the wall (or to the sides of the fireplace enclosure) allows for reduced clearances, lower television installations above the fireplace, and allows for more flexible wall finish parameters for some fireplaces. Sometimes the dimensions of the enclosure are dictated by the size of the appliance and required clearances for the fireplace, other times the dimensions are dictated by the dimensions of the CoolSmart TV Wall kit if it is used. Make sure to thoroughly plan your installation and decide if you will be using one of the CoolSmart TV Wall kits before beginning framing.

Travis Industries offers two different styles of CoolSmart kits:

- The original front-facing **CoolSmart TV Wall kit** that vents the heat from the fireplace directly above the opening of the fireplace but higher up on the wall. This kit exhausts the heat into the room through one long, narrow manifold, allowing it to blend into the finish of the wall.
- The new **Side Vent CoolSmart TV Wall kit**. This new kit works on the same principles as the original CoolSmart kit but uses two manifolds to move the air into the room rather than the single manifold in the original CoolSmart kit. These Side Vent manifolds are shorter in width but taller than the original CoolSmart manifold to allow for the equivalent amount of airflow but also allow for placement in a variety of locations. The Side Vent manifolds may be placed on the front, sides, or rear of the enclosure as long as it is in the same conditioned space as the fireplace.



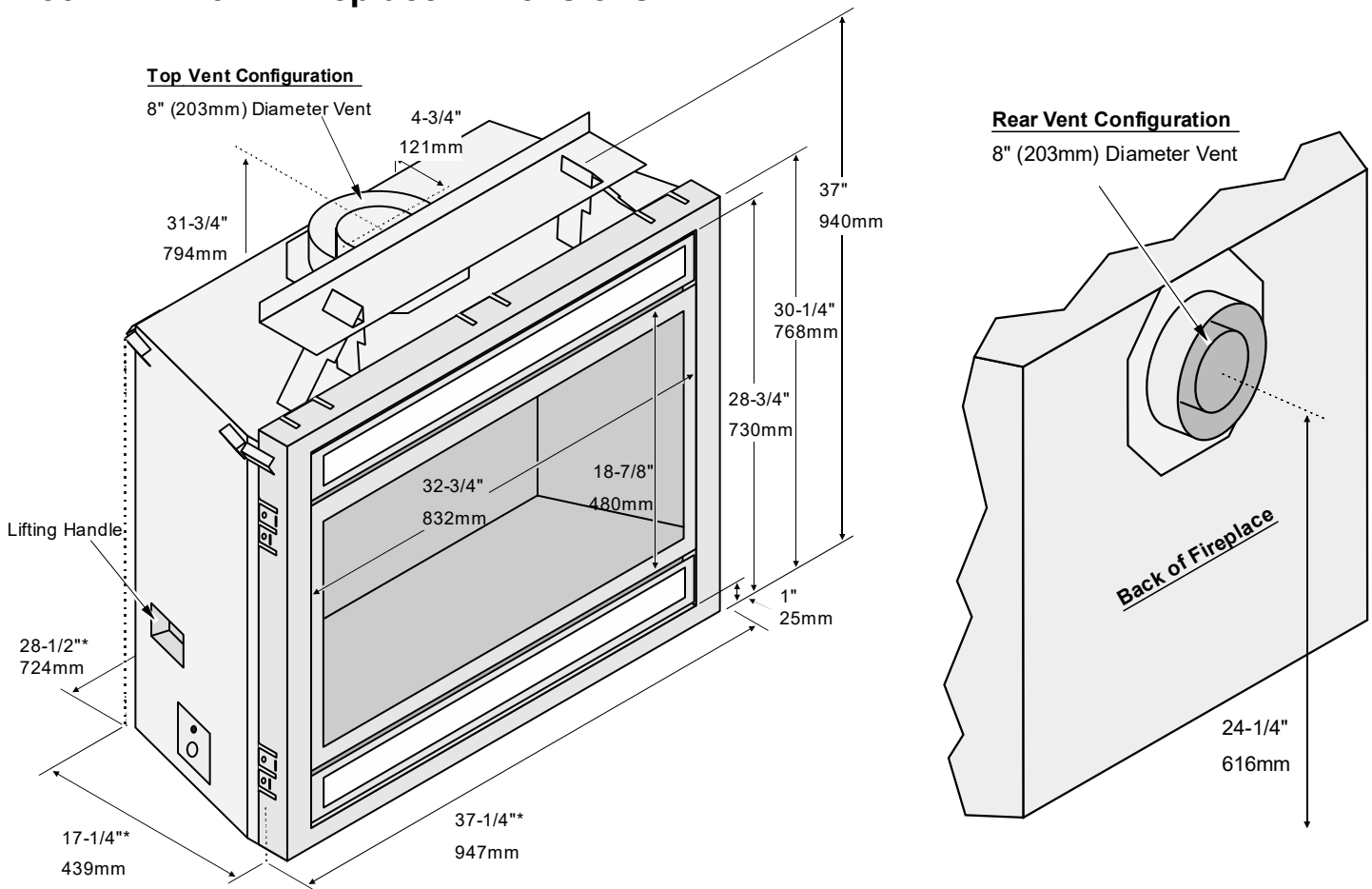
564 TRV 25K

- Heating Capacity: Up to 1,250 square feet
- BTU Input Per Hour: 7,500 (NG) 6,500 (LP) to 25,000 (NG/LP)
- Glass Viewing Area: Tempered Glass, 29-3/8" W x 16 3/8" H, 479.8 Sq. In.

Scan for
Installation Manual

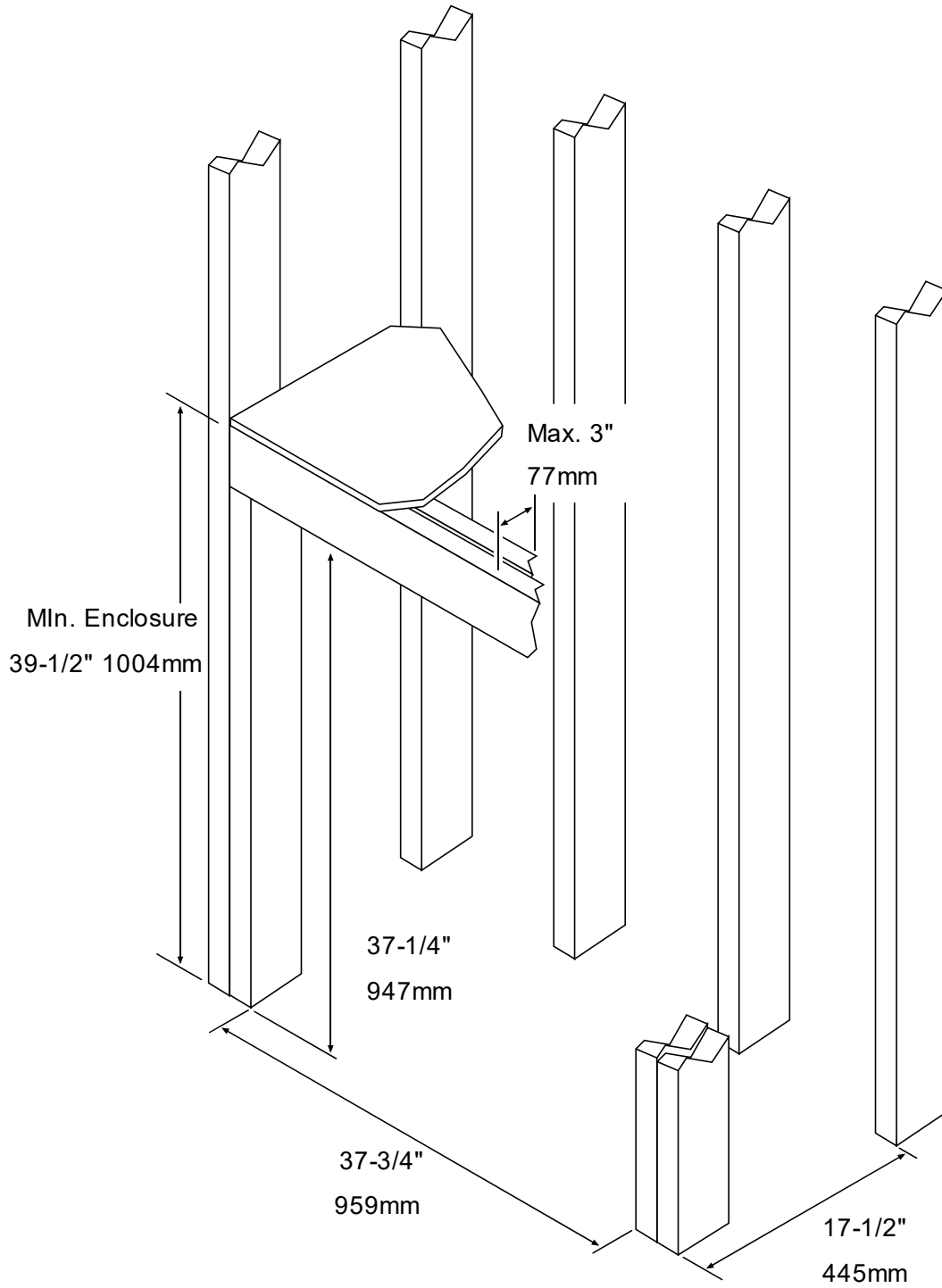


564 TRV 25K - Fireplace Dimensions

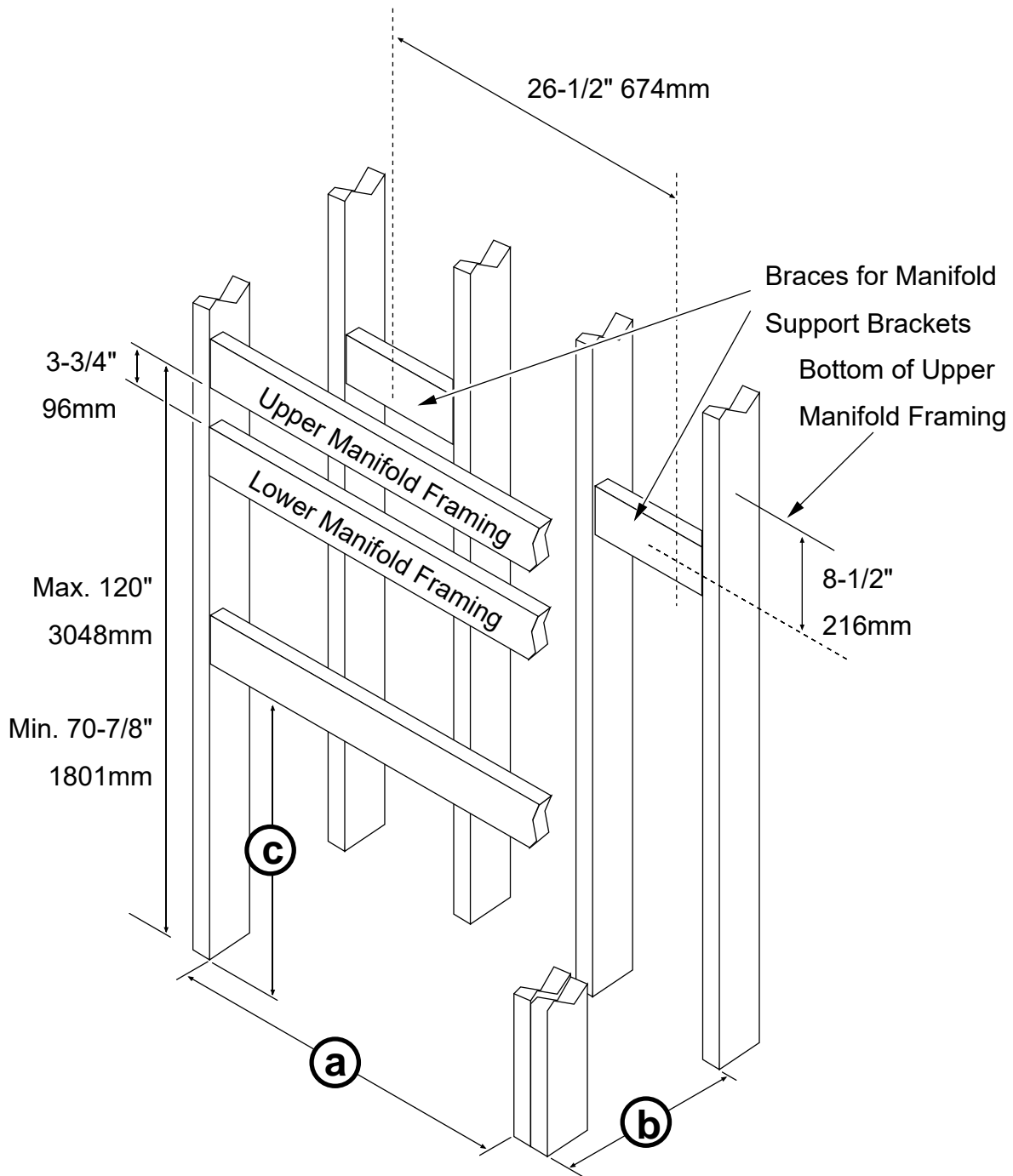


* Includes 1/2" (13mm) clearance - see "Clearances" and "Framing Dimensions" for details.

564 TRV 25K - Framing Dimensions - Standard

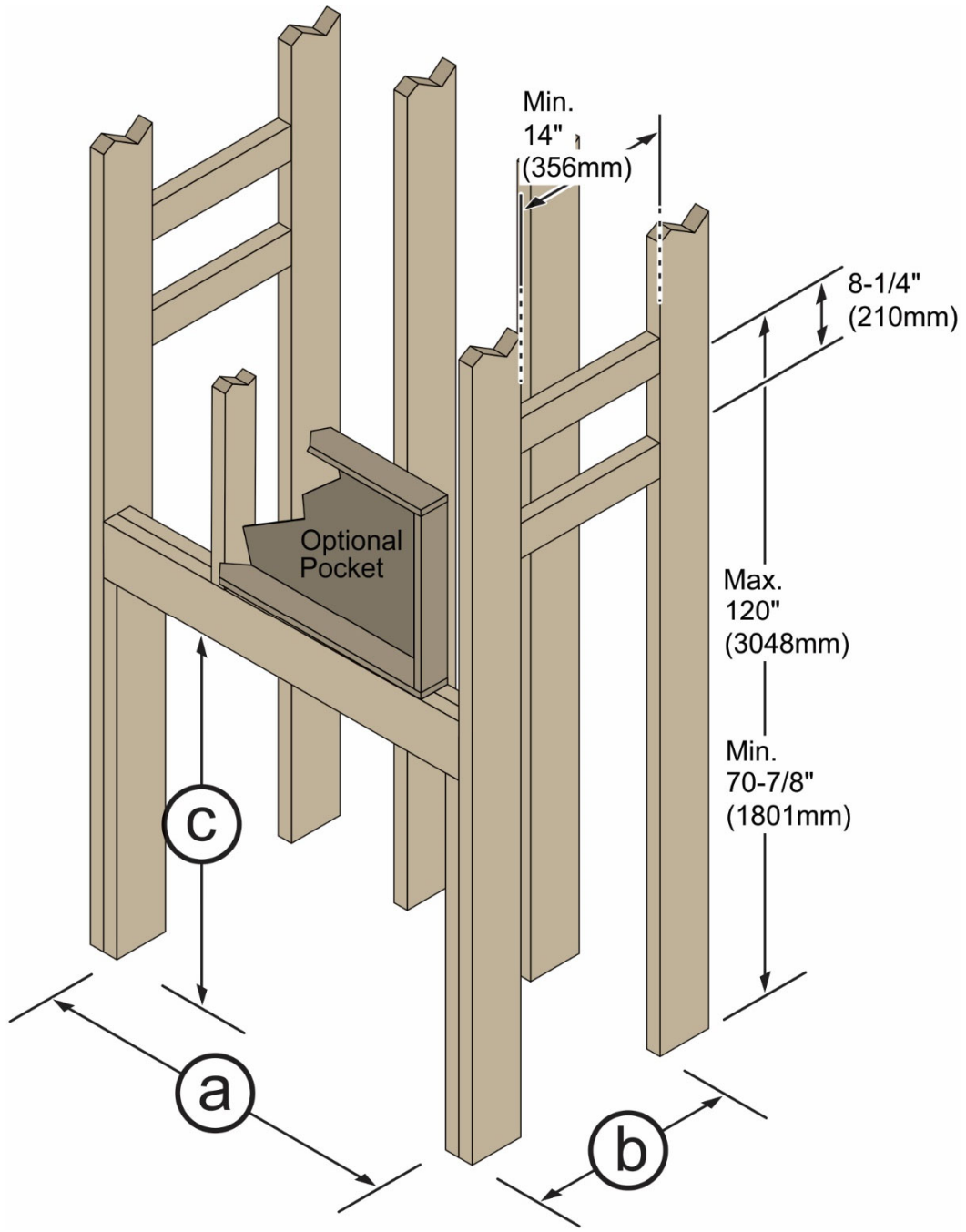


564 TRV 25K - Framing Dimension - With CoolSmart Kit



564 25K Standard	
a	37-3/4" (959mm)
b	17-1/2" (445mm)
c	37-1/4" (947mm)

564 TRV 25K - Framing Dimension - With CoolSmart Side Vent Kit



564 25K	
a	37-3/4" (959mm)
b	17-1/2" (445mm)
c	37-1/4" (947mm)

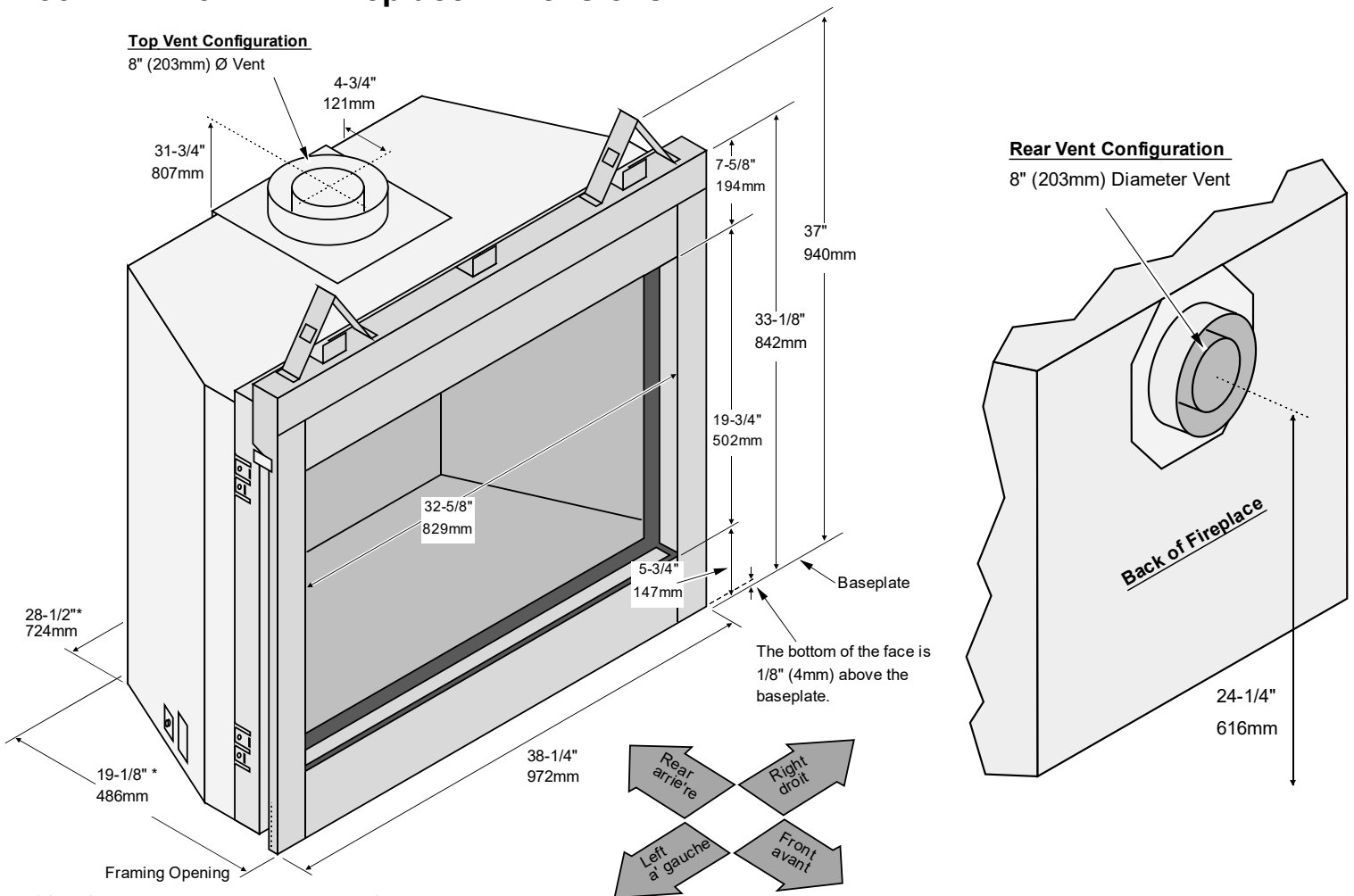
564 TRV 25K CleanFace

- Heating Capacity: Up to 1,250 square feet
- BTU Input Per Hour: 7,500 (NG) 6,500 (LP) to 25,000 (NG/LP)
- Glass Viewing Area: Tempered Glass, 29-3/8" W x 16 3/8" H, 479.8 Sq. In.

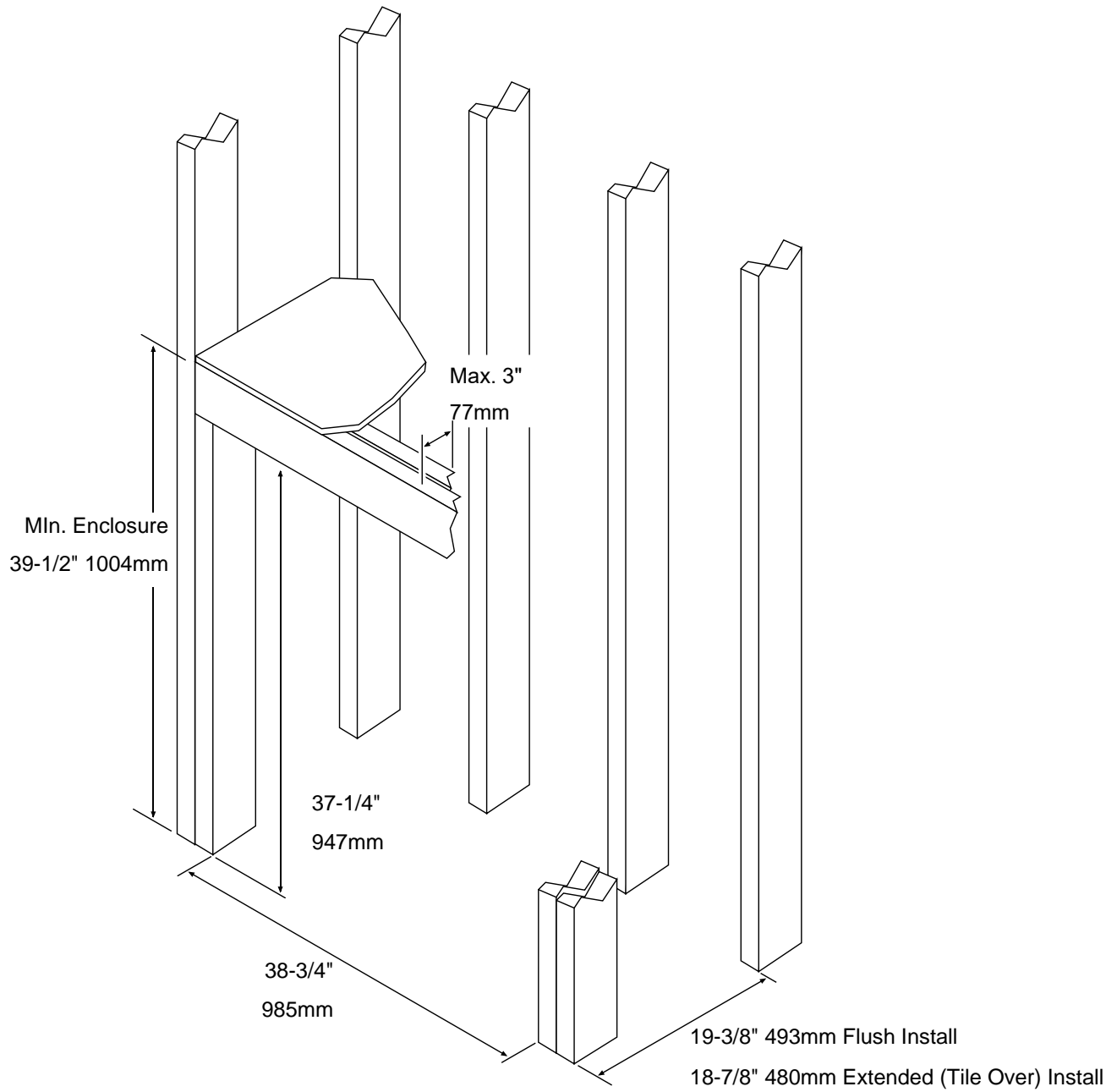
Scan for
Installation Manual



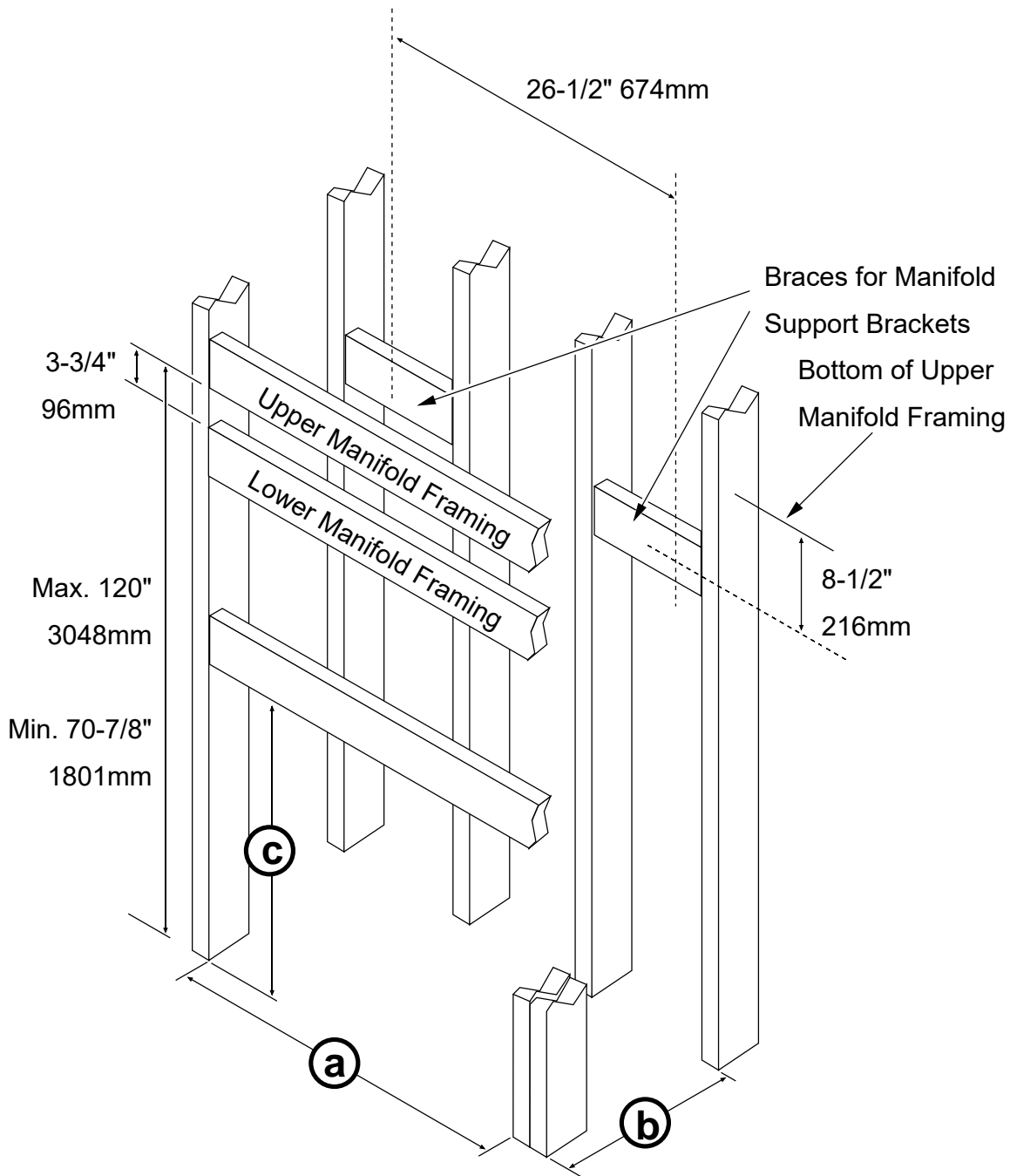
564 TRV 25K CF - Fireplace Dimensions



564 TRV 25K CF - Framing Dimensions - Standard

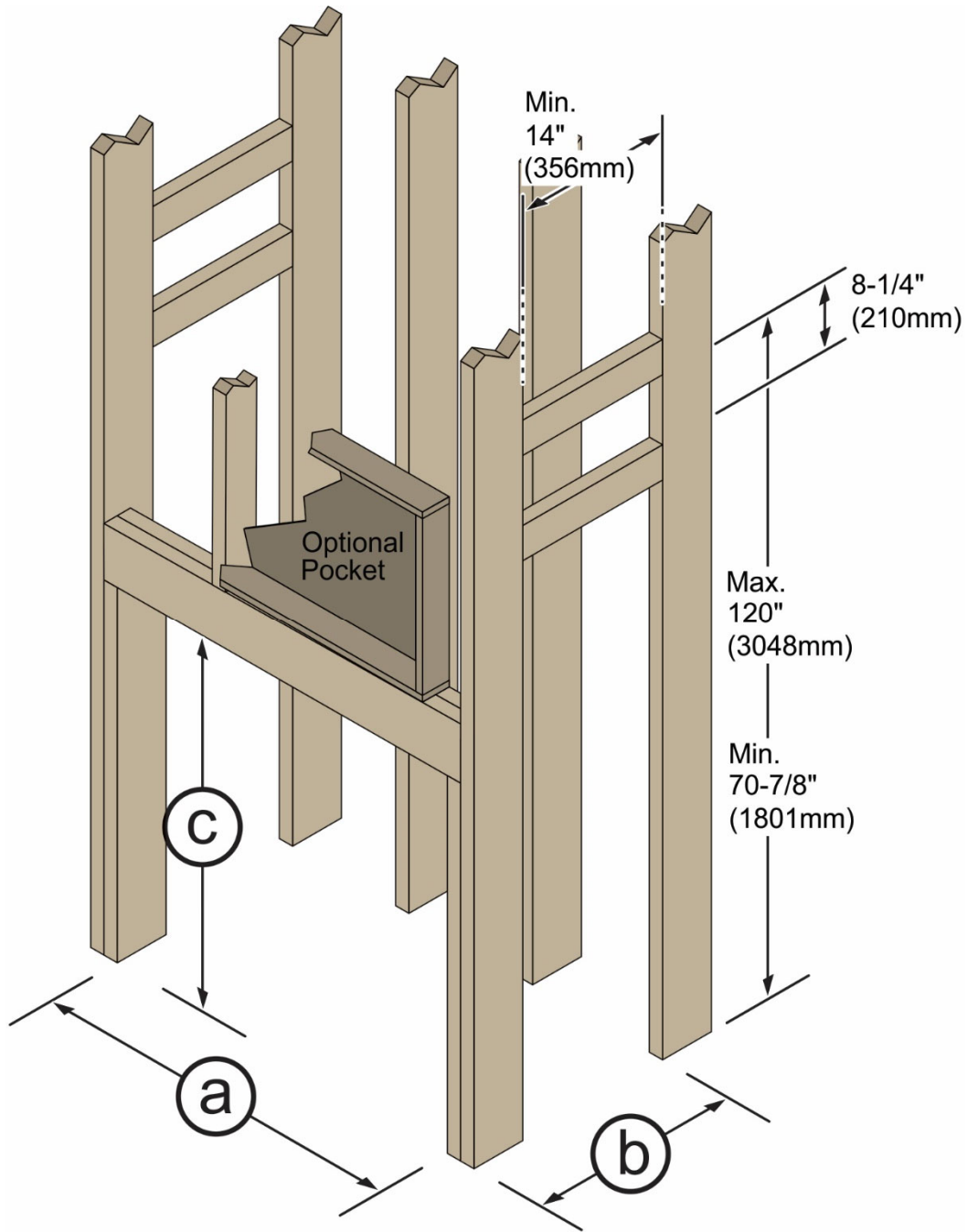


564 TRV 25K CF - Framing Dimension - With CoolSmart Kit



564 25K CleanFace	
a	38-3/4" (985mm)
b	19-3/8" (493mm) Flush 18-7/8" (480mm) Extended
c	37-1/4" (947mm)

564 TRV 25K CF - Framing Dimension - With CoolSmart Side Vent Kit



564 25K CleanFace	
a	38-3/4" (985mm)
b	19-3/8" (493mm) Flush 18-7/8" (480mm) Extended
c	37-1/4" (947mm)

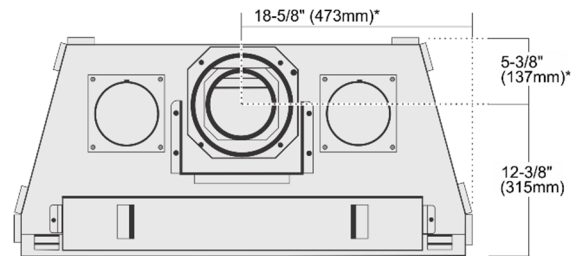
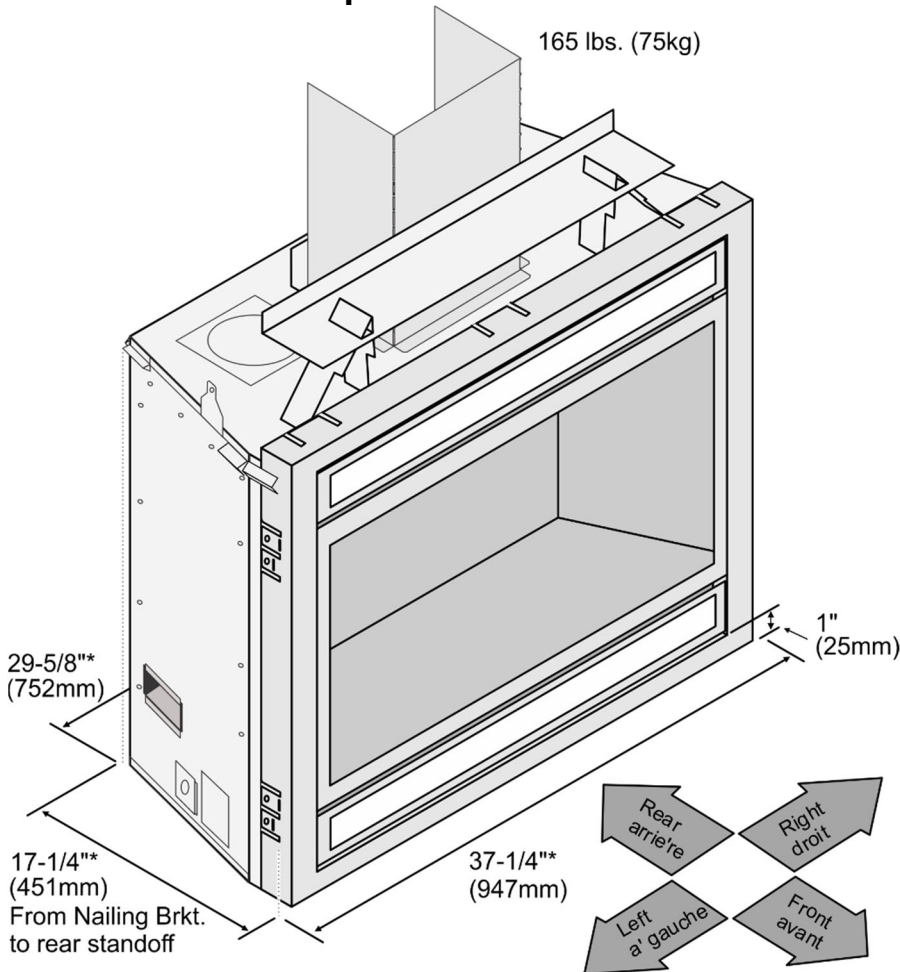
564 TV 35K

- Heating Capacity: Up to 1,700 square feet
- BTU Input Per Hour: 12,000 (NG) 7,500 (LP) to 35,000 (NG/LP)
- Glass Viewing Area: Ceramic Glass, 29-3/8" W x 16 3/8" H, 479.8 Sq. In.

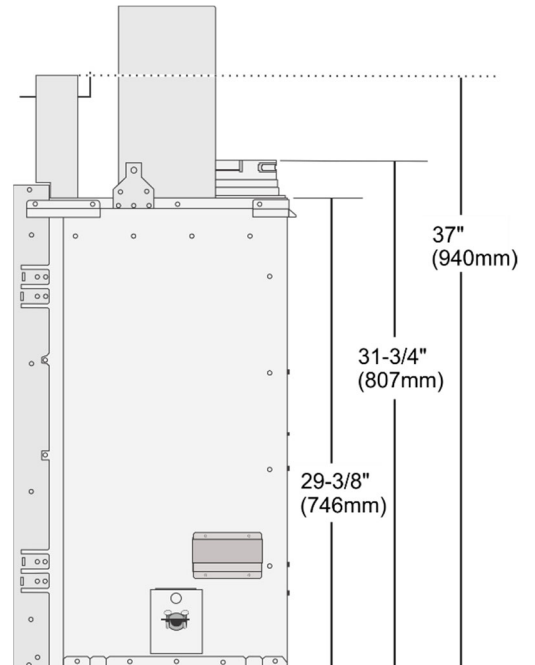
Scan for
Installation Manual



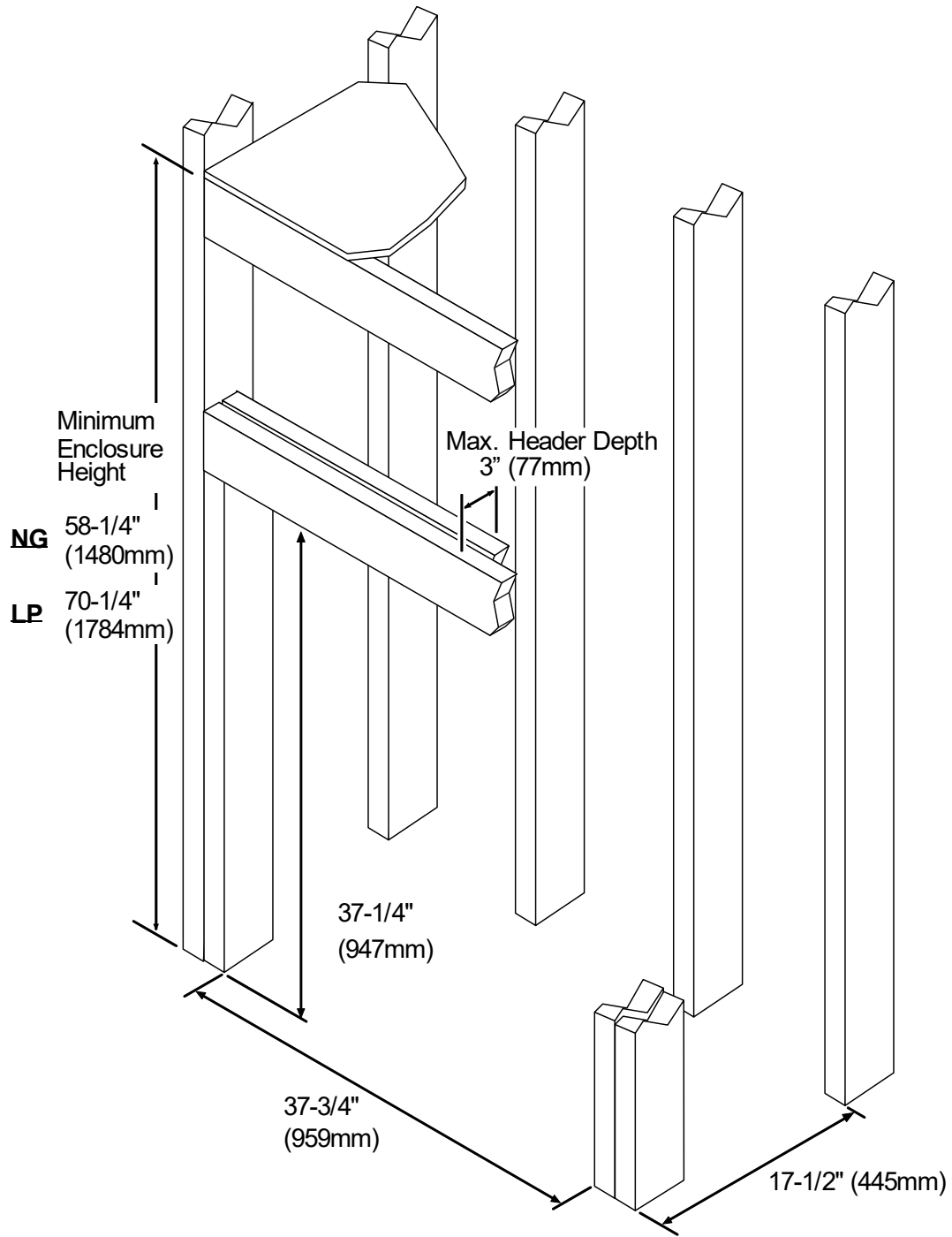
564 TV 35K - Fireplace Dimensions



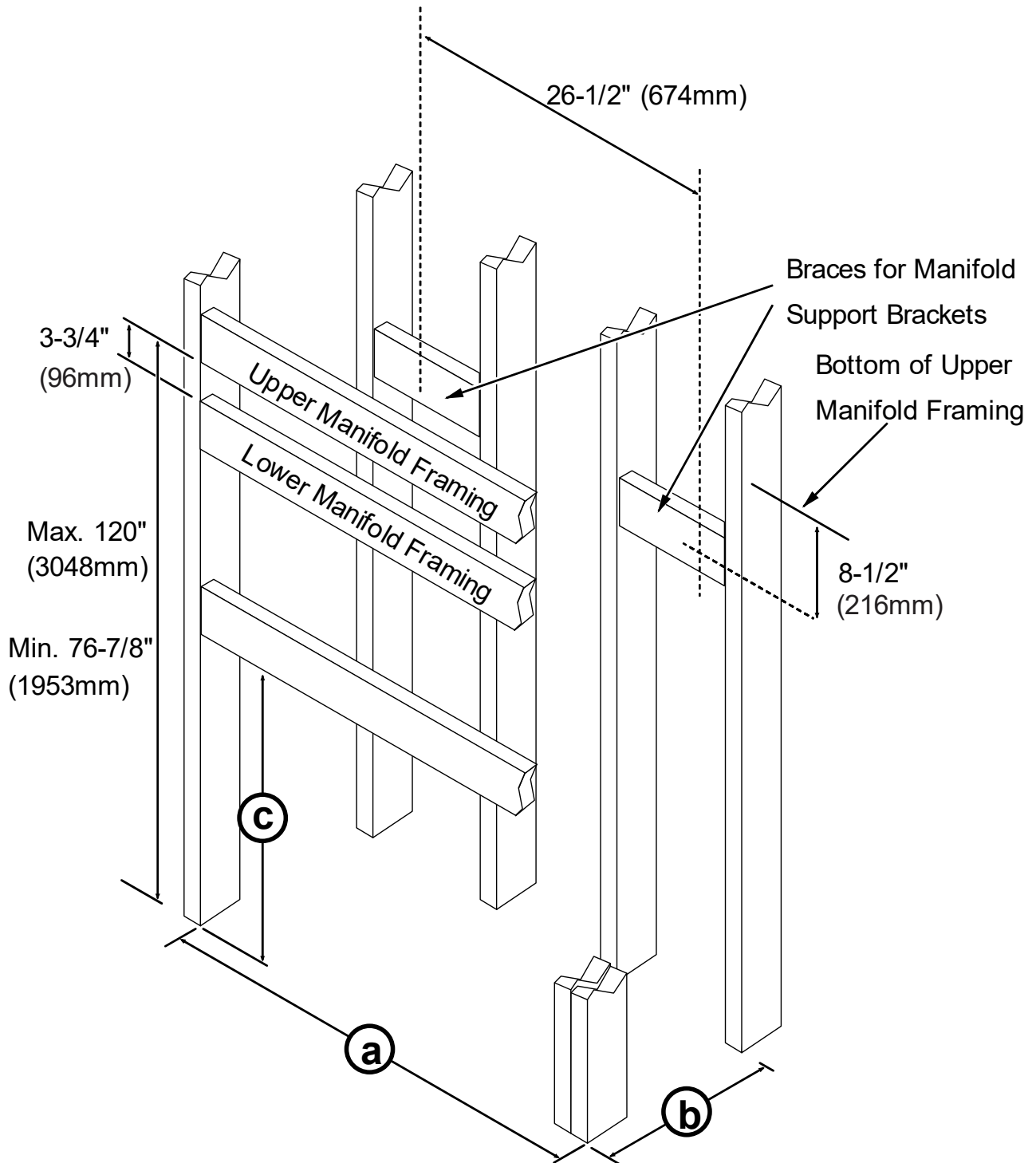
*Dimensions include the standoffs



564 TV 35K - Framing Dimensions - Standard

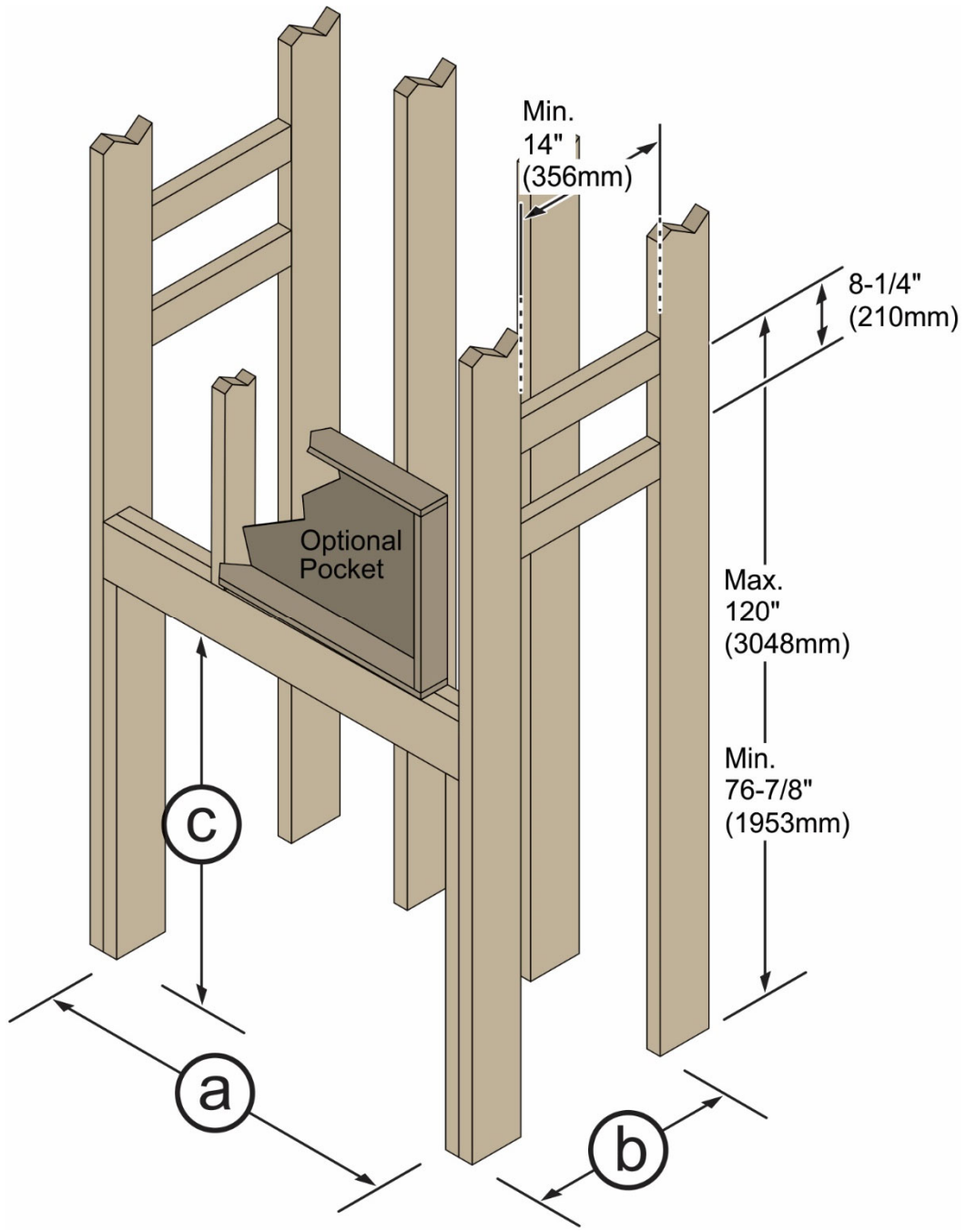


564 TV 35K - Framing Dimension - With CoolSmart Kit



564 35K Standard	
a	37-3/4" (959mm)
b	17-1/2" (445mm)
c	37-1/4" (947mm)

564 TV 35K - Framing Dimension - With CoolSmart Side Vent Kit



564 35K	
a	37-3/4" (959mm)
b	17-1/2" (445mm)
c	37-1/4" (947mm)

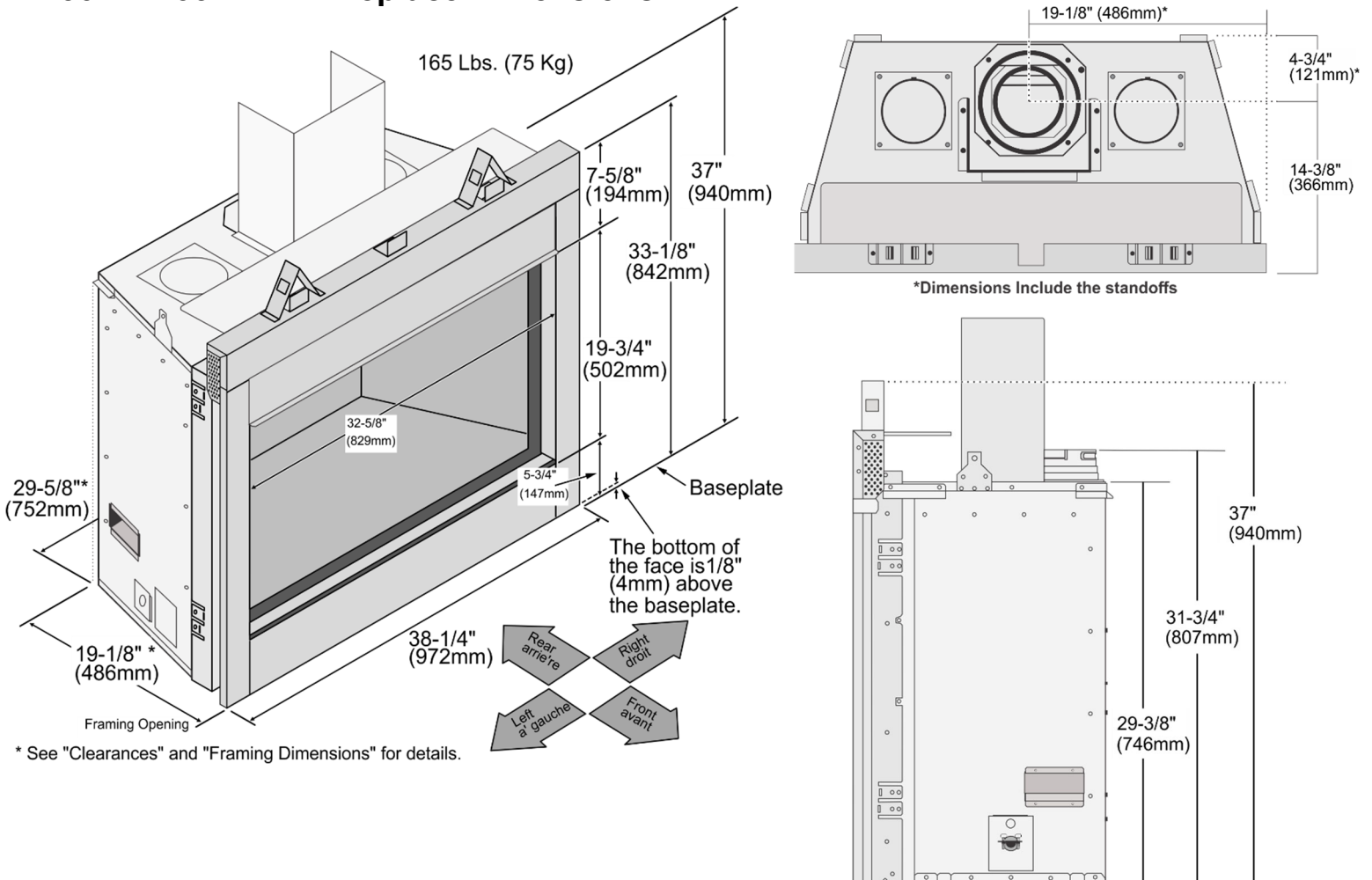
564 TV 35K CleanFace

- Heating Capacity: Up to 1,700 square feet
- BTU Input Per Hour: 12,000 (NG) 7,500 (LP) to 35,000 (NG/LP)
- Glass Viewing Area: Ceramic Glass, 29-3/8" W x 16 3/8" H, 479.8 Sq. In.

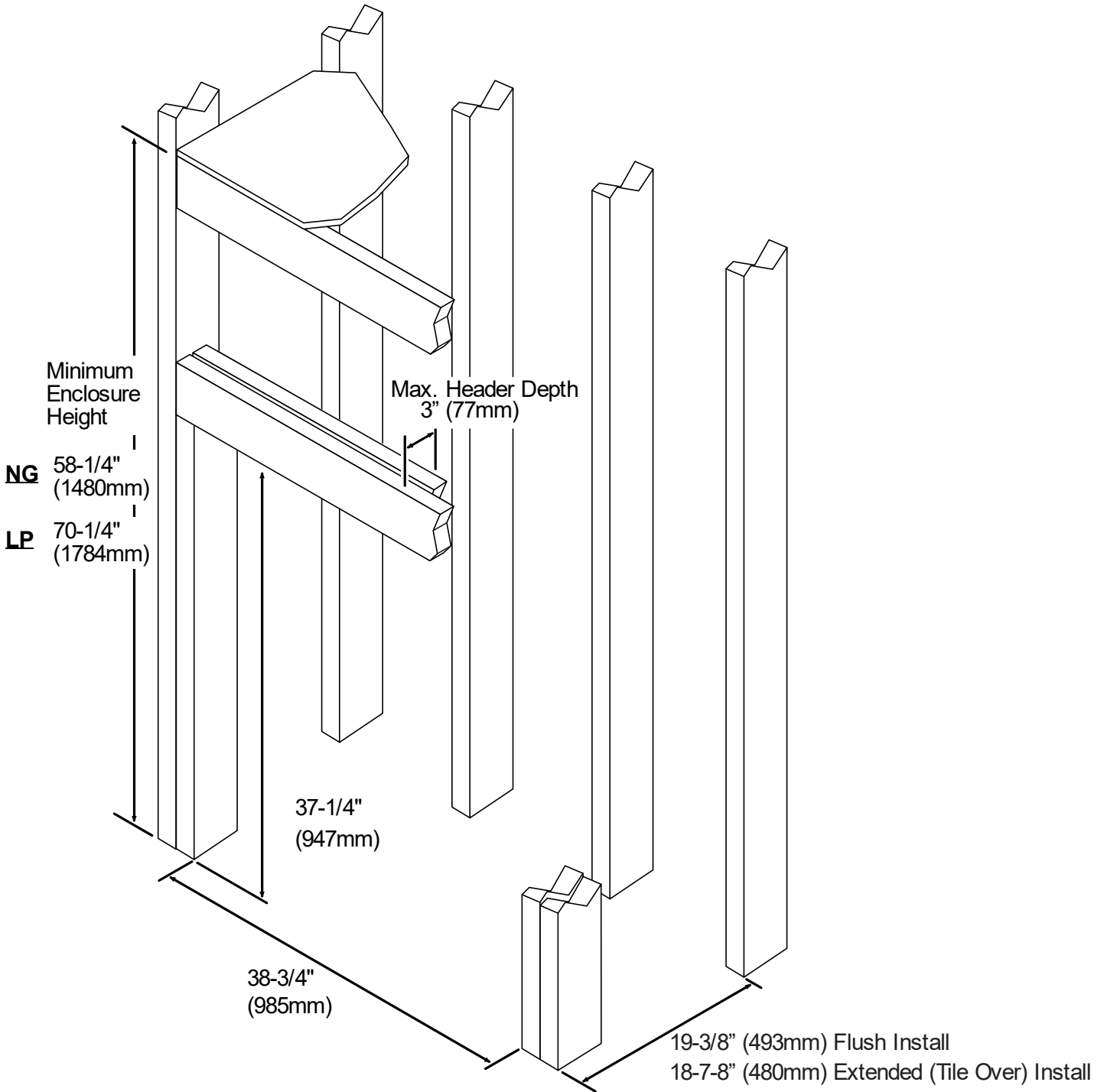
Scan for
Installation Manual



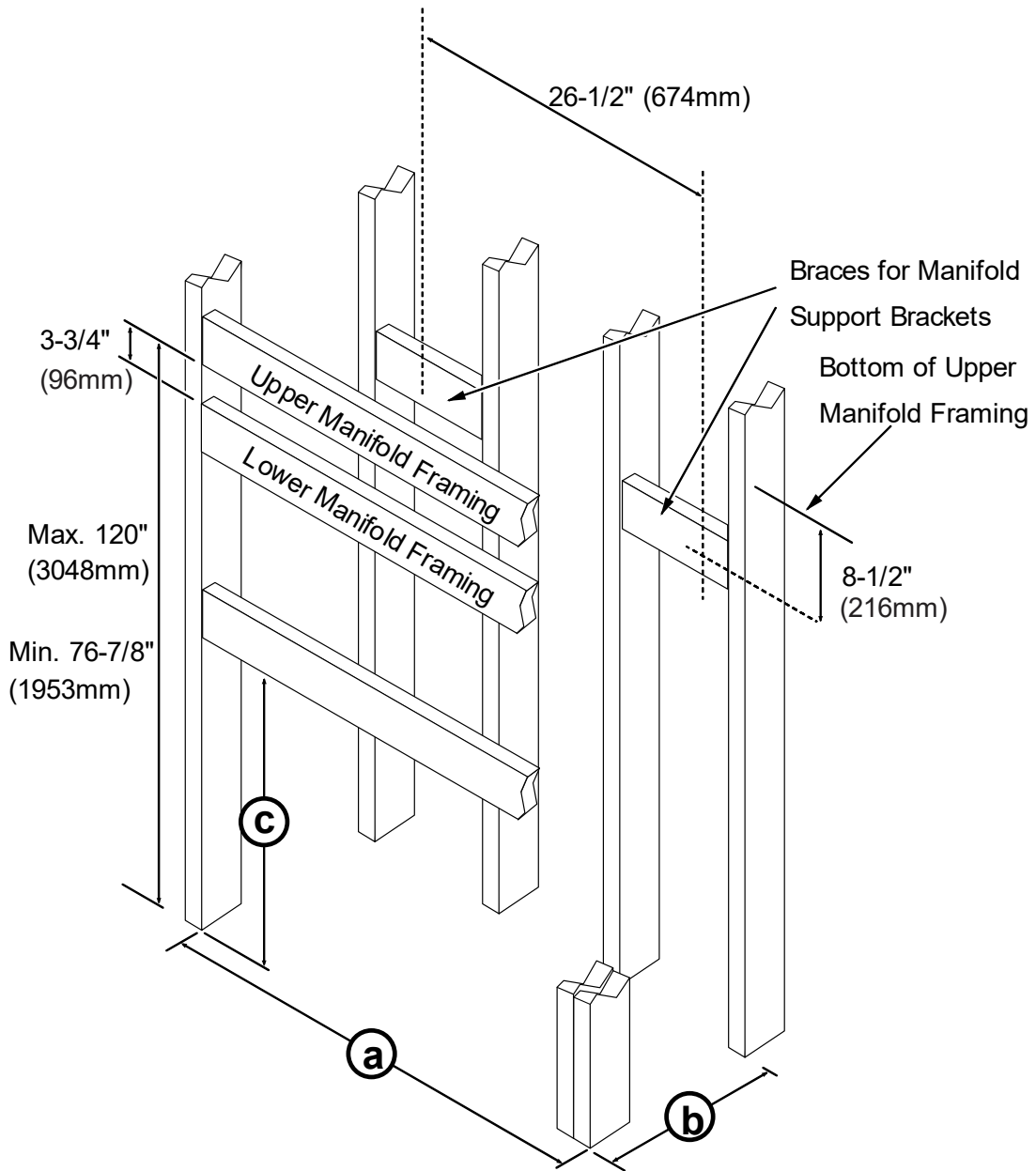
564 TV 35K CF - Fireplace Dimensions



564 TV 35K CF - Framing Dimensions - Standard

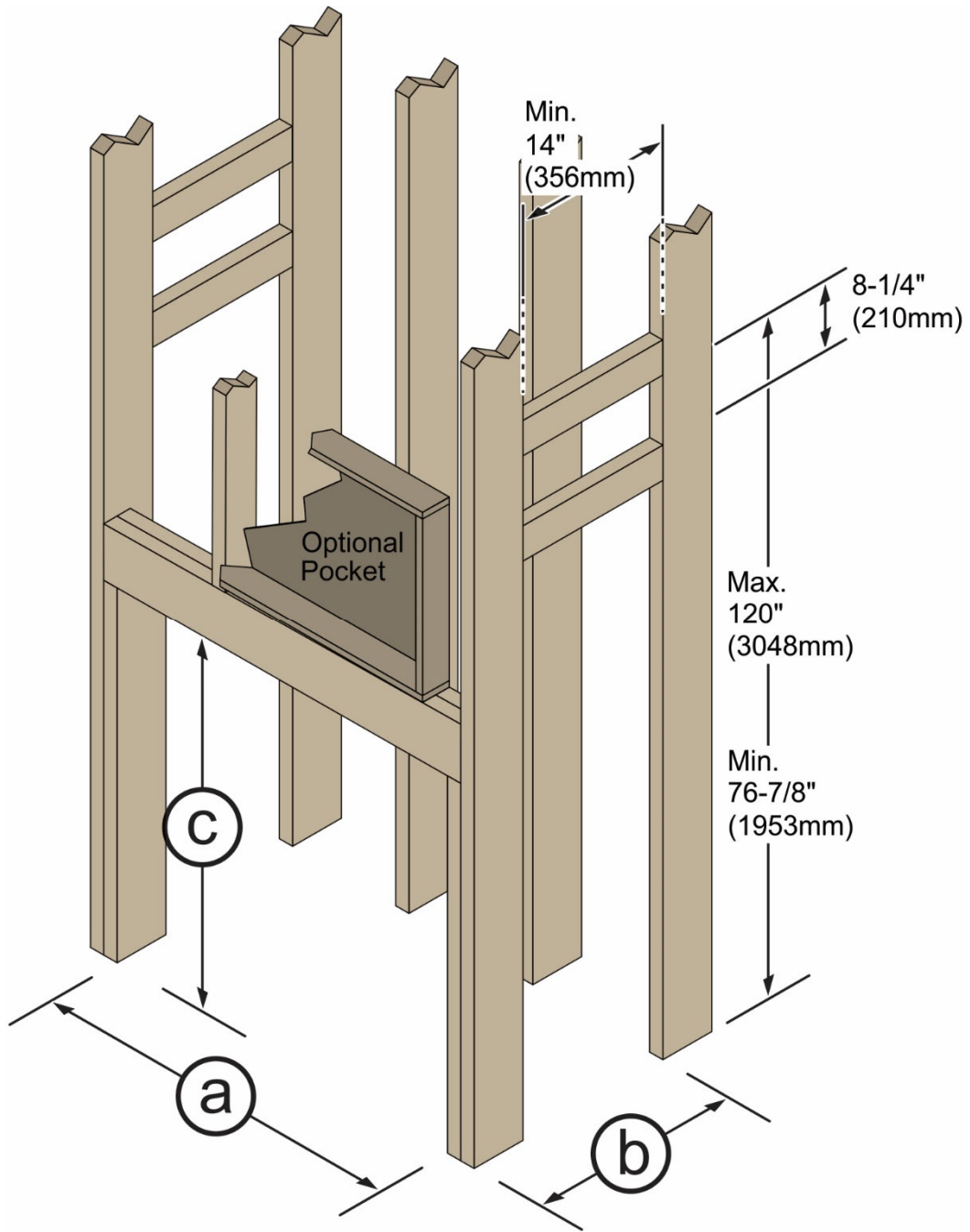


564 TV 35K CF - Framing Dimension - With CoolSmart Kit



564 35K CleanFace	
a	38-3/4" (985mm)
b	19-3/8" (493mm) Flush 18-7/8" (480mm) Extended
c	37-1/4" (947mm)

564 TV 35K CF - Framing Dimension - With CoolSmart Side Vent Kit



564 35K CleanFace	
a	38-3/4" (985mm)
b	19-3/8" (493mm) Flush 18-7/8" (480mm) Extended
c	37-1/4" (947mm)

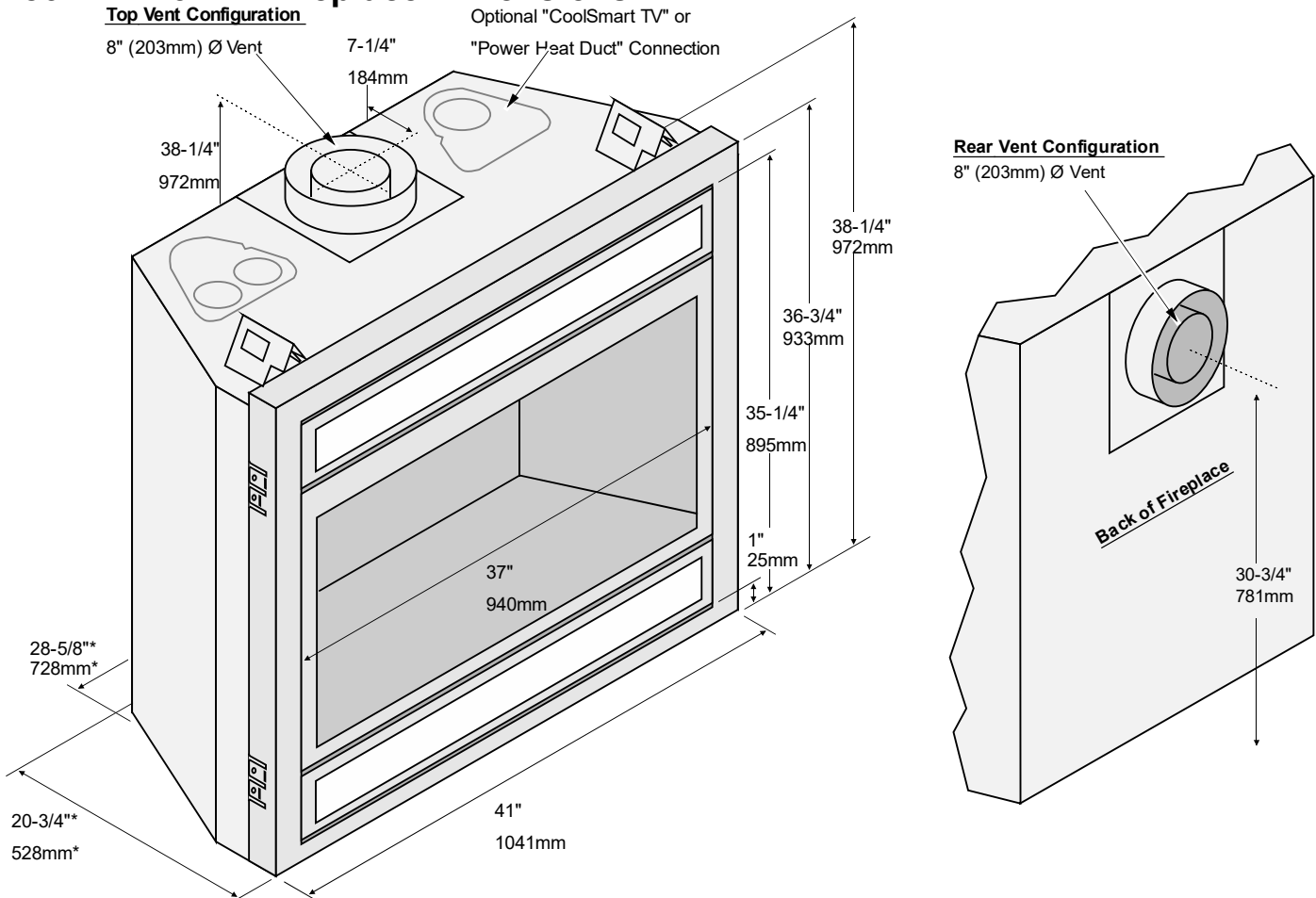
864 TRV 31K

- Heating Capacity: Up to 1,400 square feet
- BTU Input Per Hour: 10,000 (NG) 8,000 (LP) to 31,000 (NG/LP)
- Glass Viewing Area: Tempered Glass, 34-1/4" W x 22-1/4" H, 758.8 Sq. In.

Scan for
Installation Manual

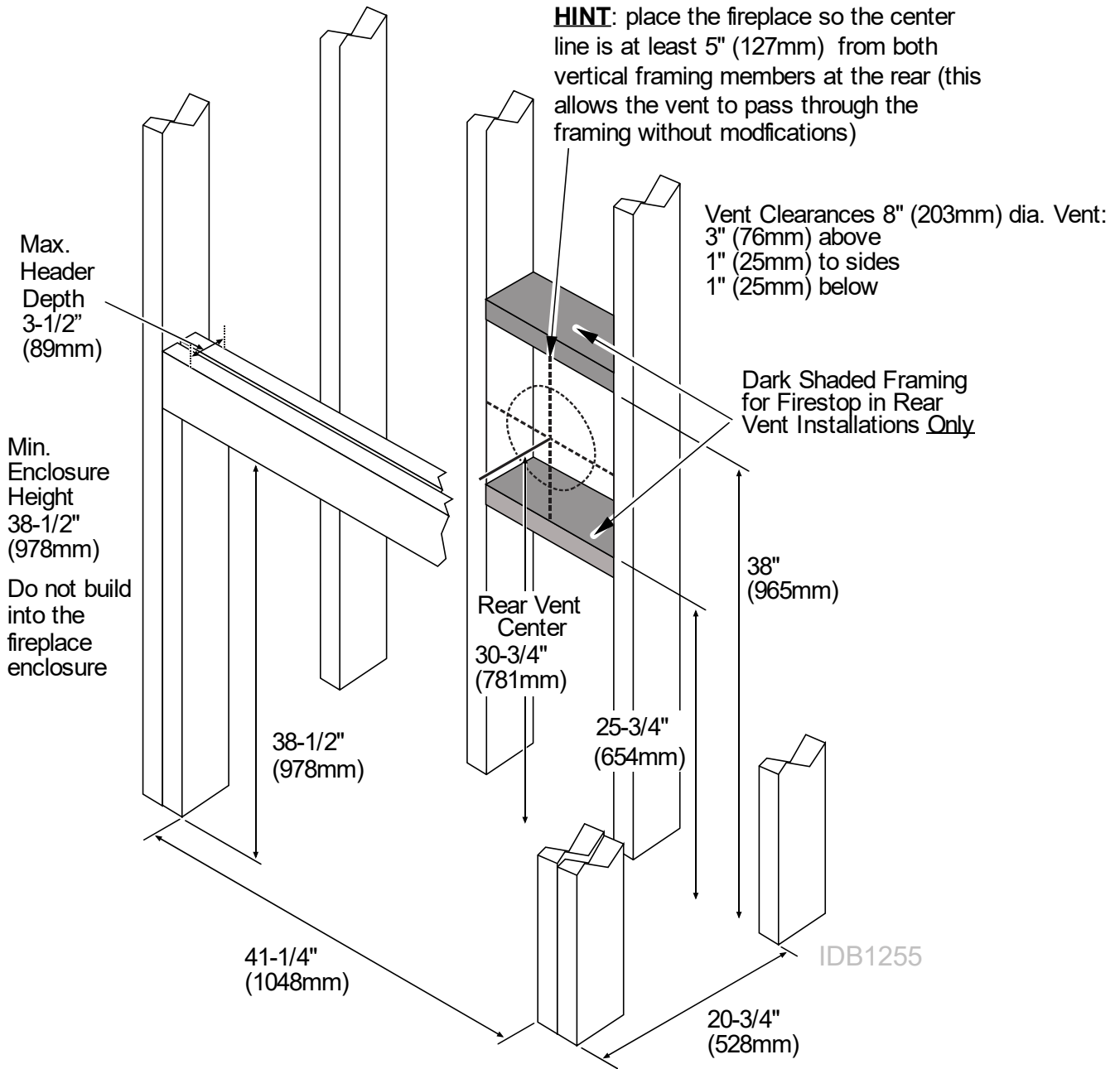


864 TRV 31K - Fireplace Dimensions

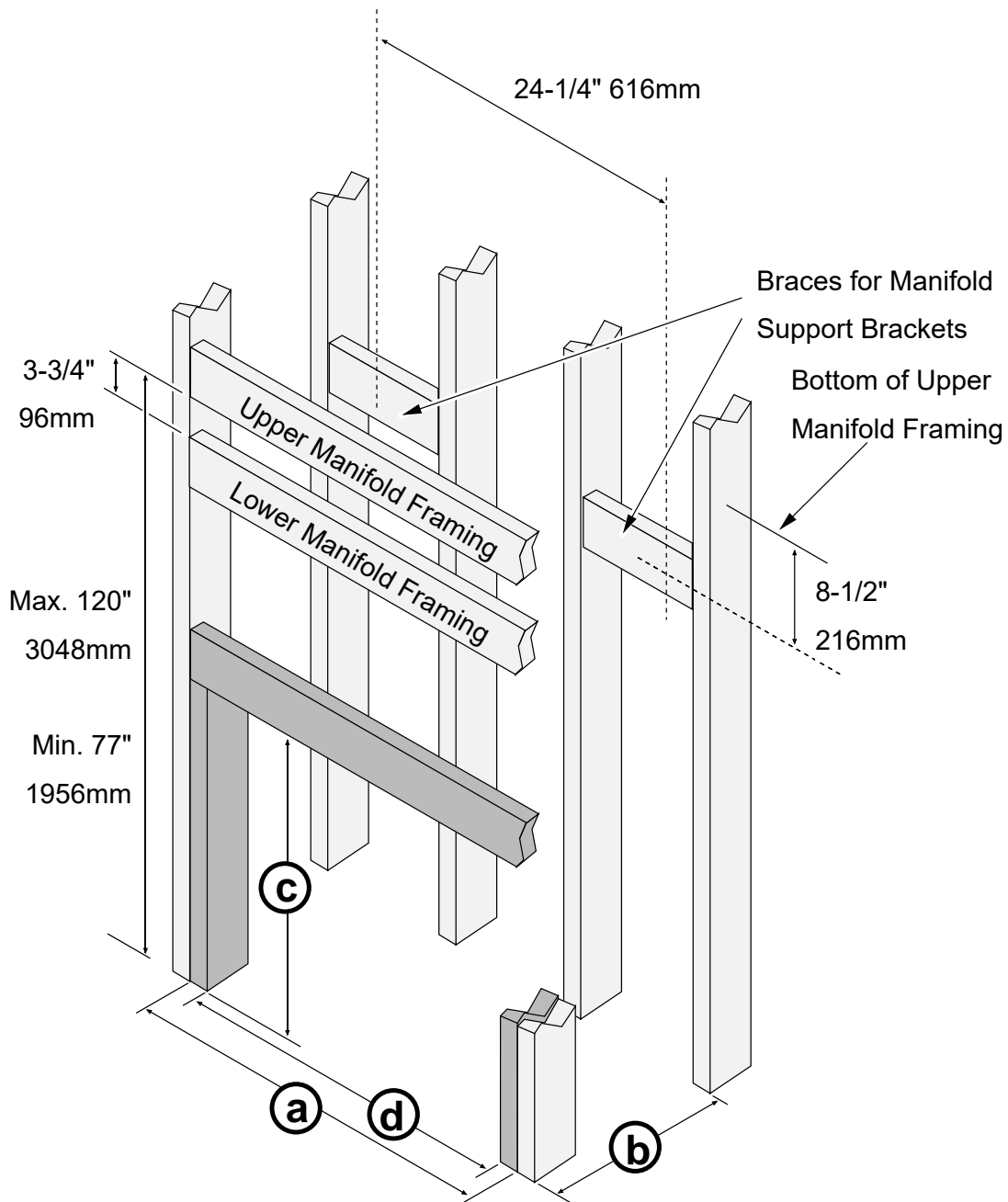


* See "Clearances" and "Framing Dimensions" for details.

864 TRV 31K - Framing Dimensions - Standard



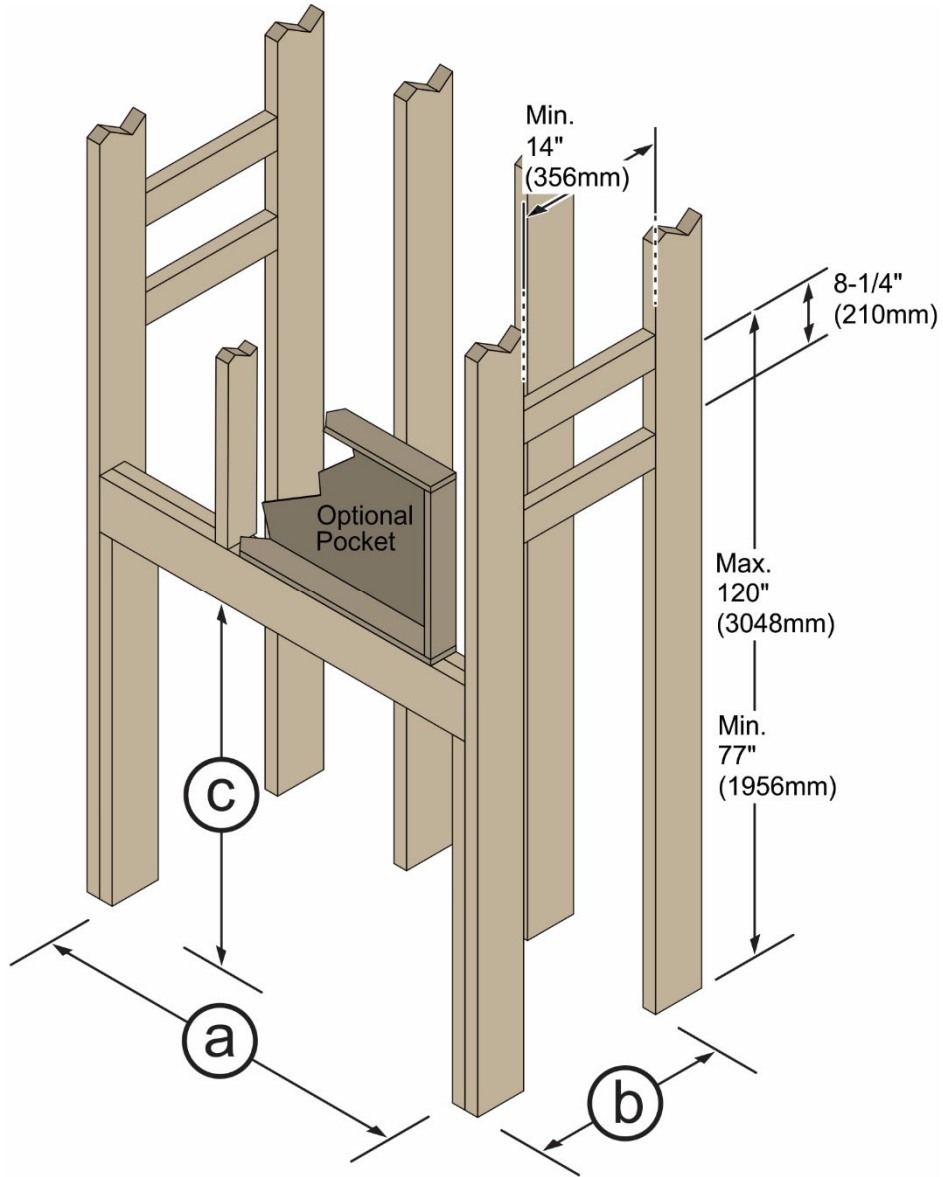
864 TRV 31K - Framing Dimension - With CoolSmart Kit



864 31K	
a	43-1/2" (1105mm)
b	20-3/4" (528mm)
c	38-1/2" (978mm)*
d	41-1/4" (1048mm)*

* The dark-shaded framing is installed after the manifold is installed. It is used to secure the nailing brackets on the fireplace to the framing. It also provides support for the facing above the fireplace. This framing is not required in some cases (you may use other methods to secure the nailing brackets and facing).

864 TRV 31K - Framing Dimension - With CoolSmart Side Vent Kit



864 31K	
a	41-1/4" (1048mm)
b	20-3/4" (528mm)
c	38-1/2" (978mm)

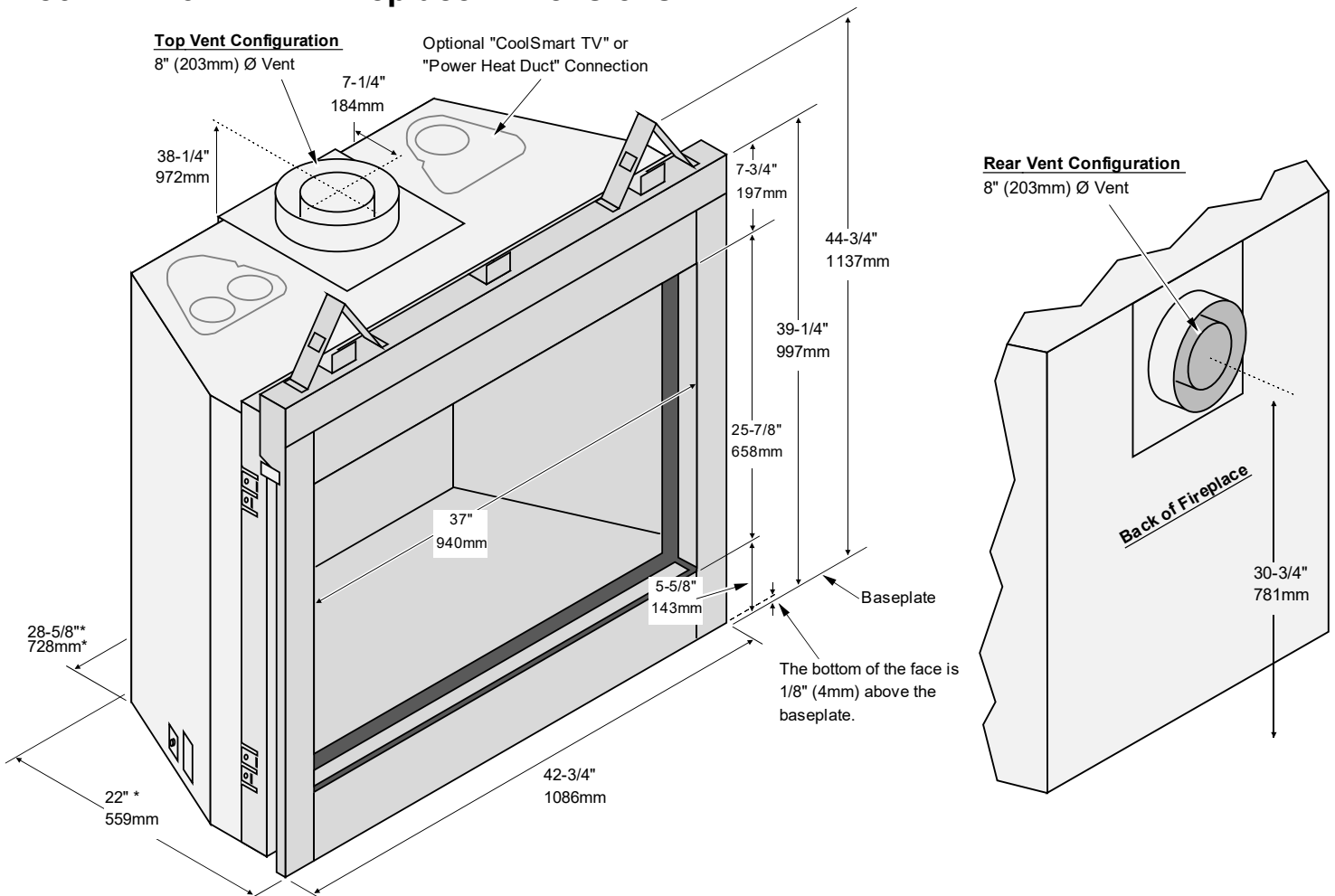
864 TRV 31K CleanFace

- Heating Capacity: Up to 1,400 square feet
- BTU Input Per Hour: 10,000 (NG) 8,000 (LP) to 31,000 (NG/LP)
- Glass Viewing Area: Tempered Glass, 34-1/4" W x 22-1/4" H x 2, 758.8 Sq. In.

Scan for
Installation Manual

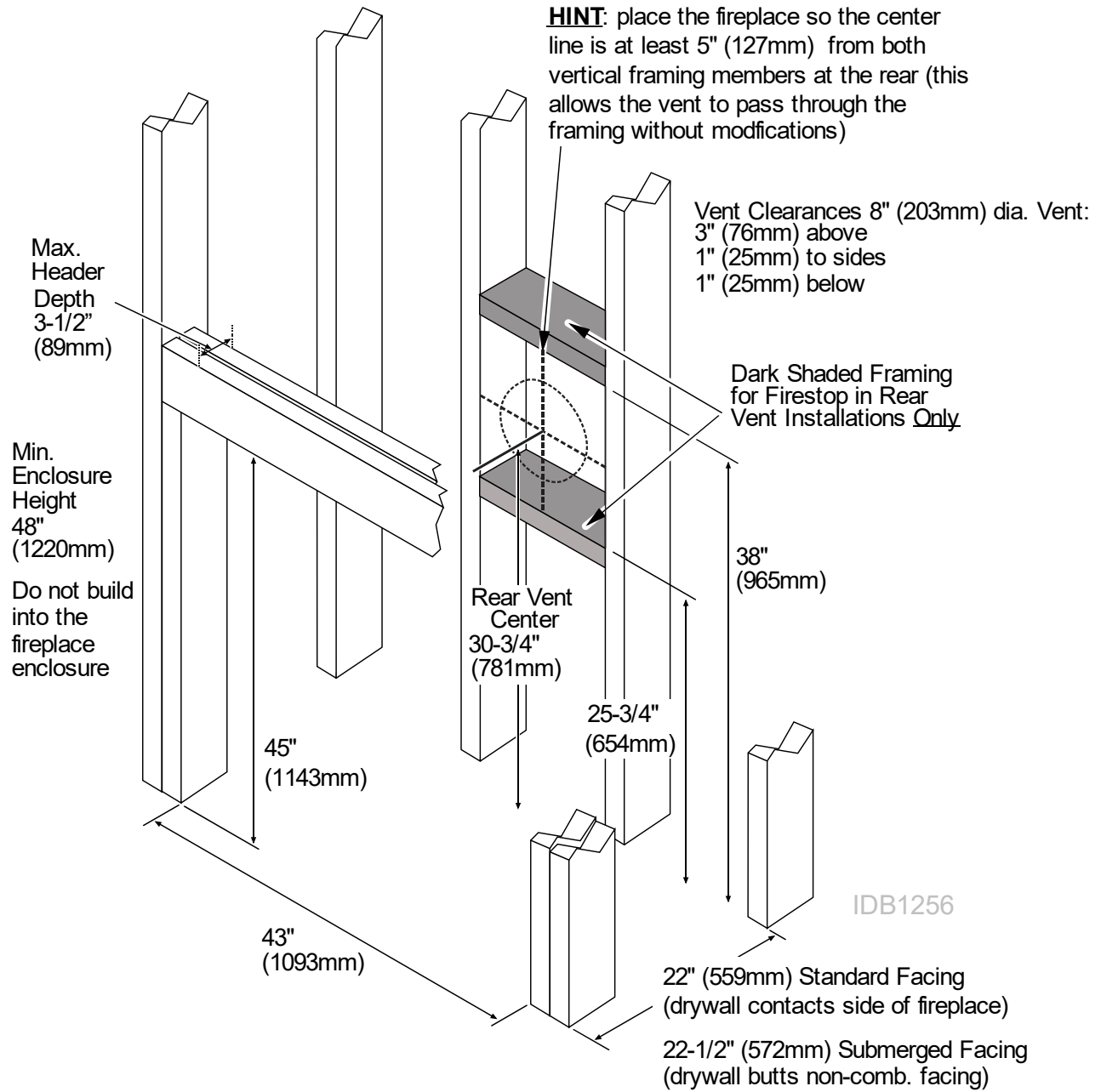


864 TRV 31K CF - Fireplace Dimensions

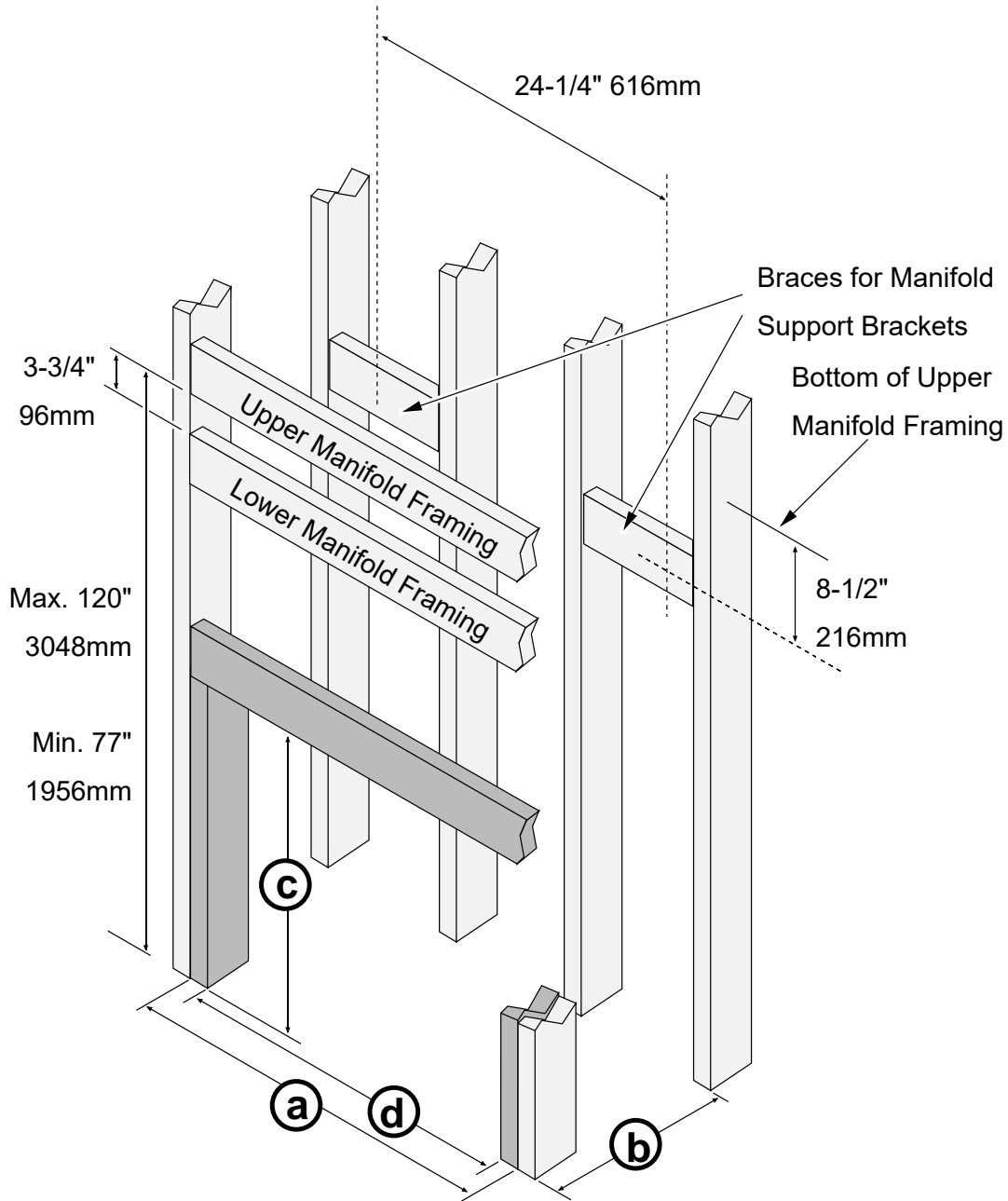


* See "Clearances" and "Framing Dimensions" for details.

864 TRV 31K CF - Framing Dimensions - Standard



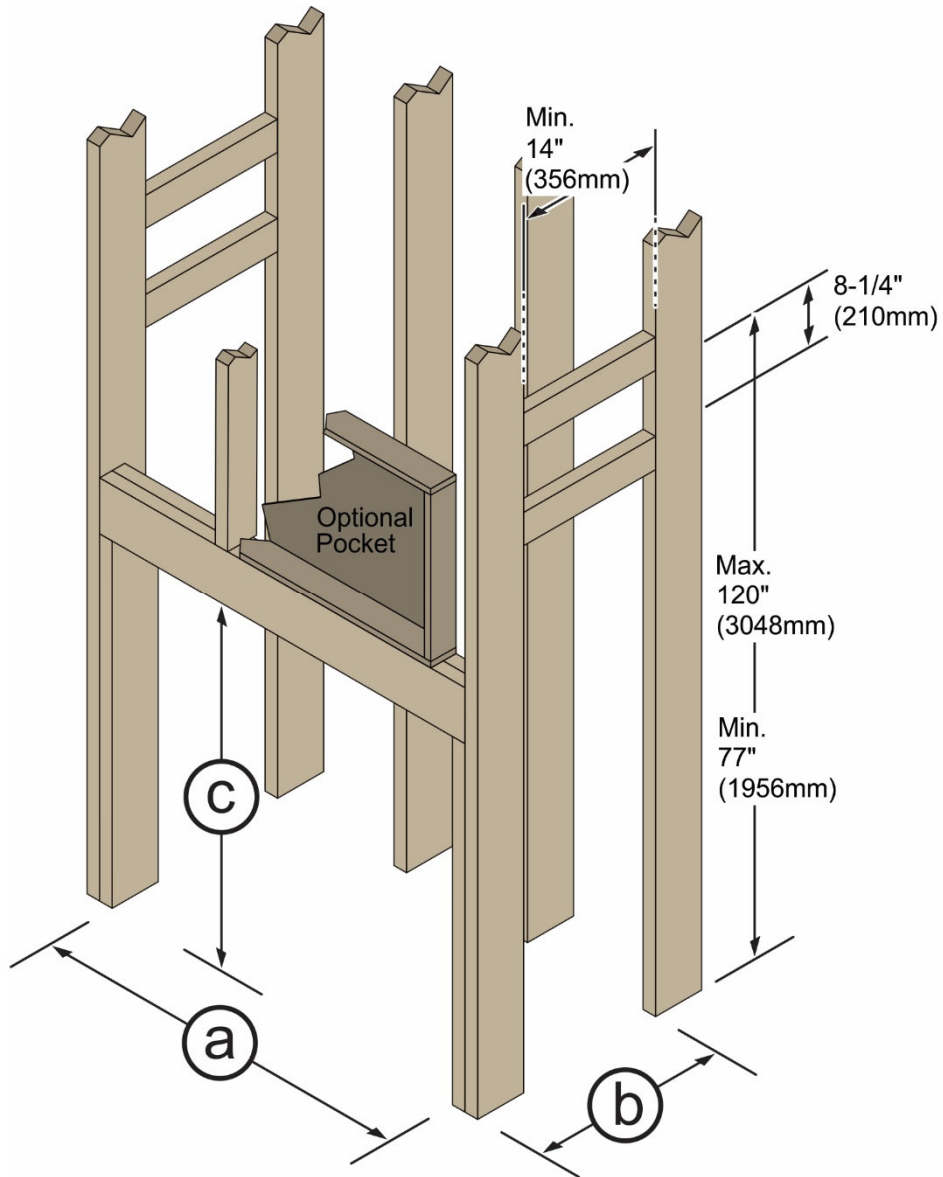
864 TRV 31K CF - Framing Dimension - With CoolSmart Kit



864 31K CF	
a	43-1/2" (1105mm)
b	22-1/2" (572mm)
c	45" (1143mm)*
d	43" 1093mm)*

* The dark-shaded framing is installed after the manifold is installed. It is used to secure the nailing brackets on the fireplace to the framing. It also provides support for the facing above the fireplace. This framing is not required in some cases (you may use other methods to secure the nailing brackets and facing).

864 TRV 31K CF -Framing Dimension - With CoolSmart Side Vent Kit



864 31K CleanFace	
a	43" (1093mm)
b	22-1/2" (572mm)
c	45" (1143mm)

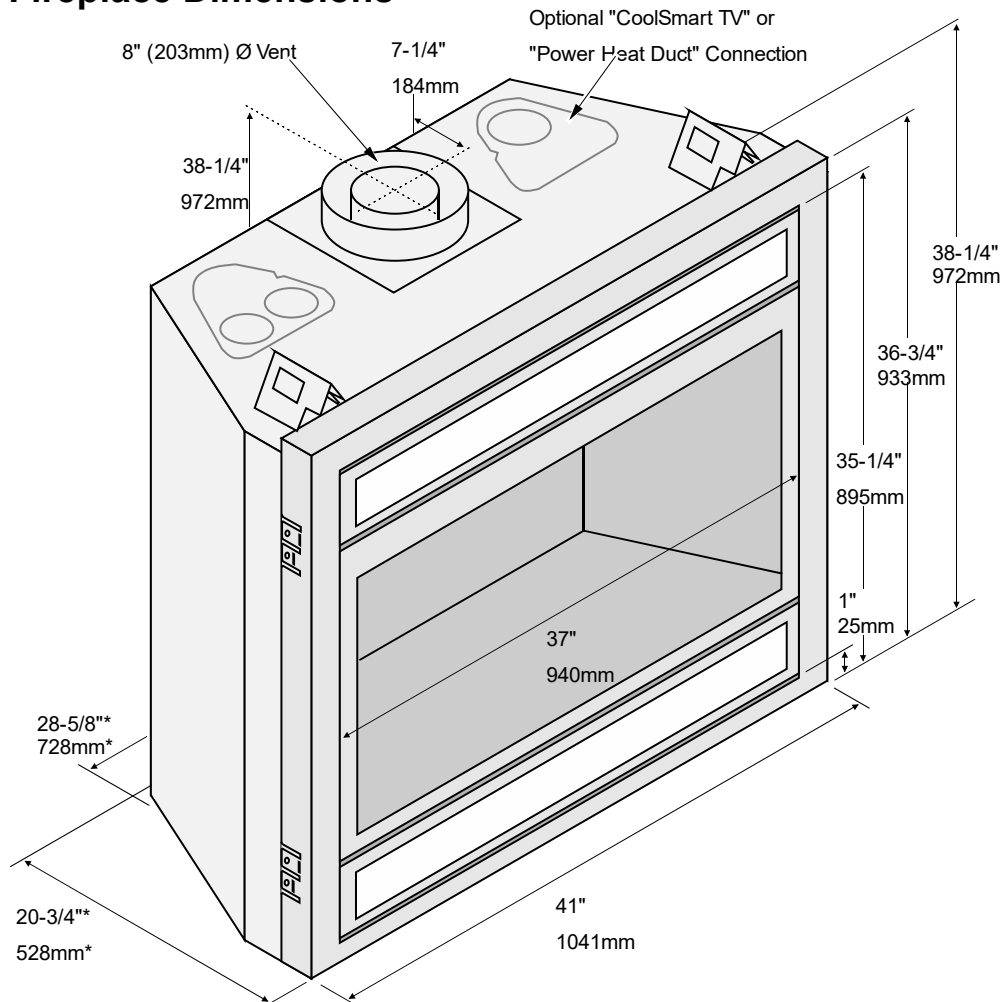
864 TV 40K

- Heating Capacity: Up to 2,000 square feet
- BTU Input Per Hour: 11,000 (NG) 12,000 (LP) to 40,000 (NG/LP)
- Glass Viewing Area: Ceramic Glass, 34-1/4" W x 22-1/4" H x 2, 758.8 Sq. In.

Scan for
Installation Manual

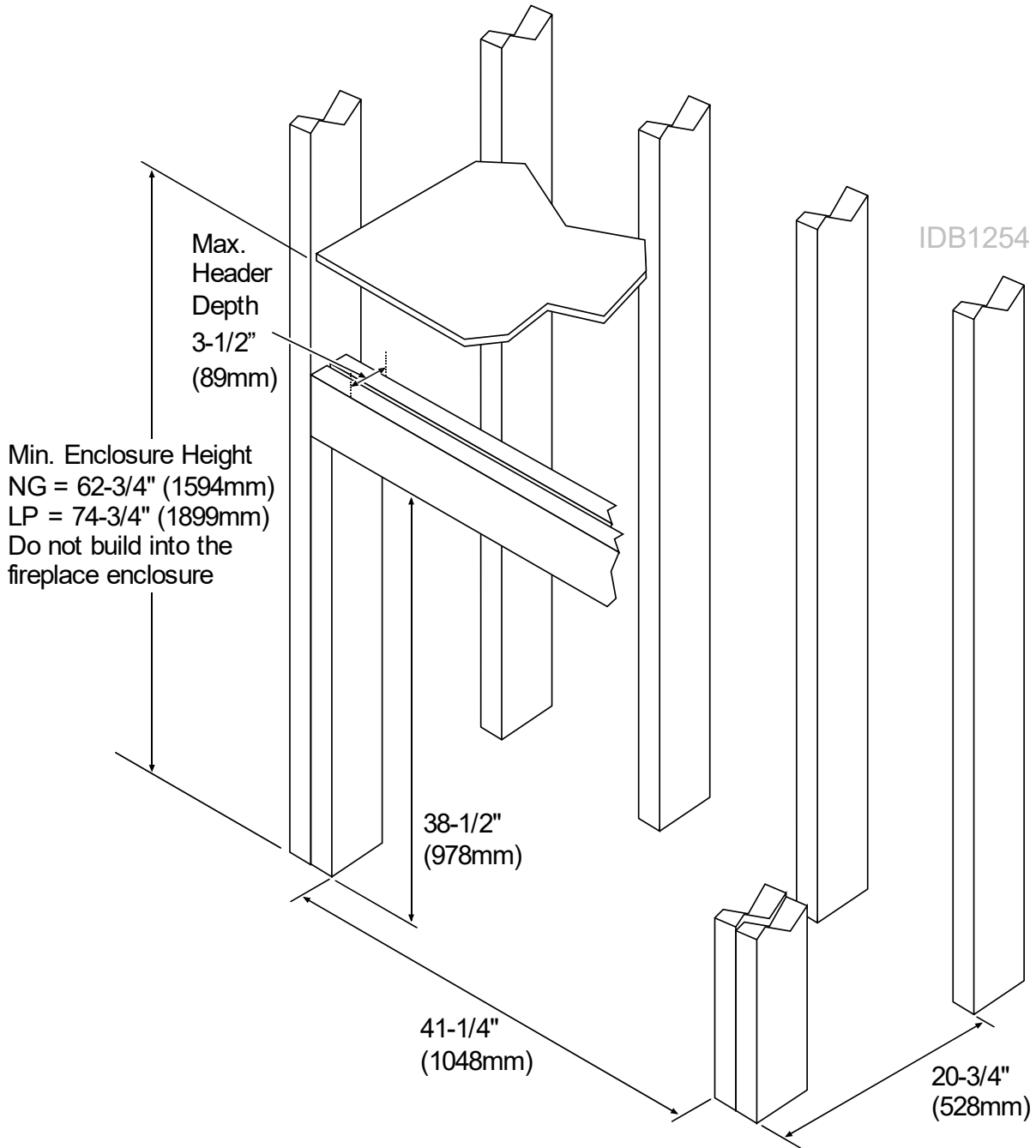


864 TV 40K - Fireplace Dimensions

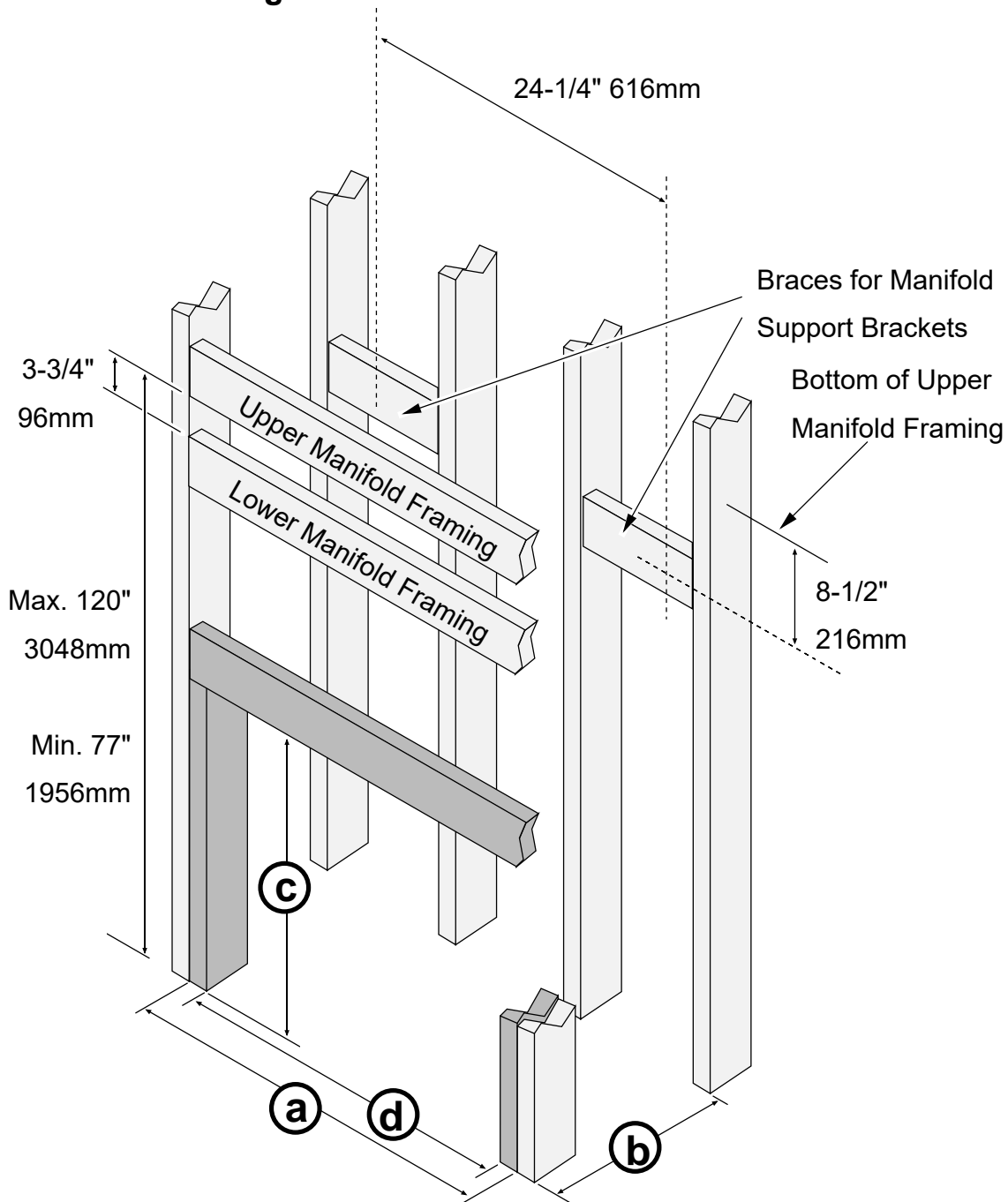


* See "Clearances" and "Framing Dimensions" for details.

864 TV 40K - Framing Dimensions - Standard



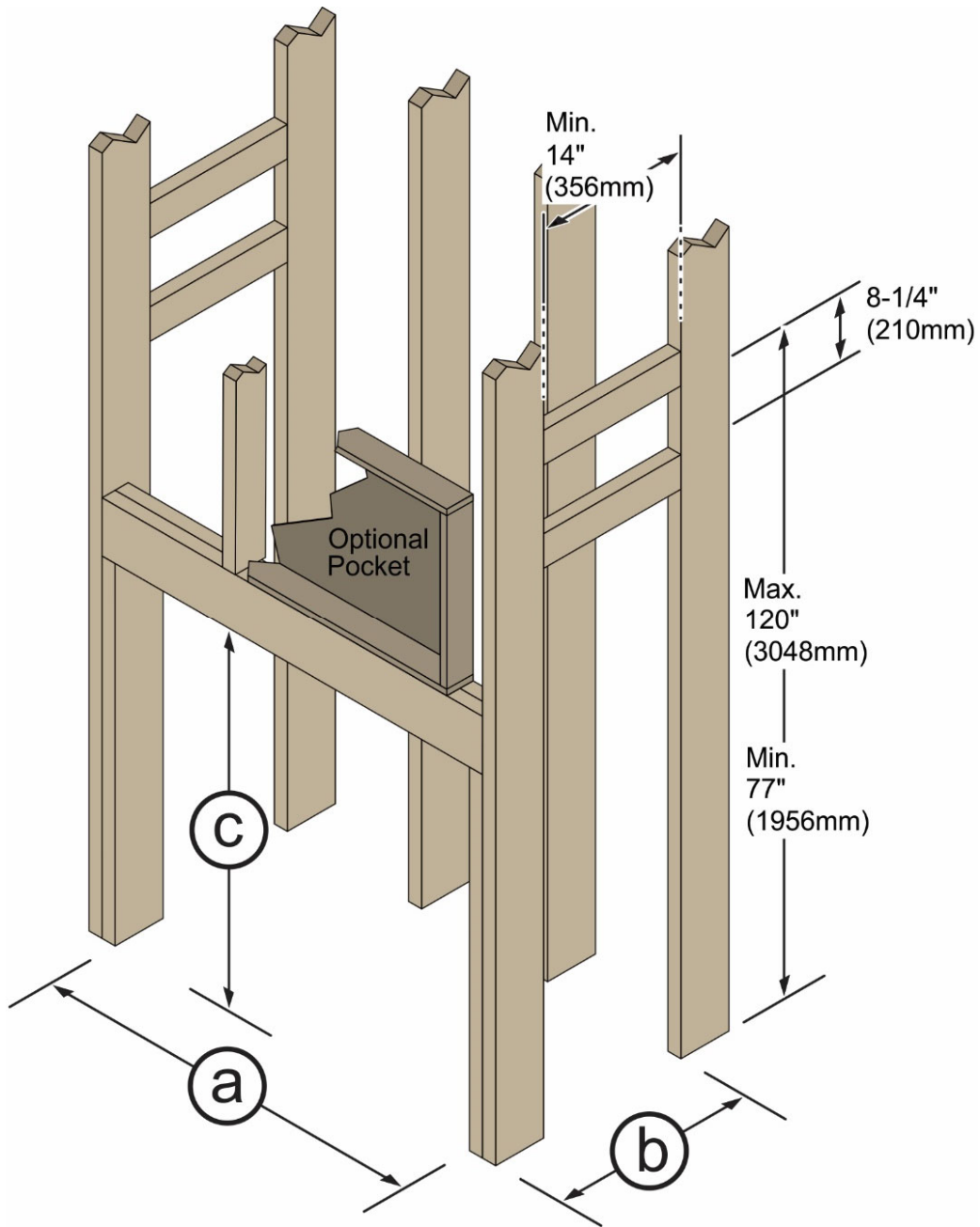
864 TV 40K - Framing Dimension - With CoolSmart Kit



864 40K	
a	43-1/2" (1105mm)
b	20-3/4" (528mm)
c	38-1/2" (978mm)*
d	41-1/4" (1048mm)*

* The dark-shaded framing is installed after the manifold is installed. It is used to secure the nailing brackets on the fireplace to the framing. It also provides support for the facing above the fireplace. This framing is not required in some cases (you may use other methods to secure the nailing brackets and facing).

864 TV 40K - Framing Dimension - With CoolSmart Side Vent Kit



864 40K	
a	41-1/4" (1048mm)
b	20-3/4" (528mm)
c	38-1/2" (978mm)

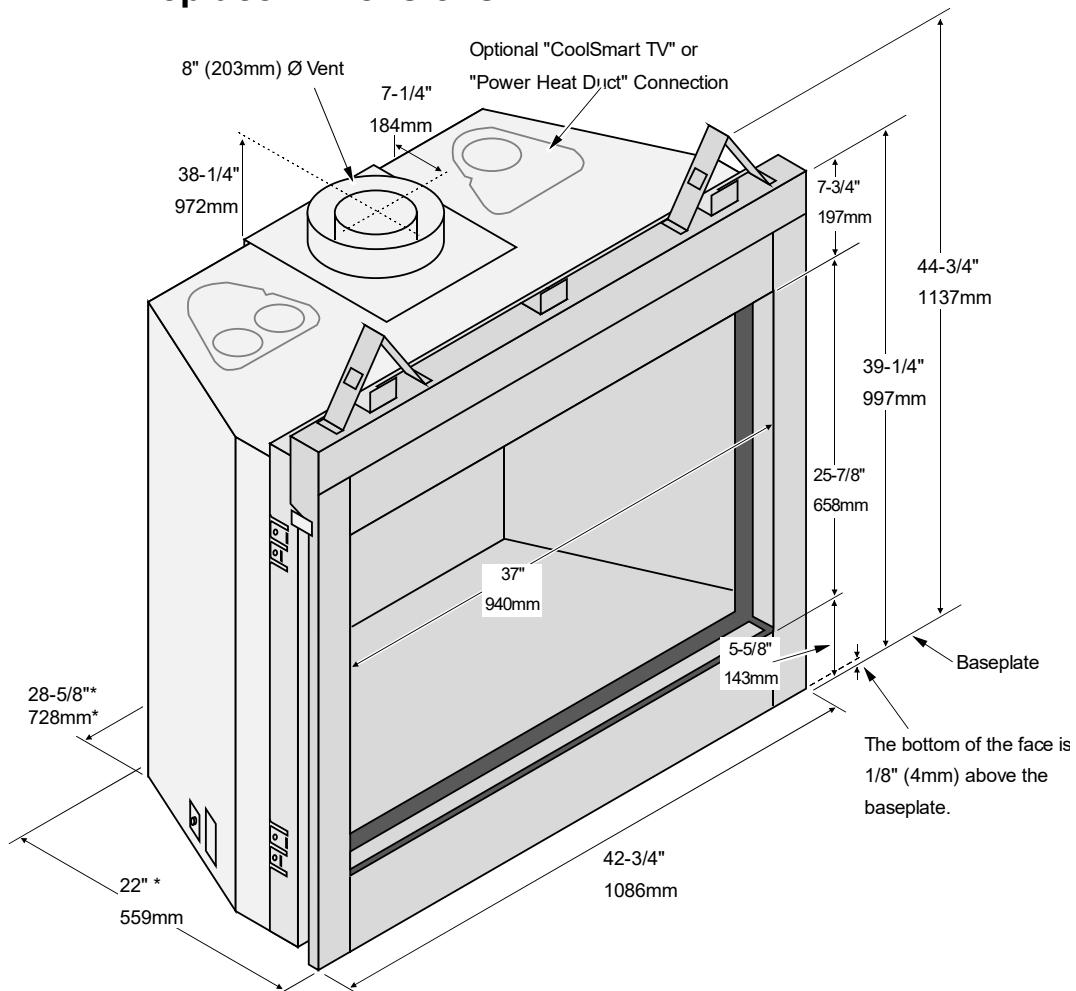
864 TV 40K CleanFace

- Heating Capacity: Up to 2,000 square feet
- BTU Input Per Hour: 11,000 (NG) 12,000 (LP) to 40,000 (NG/LP)
- Glass Viewing Area: Ceramic Glass, 34-1/4" W x 22-1/4" H x 2, 758.8 Sq. In.

Scan for
Installation Manual

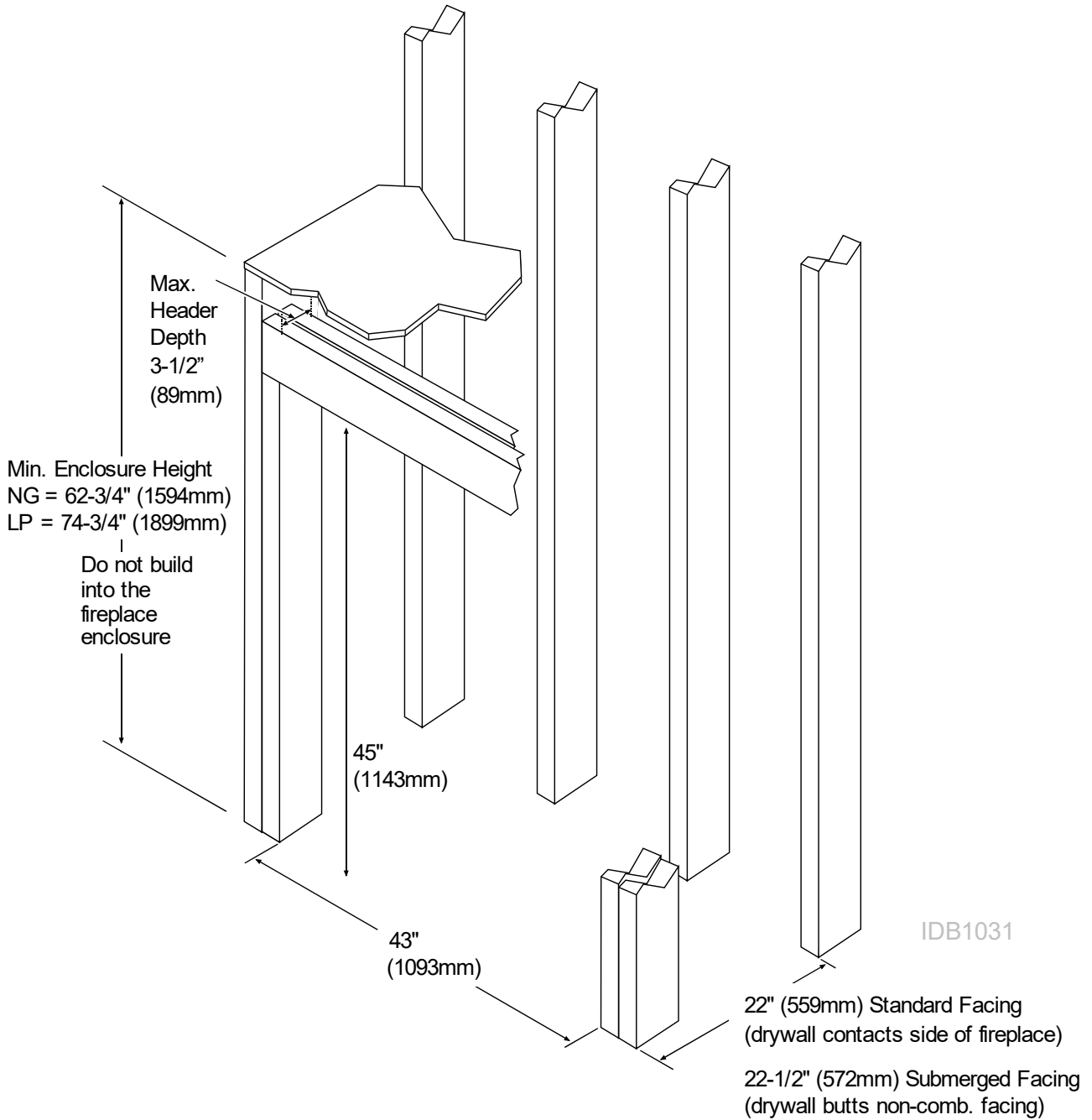


864 TV 40K CF - Fireplace Dimensions

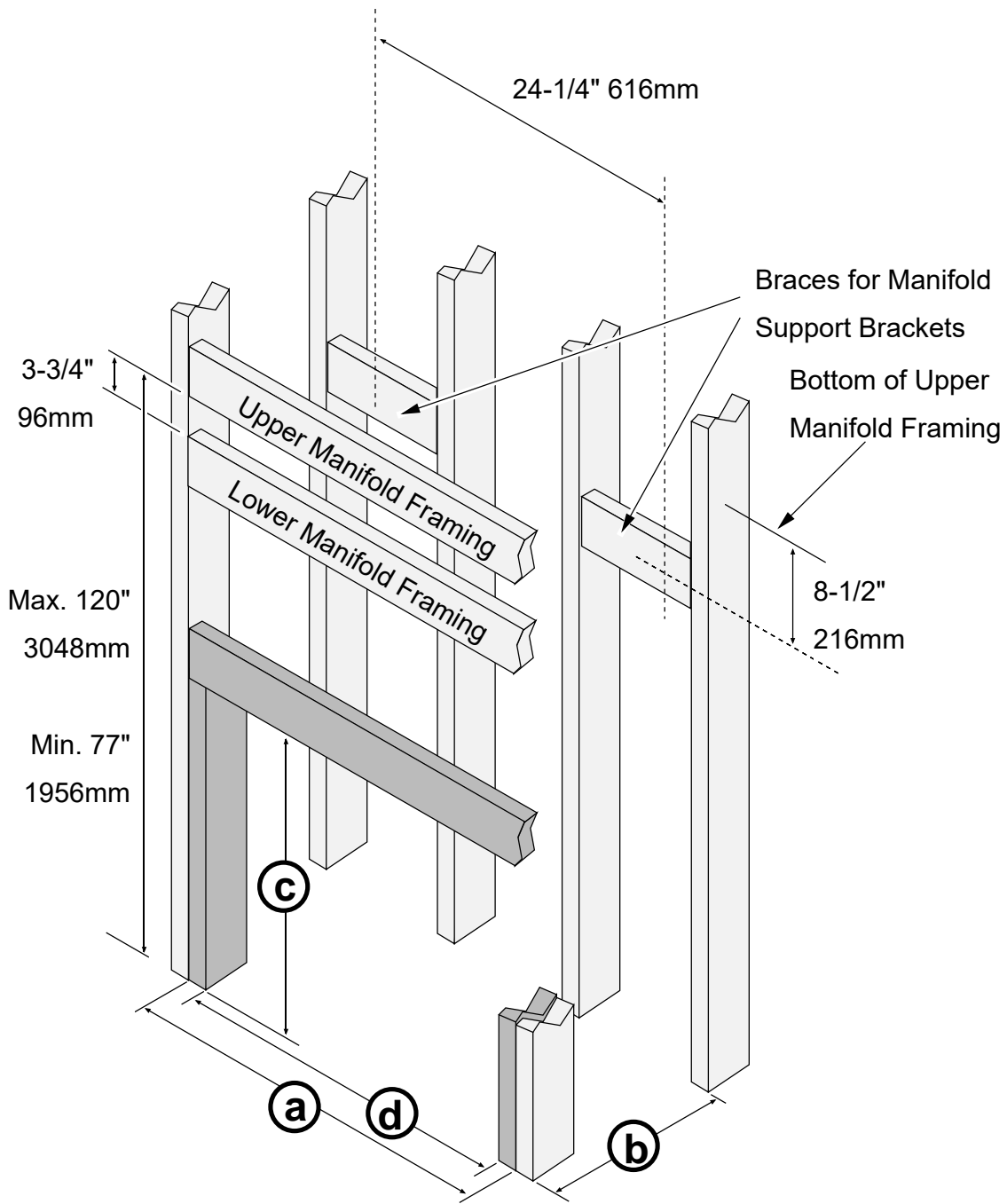


* See "Clearances" and "Framing Dimensions" for details.

864 TV 40K CF - Framing Dimensions - Standard



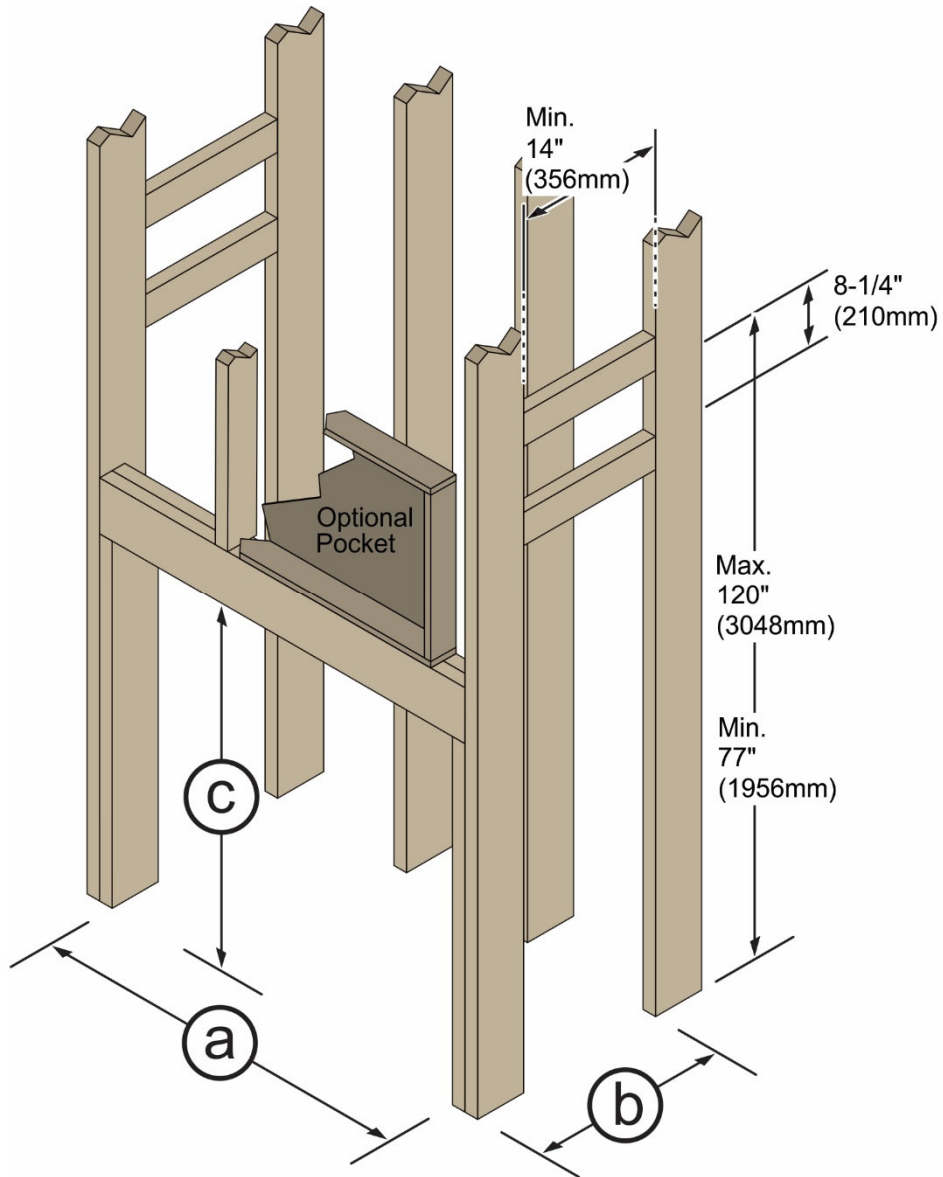
864 TV 40K CF - Framing Dimension - With CoolSmart Kit



864 40K CleanFace	
a	43-1/2" (1105mm)
b	22-1/2" (572mm)
c	45" (1143mm)*
d	43" 1093mm)*

* The dark-shaded framing is installed after the manifold is installed. It is used to secure the nailing brackets on the fireplace to the framing. It also provides support for the facing above the fireplace. This framing is not required in some cases (you may use other methods to secure the nailing brackets and facing).

864 TV 40K CF - Framing Dimension - With CoolSmart Side Vent Kit



864 40K CleanFace	
a	43" (1093mm)
b	22-1/2" (572mm)
c	45" (1143mm)

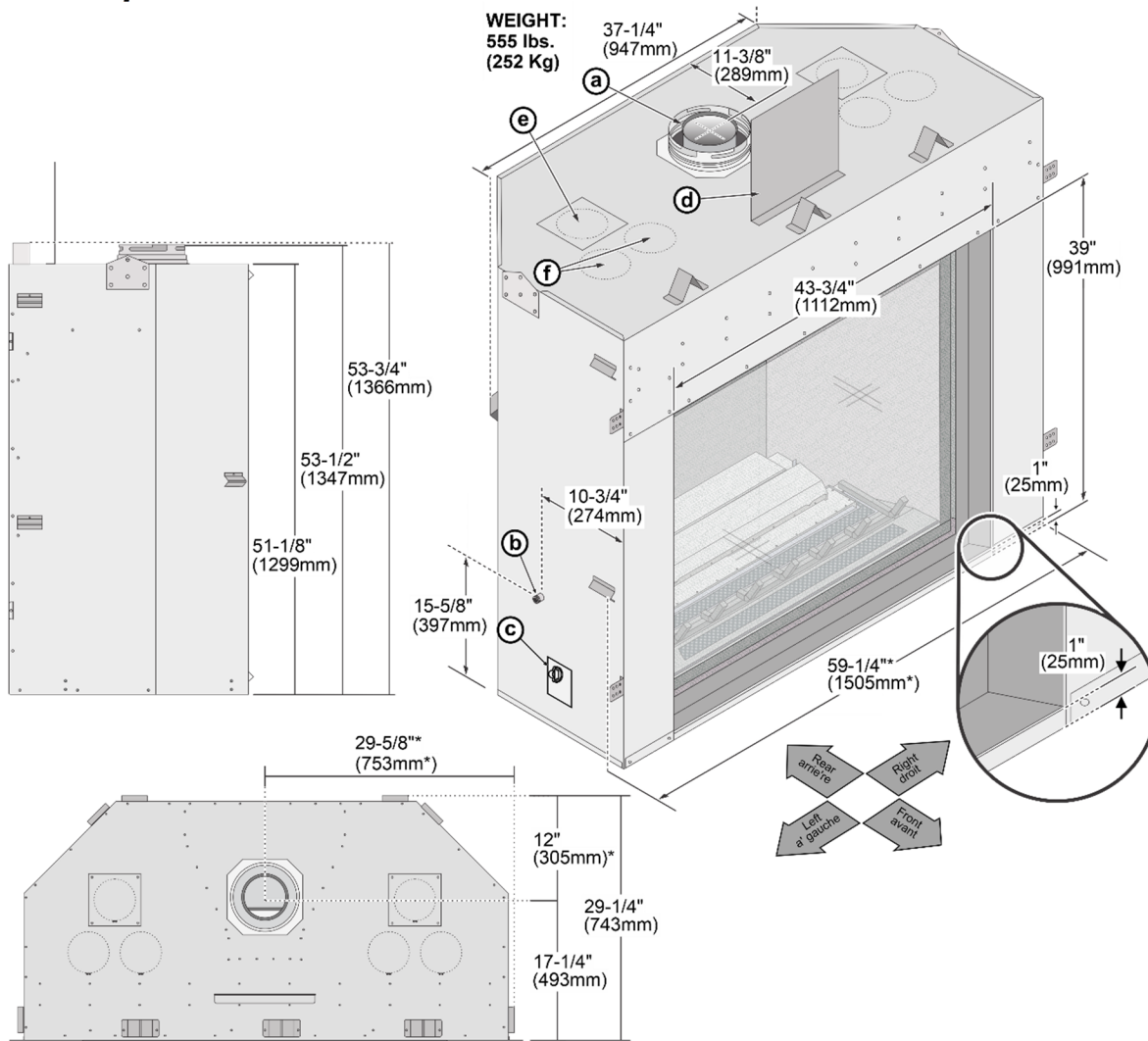
4237 EG

- Heating Capacity: Up to 3,000 square feet
- BTU Input Per Hour: 14,500 (NG) 13,600 (LP) to 60,000 (NG/LP)
- Glass Viewing Area: Ceramic Glass, 39-7/8" W x 34-7/8" H, 1388 Sq. In.

Scan for
Installation Manual

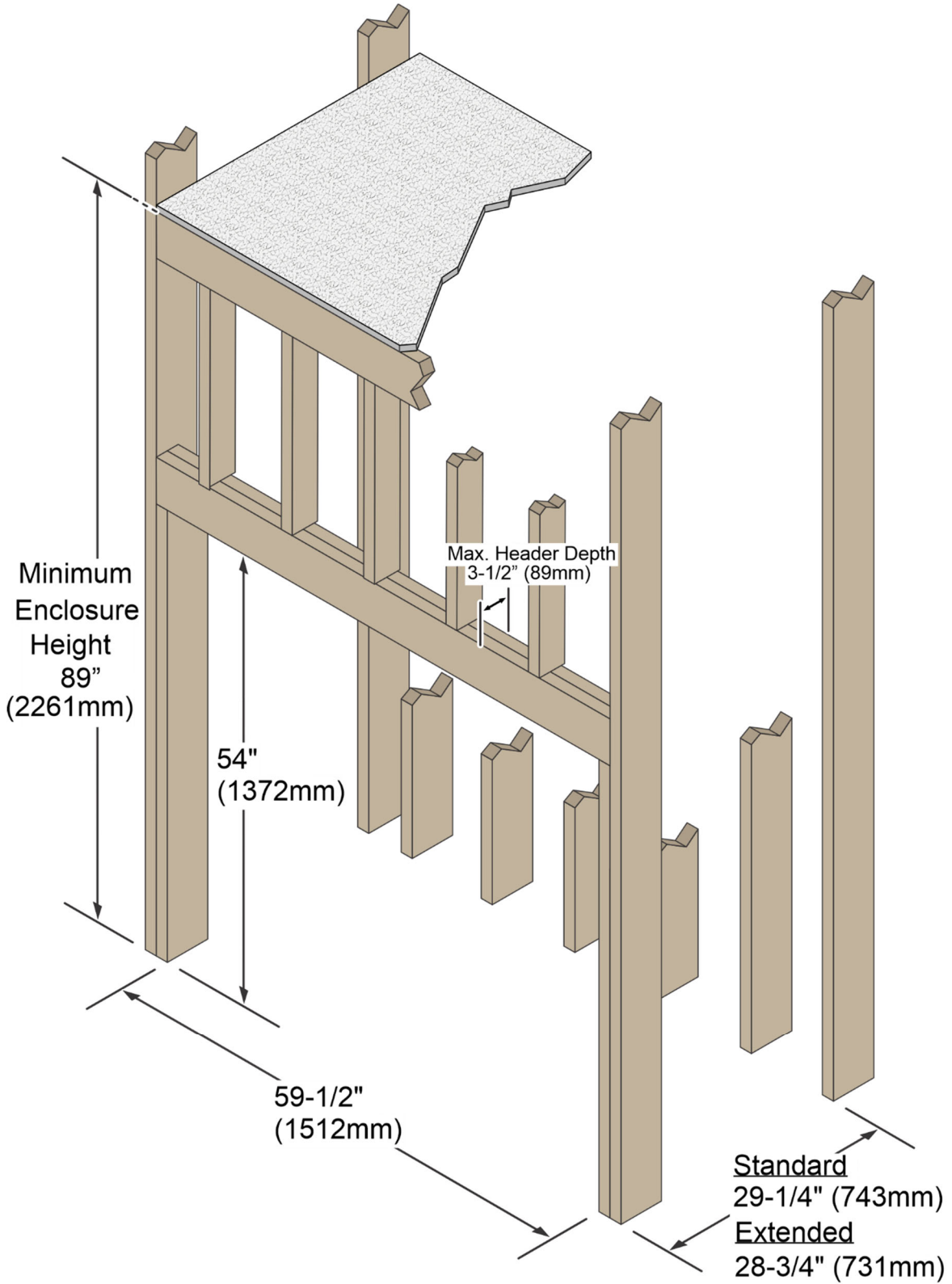


4237 EG - Fireplace Dimensions

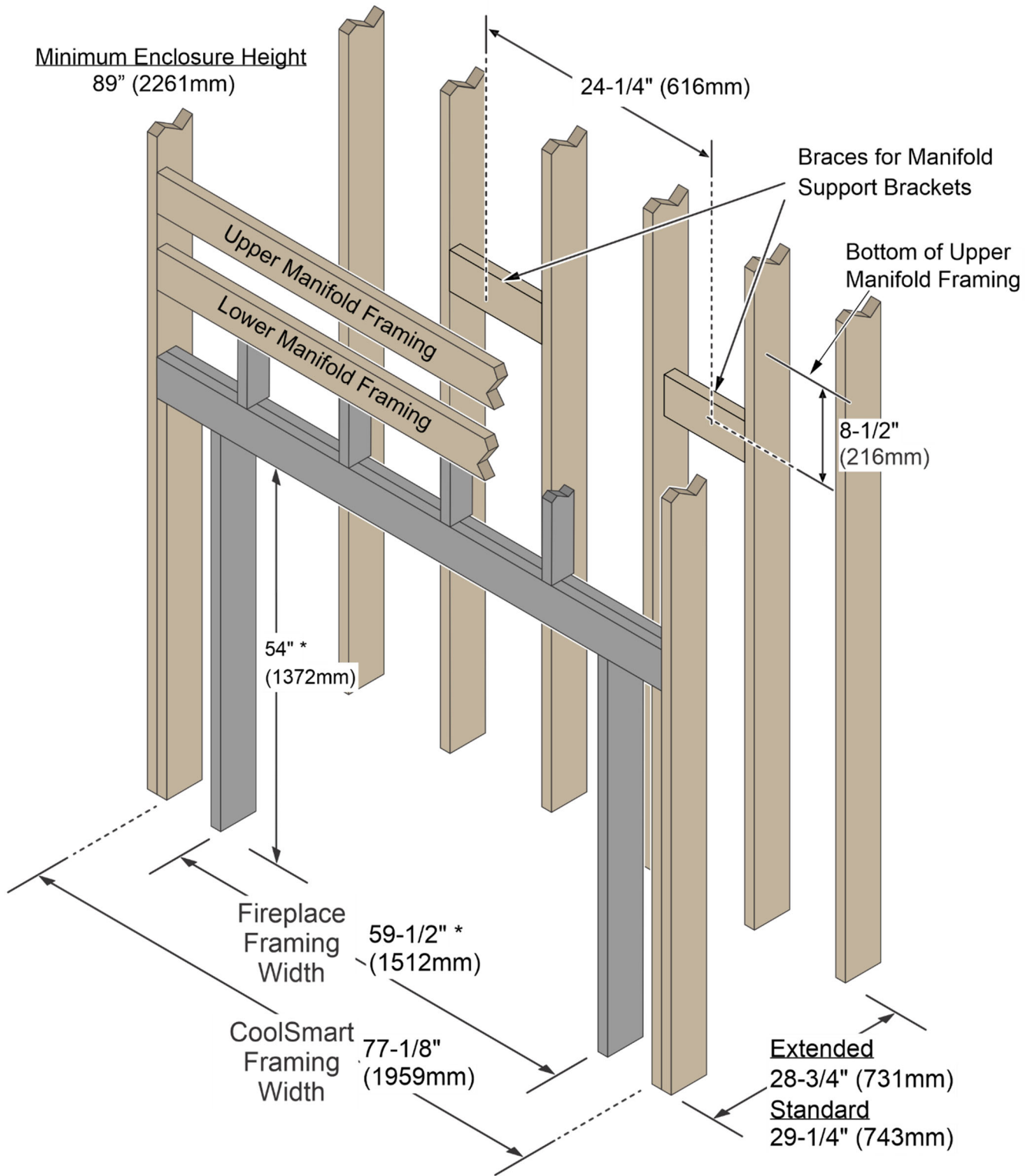


*Dimensions Include the standoffs

4237 EG - Framing Dimensions - Standard

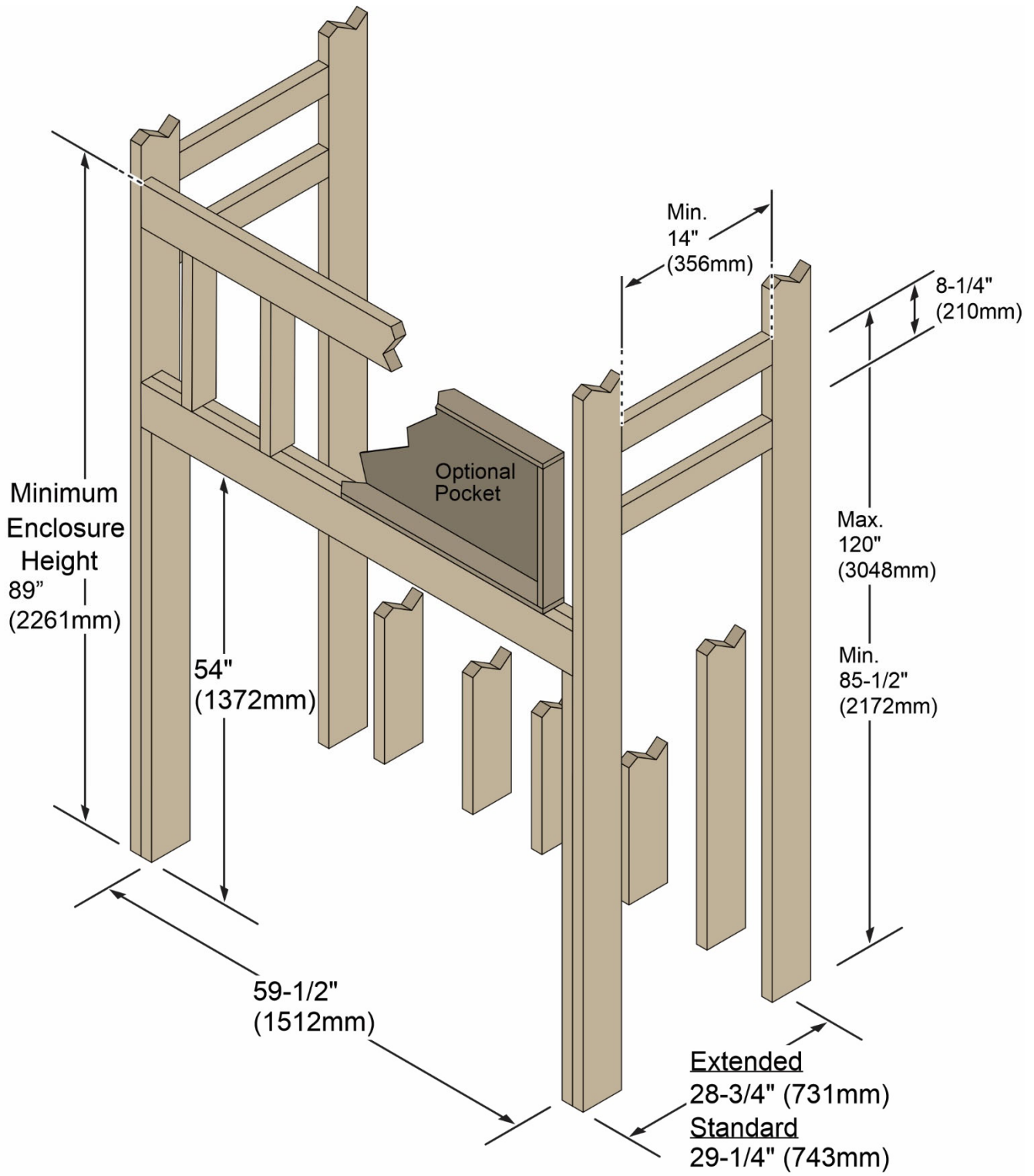


4237 EG - Framing Dimension - With CoolSmart Kit



* The dark-shaded framing should be installed after the fireplace is put into position. It is used to provide support for the facing above the fireplace and nailing brackets that secure the fireplace.

4237 EG - Framing Dimension - With CoolSmart Side Vent Kit



3615 HO Linear

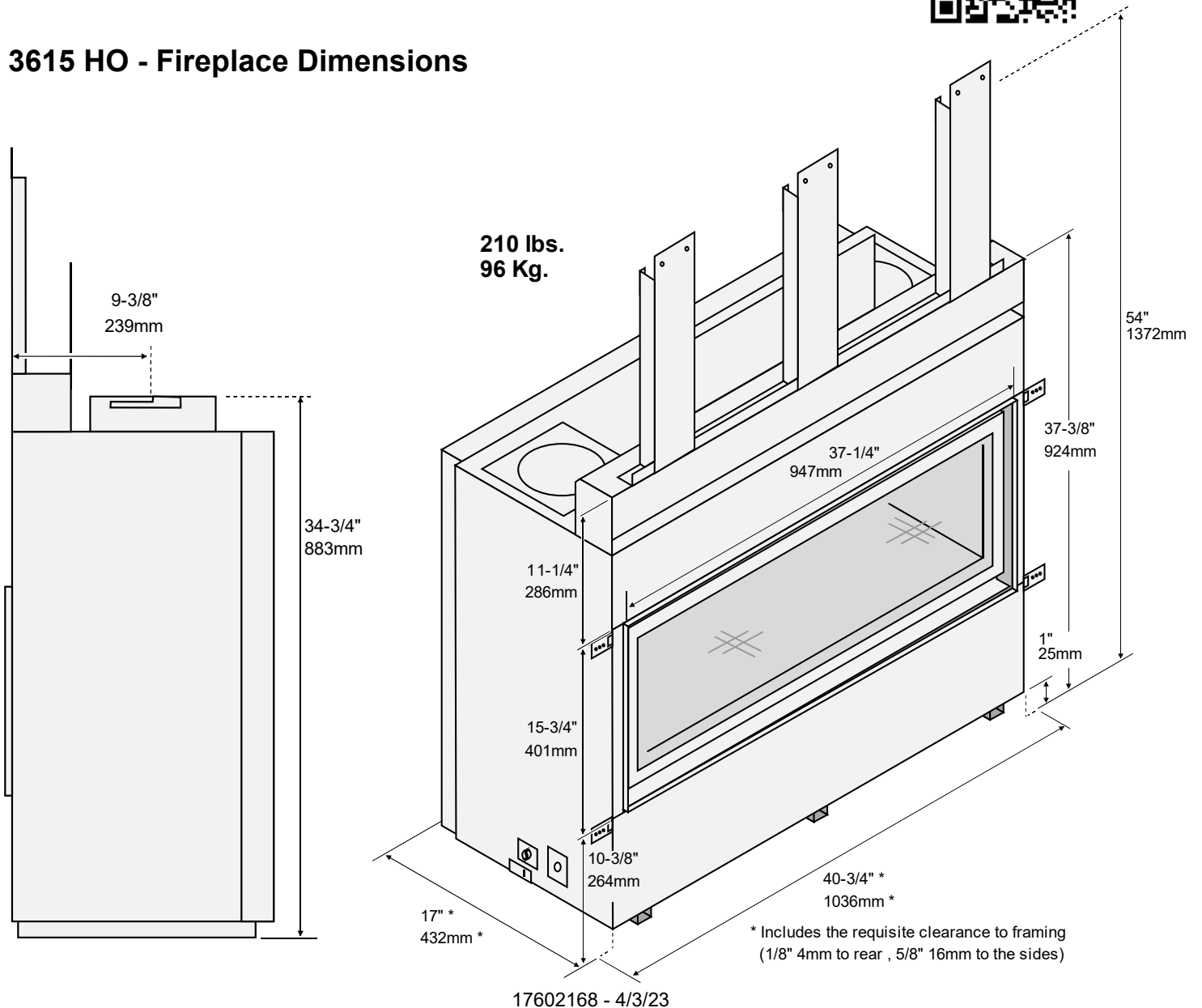


- Heating Capacity: Up to 1,700 Sq. Ft.
- BTU Input Per Hour: 18,331 (NG) 17,555 (LP) to 33,000 (NG/LP)
- Glass Viewing Area: Ceramic Glass, 34-1/8" W x 13" H, 440.6 Sq. In.

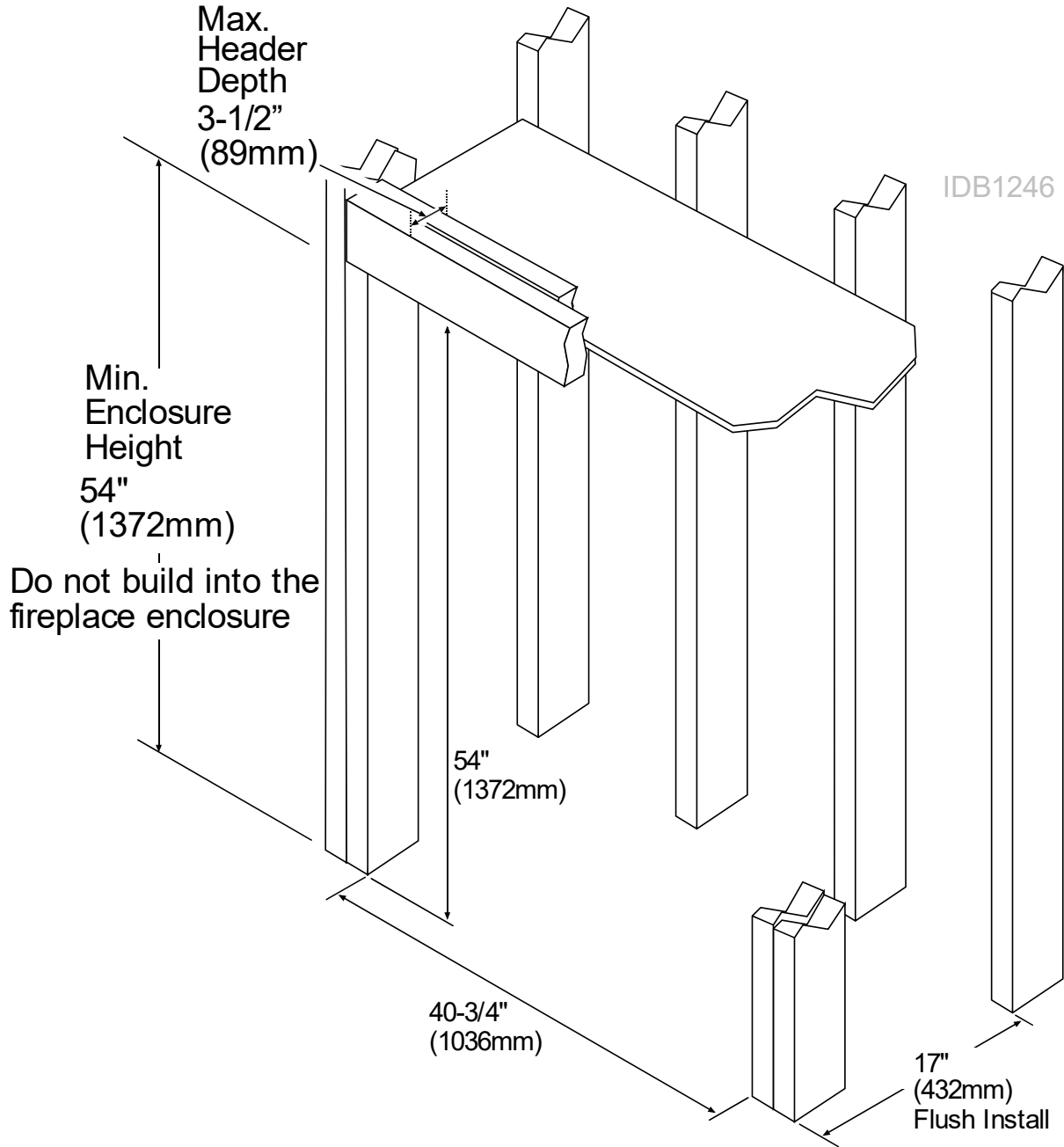
Scan for
Installation Manual



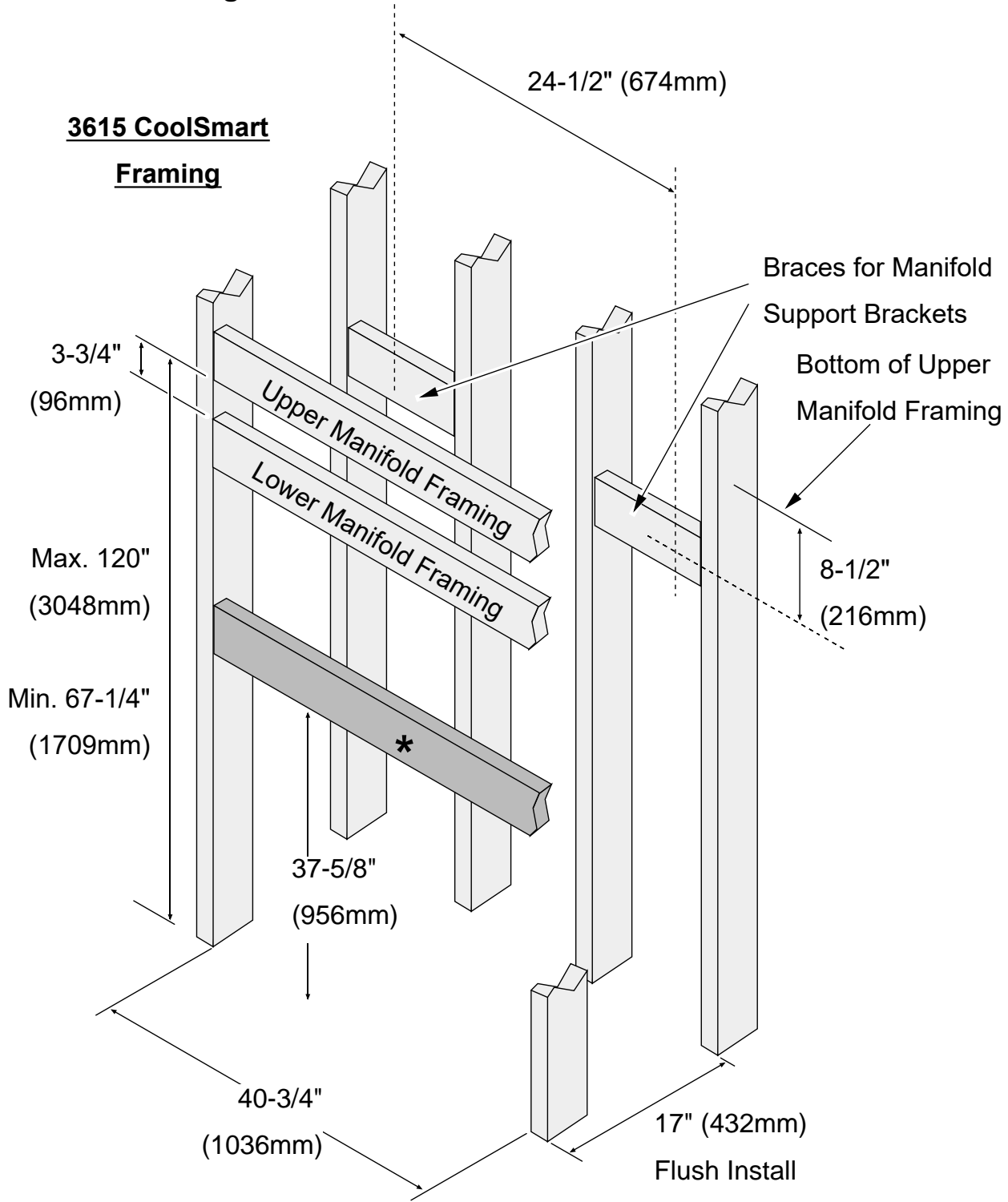
3615 HO - Fireplace Dimensions



3615 HO - Framing Dimensions - Standard

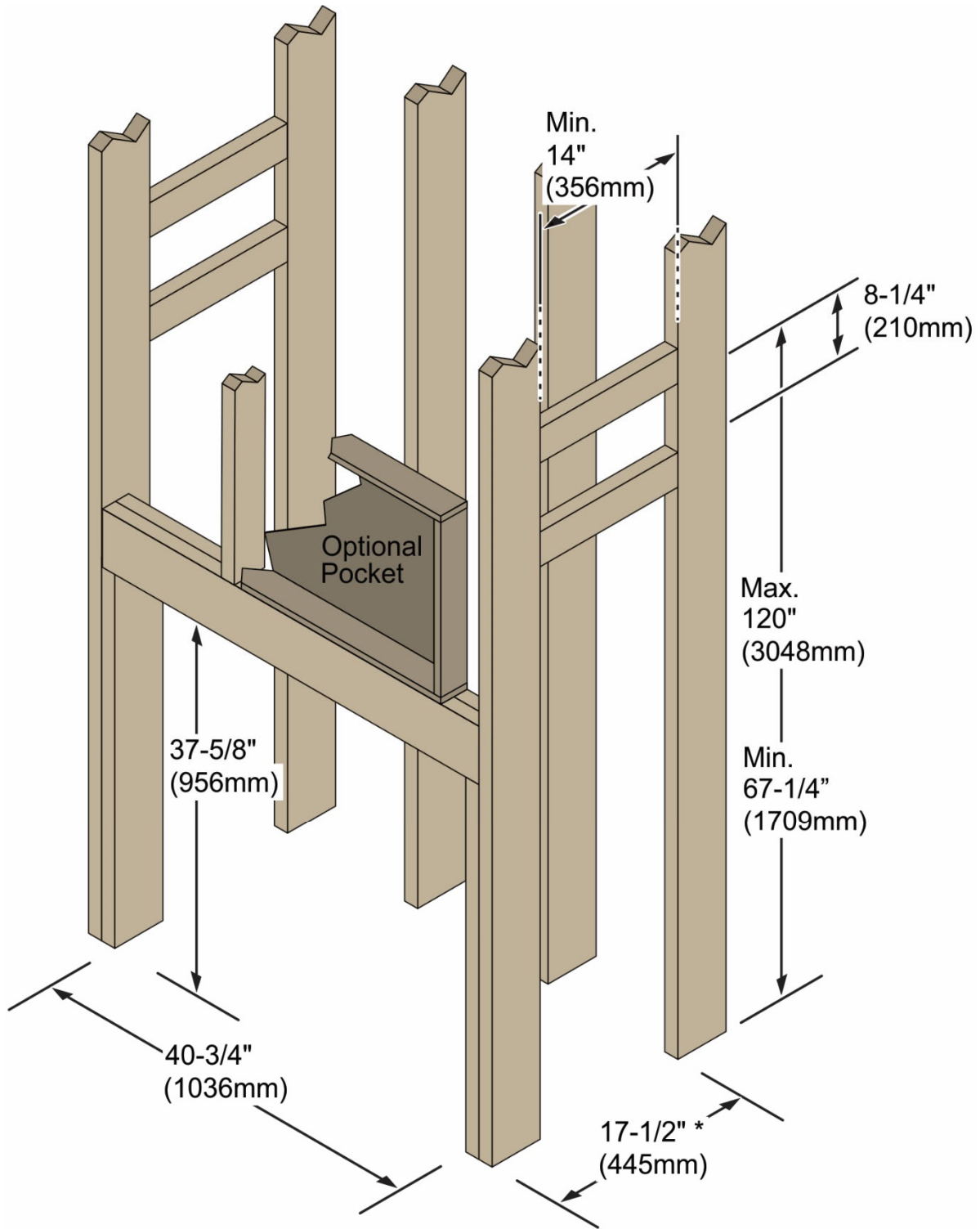


3615 HO - Framing Dimension - With CoolSmart Kit



* The dark-shaded framing may be installed after the fireplace is put into position. It is used to provide support for the facing above the fireplace and nailing brackets.

3615 HO - Framing Dimension - With CoolSmart Side Vent Kit



* The dimension shown is the minimum depth when the manifold is installed in the typical orientation to the side of the chase (based on the width of the manifold). If installing the manifolds in an alternate location or different orientation, the chase may be framed to the fireplaces minimum framing depth (see appliance manual for details).

4415 HO Linear

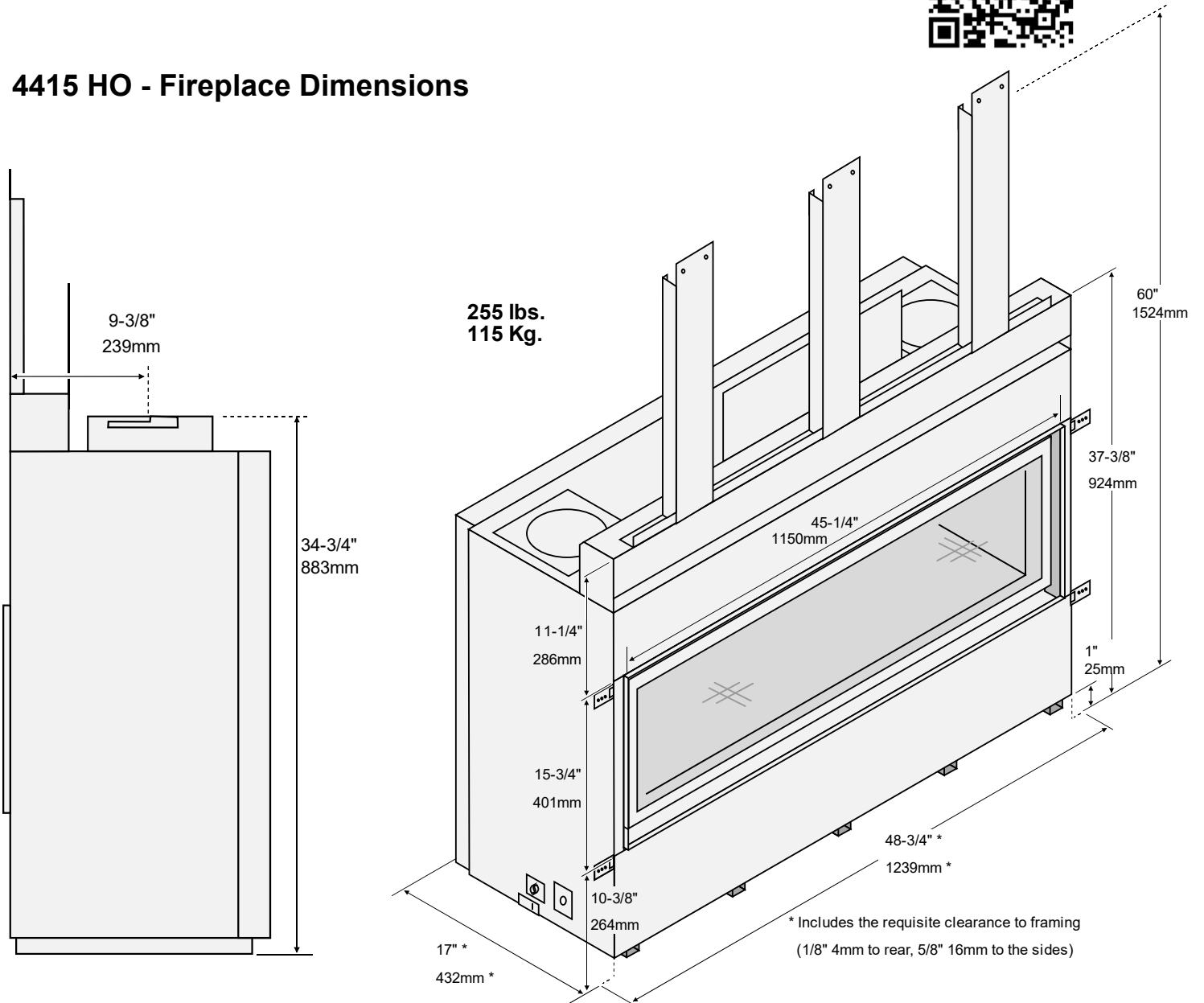


- Heating Capacity: Up to 2,100 Sq. Ft.
- BTU Input Per Hour: 21,672 (NG) 21,413 (LP) to 42,000 (NG/LP)
- Glass Viewing Area: Ceramic Glass, 42 1/8" x 13", 544 Sq. In.

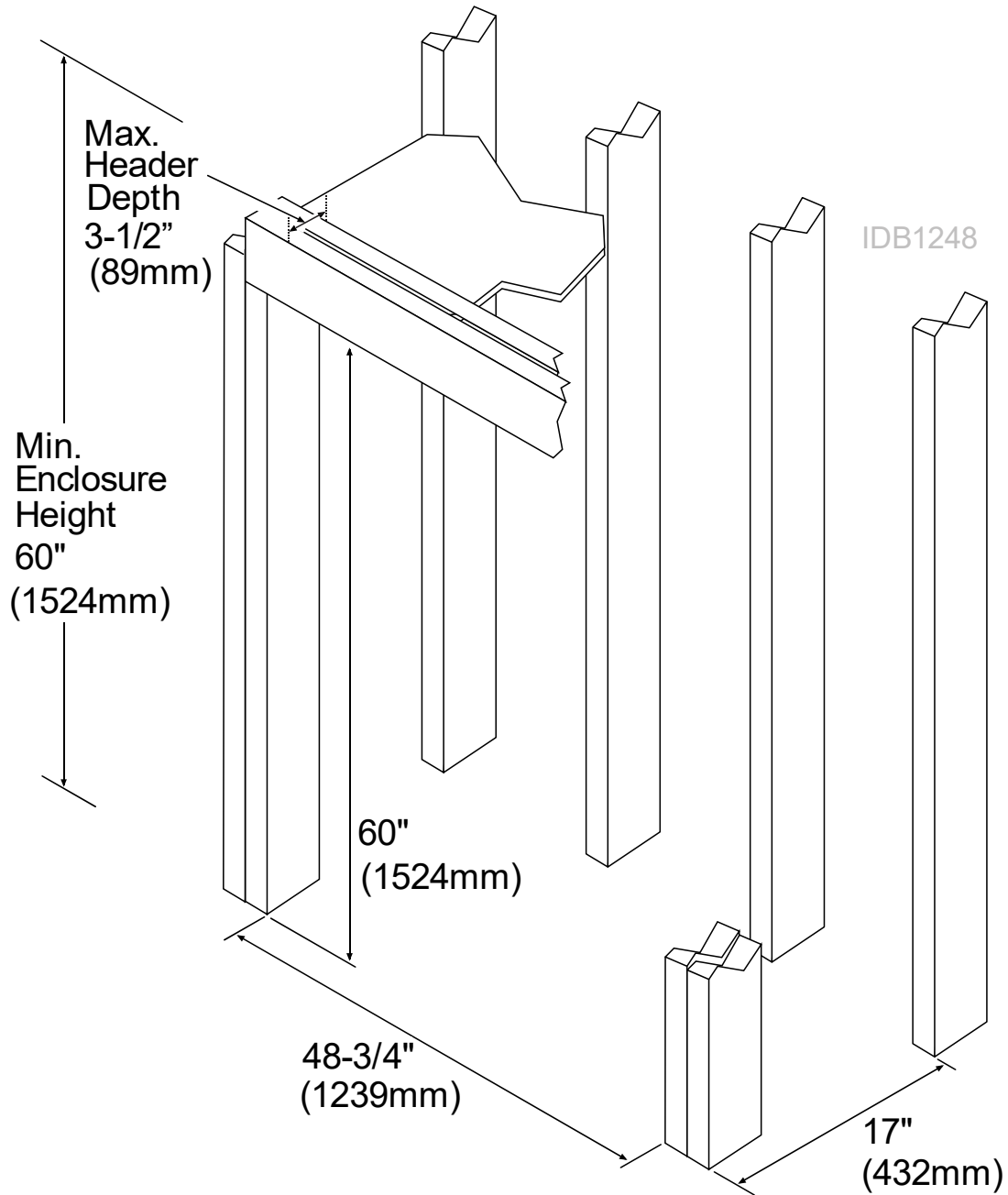
Scan for
Installation Manual



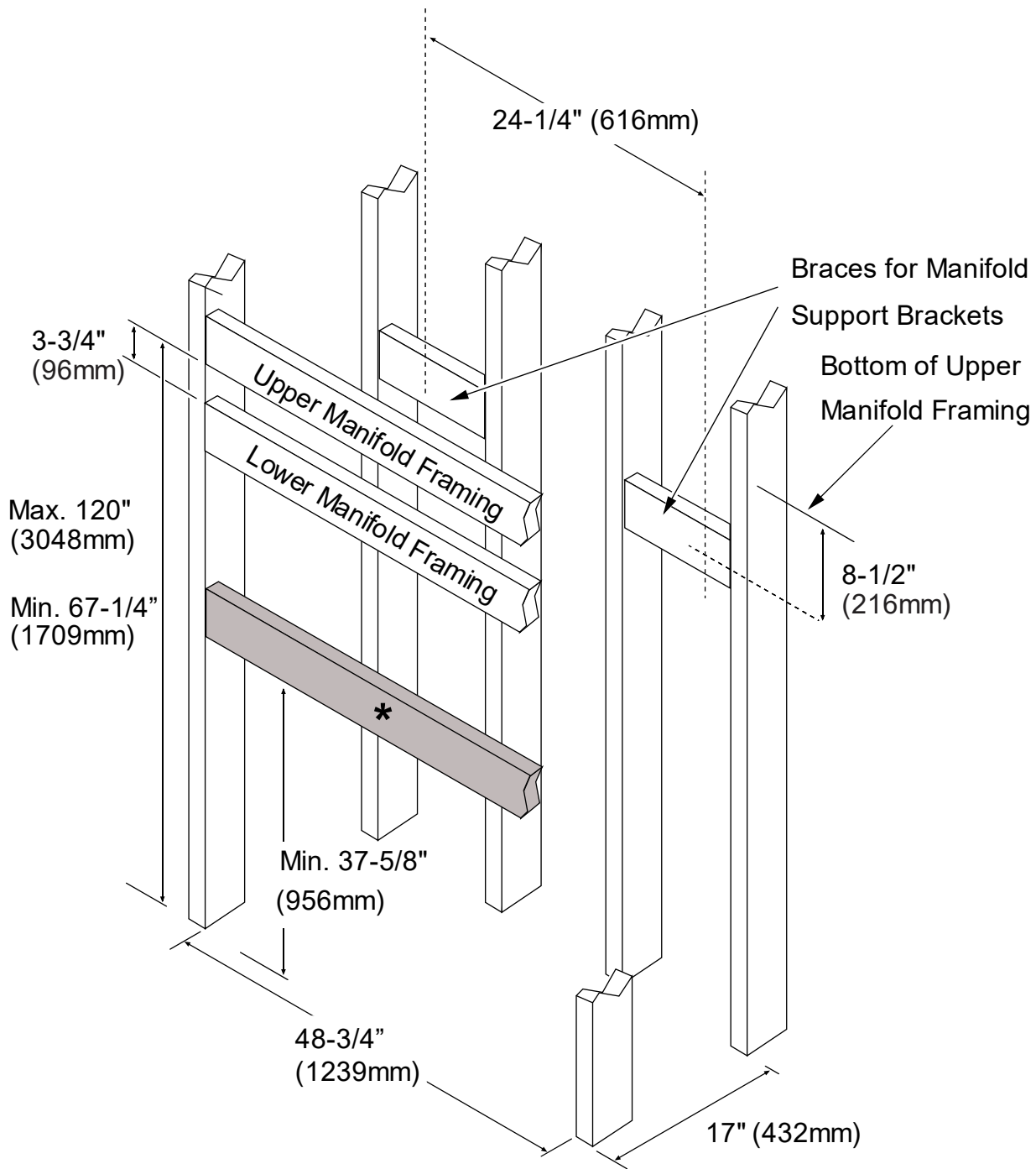
4415 HO - Fireplace Dimensions



4415 HO - Framing Dimensions - Standard

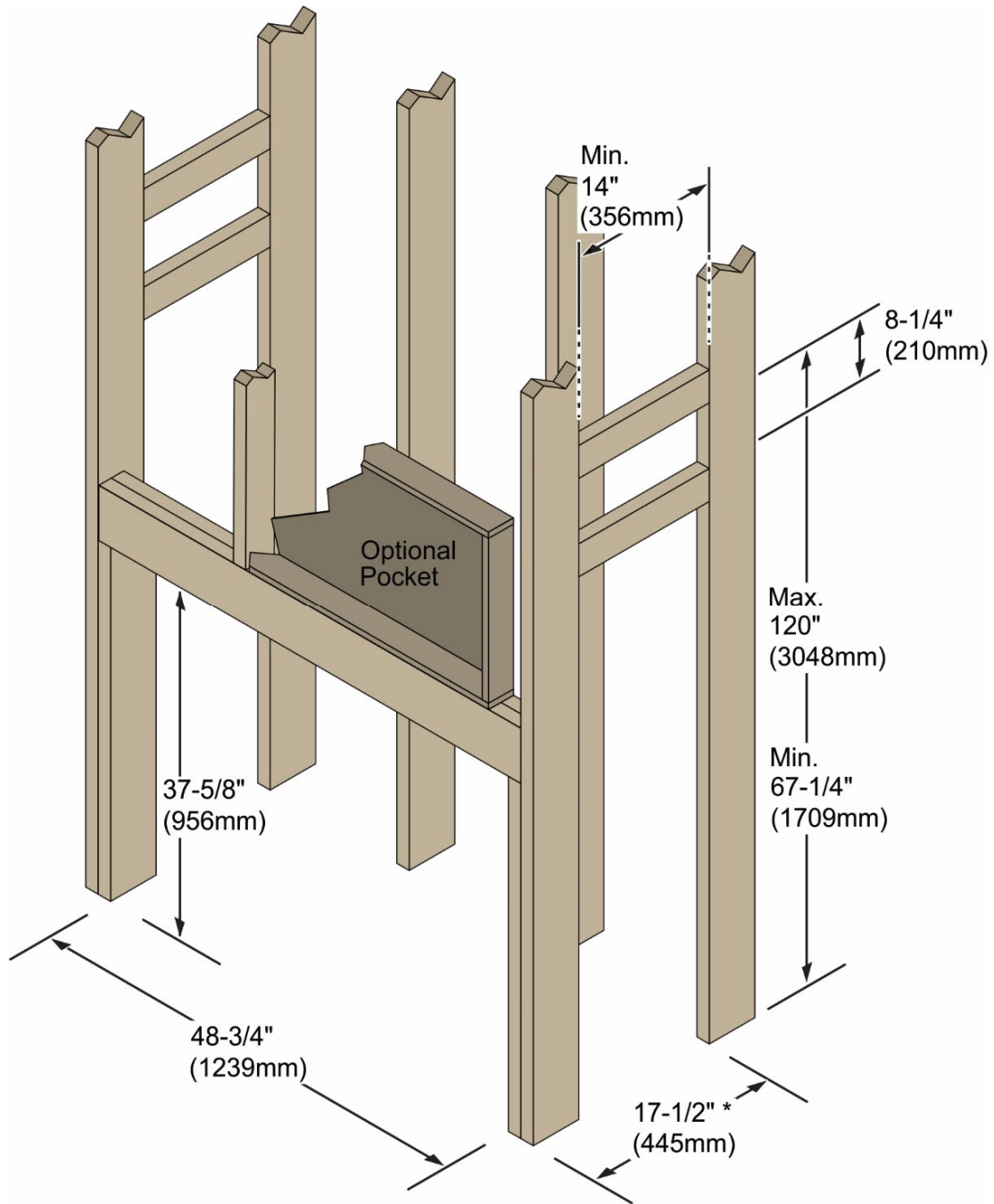


4415 HO - Framing Dimension - With CoolSmart Kit



* The dark-shaded framing may be installed after the fireplace is put into position. It is used to provide support for the facing above the fireplace and nailing brackets.

4415 HO - Framing Dimension - With CoolSmart Side Vent Kit



* The dimension shown is the minimum depth when the manifold is installed in the typical orientation to the side of the chase (based on the width of the manifold). If installing the manifolds in an alternate location or different orientation, the chase may be framed to the fireplaces minimum framing depth (see appliance manual for details)

4415 HO See-Through Linear



- Heating Capacity: Up to 2,100 Sq. Ft.
- BTU Input Per Hour: 21,672 (NG) 21,413 (LP) to 42,000 (NG/LP)
- Viewing Area: Ceramic Glass, 42 1/8" W x 13" H x 2 sides, 1088 Sq. In.

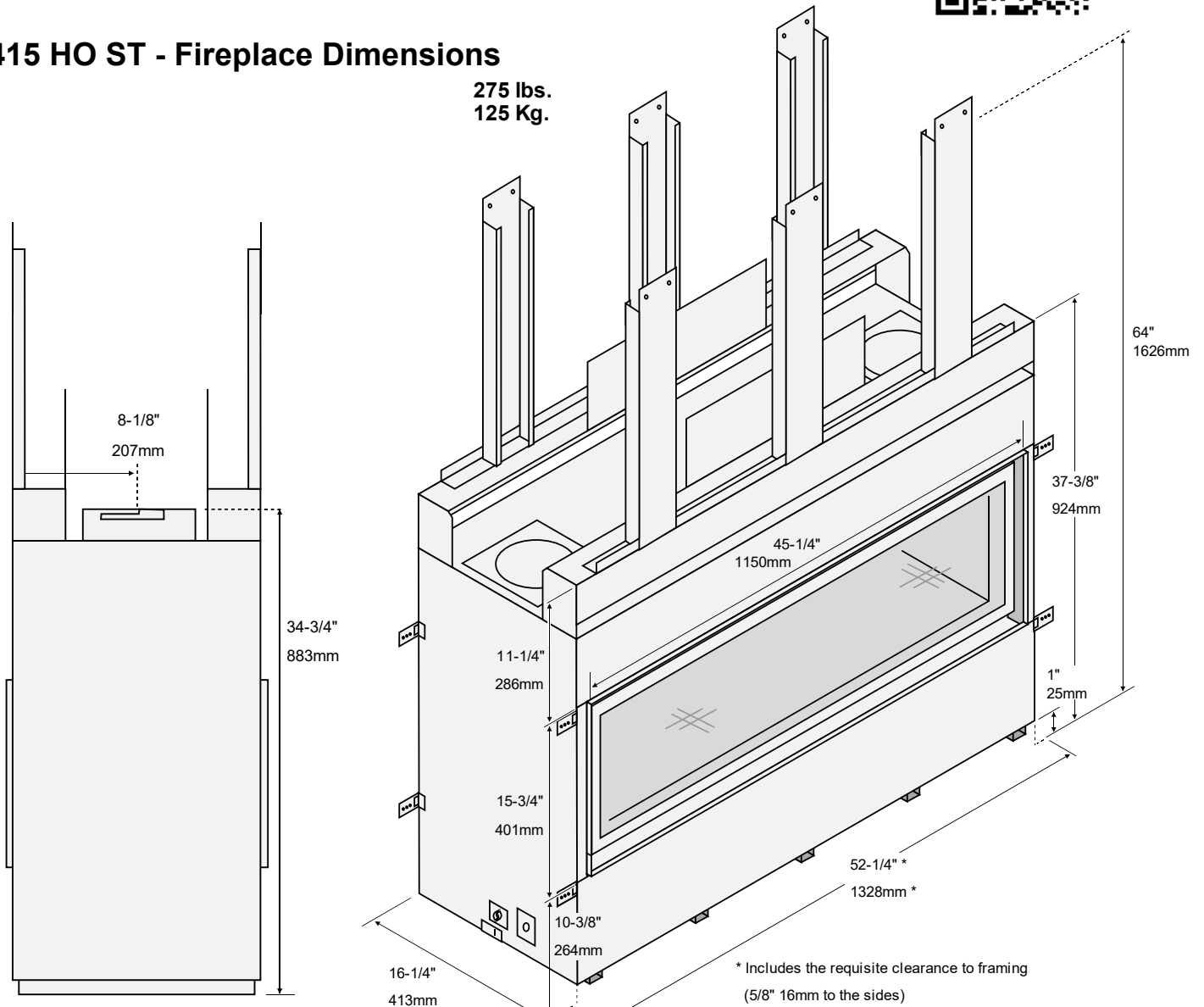
NO COOLSMART TV WALL OPTION

Scan for
Installation Manual

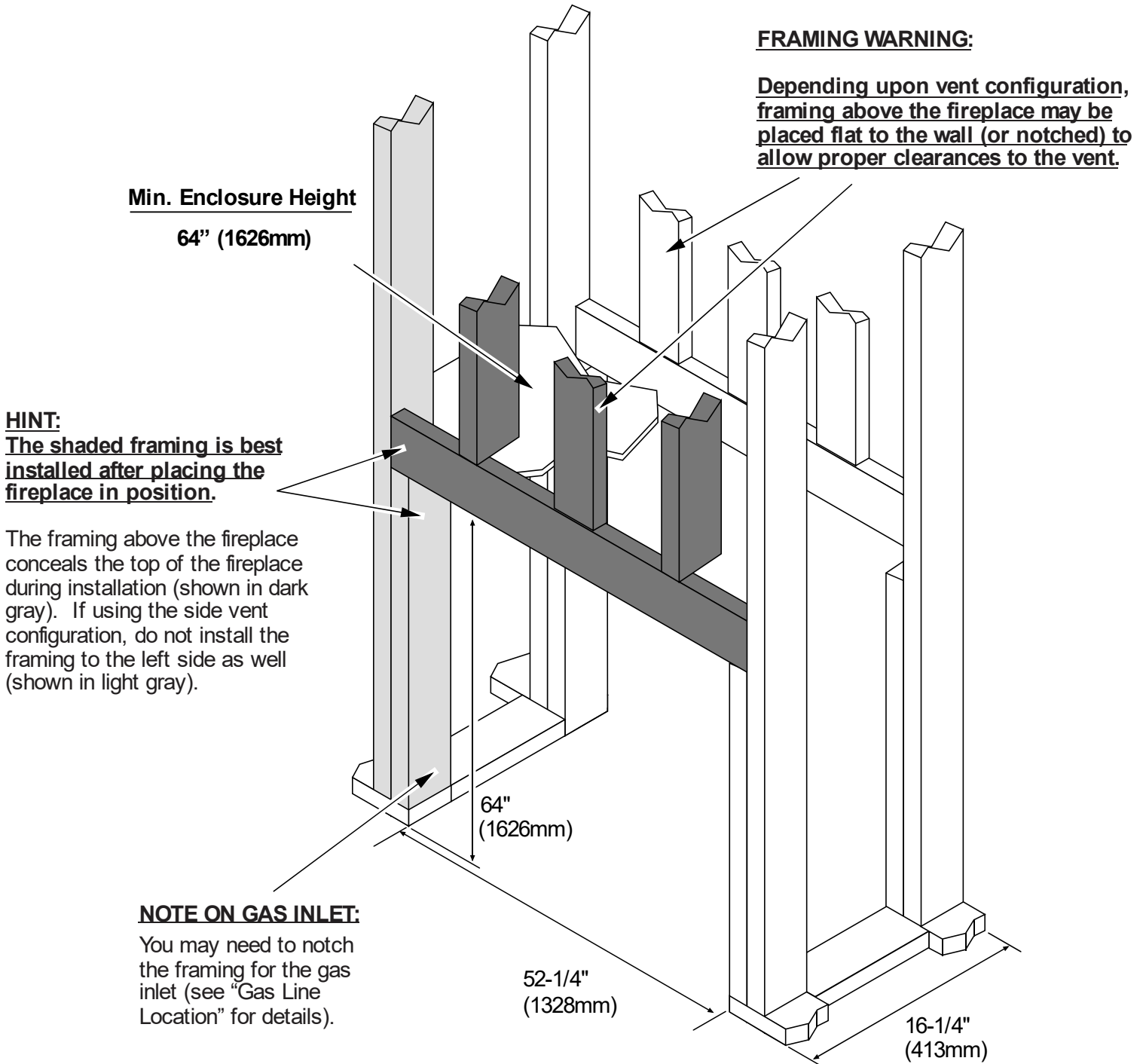


4415 HO ST - Fireplace Dimensions

275 lbs.
125 Kg.



4415 HO ST - Framing Dimensions - Standard



6015 HO Linear

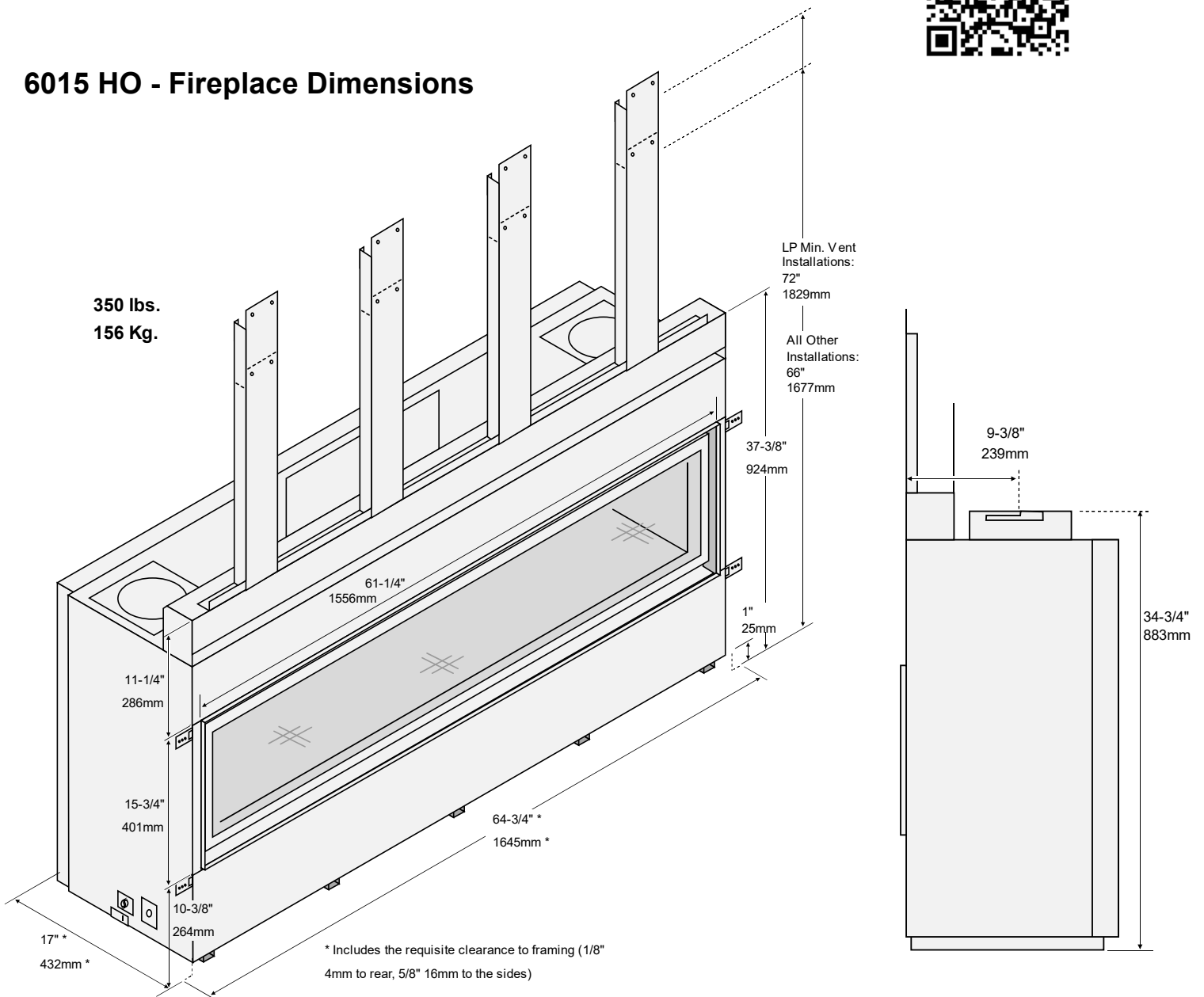


- Heating Capacity: Up to 2,800 Sq. Ft.
- BTU Input Per Hour: 30,273 (NG) 29,626 (LP) to 56,000 (NG/LP)
- Glass Viewing Area: Ceramic Glass, 58 1/8" W x 13" H, 751 Sq. In.

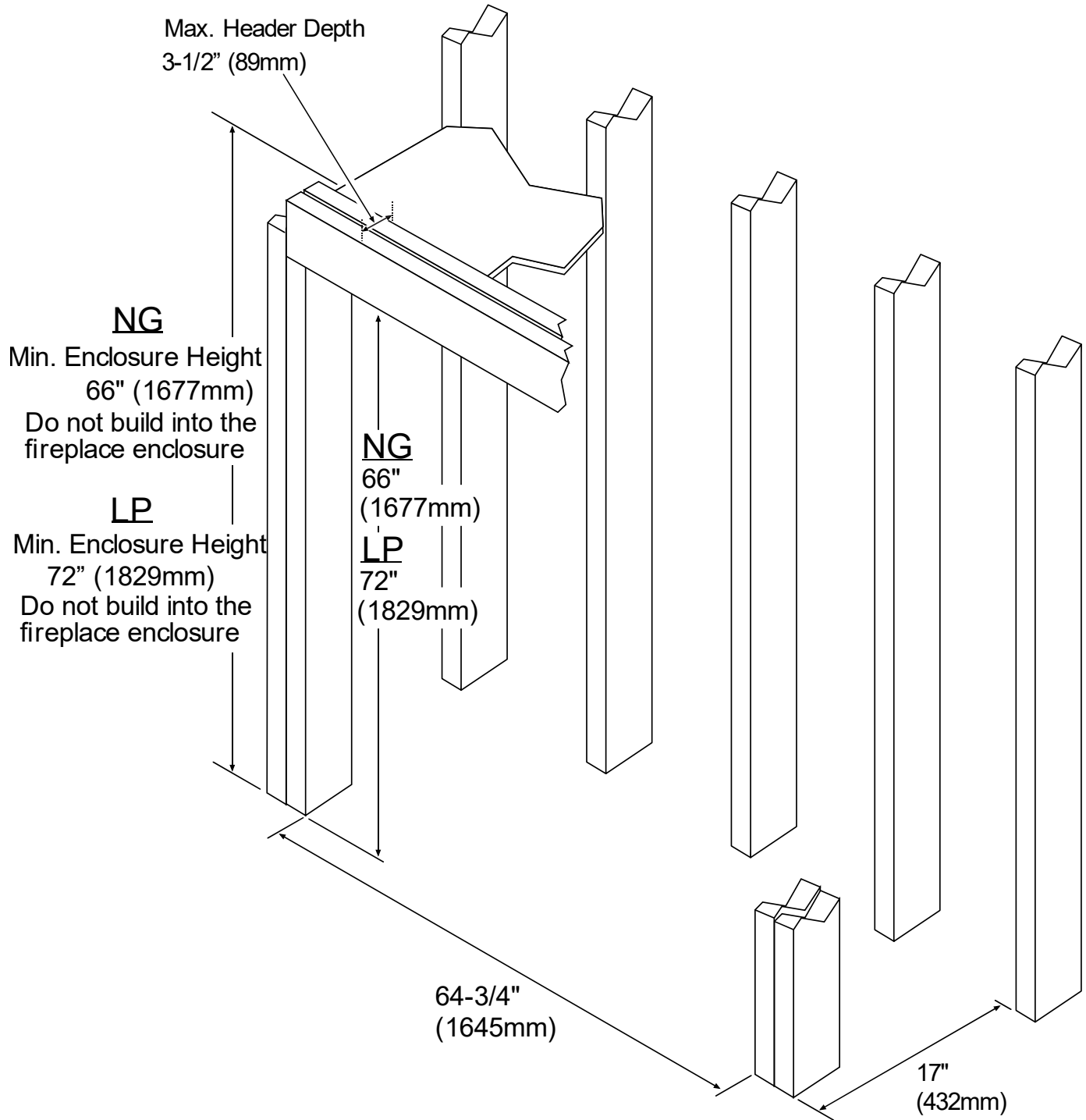
Scan for
Installation Manual



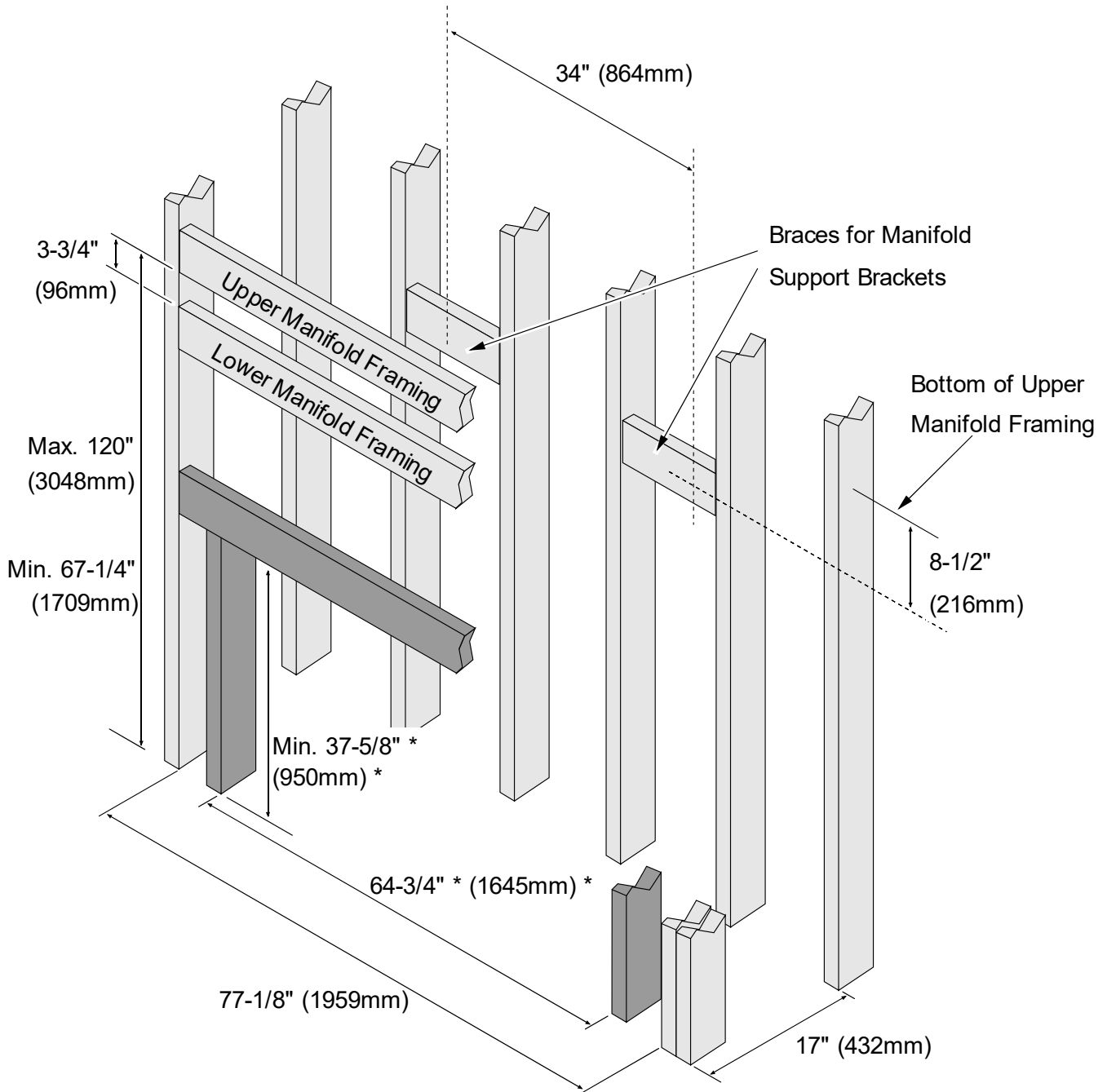
6015 HO - Fireplace Dimensions



6015 HO - Framing Dimensions - Standard

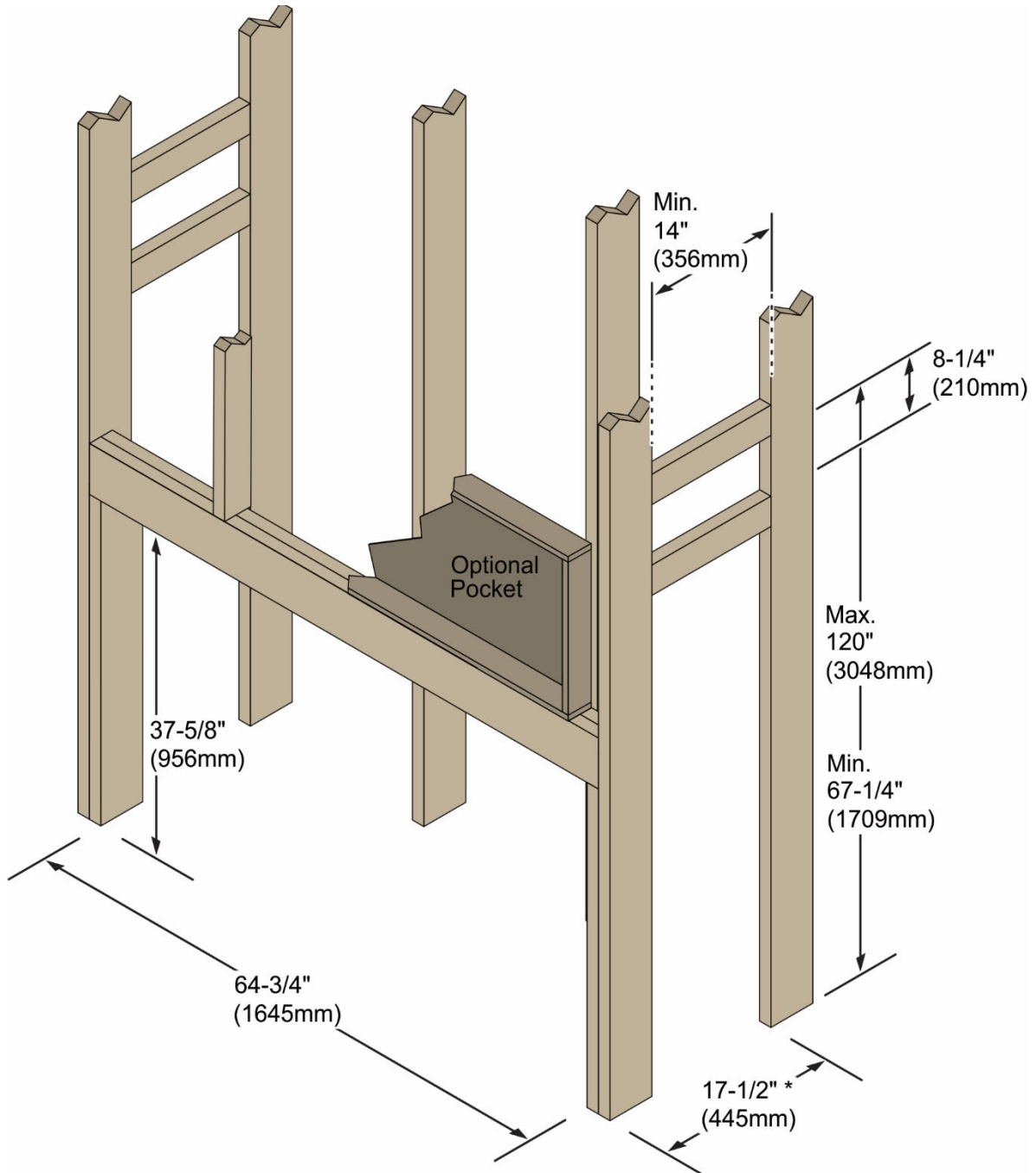


6015 HO - Framing Dimension - With CoolSmart Kit



* The dark-shaded framing may be installed after the manifold is installed. It is used to provide support for the facing above the fireplace and nailing brackets.

6015 HO - Framing Dimension - With CoolSmart Side Vent Kit



* The dimension shown is the minimum depth when the manifold is installed in the typical orientation to the side of the chase (based on the width of the manifold). If installing the manifolds in an alternate location or different orientation, the chase may be framed to the fireplaces minimum framing depth (see appliance manual for details).

ProBuilder™ 42 Linear



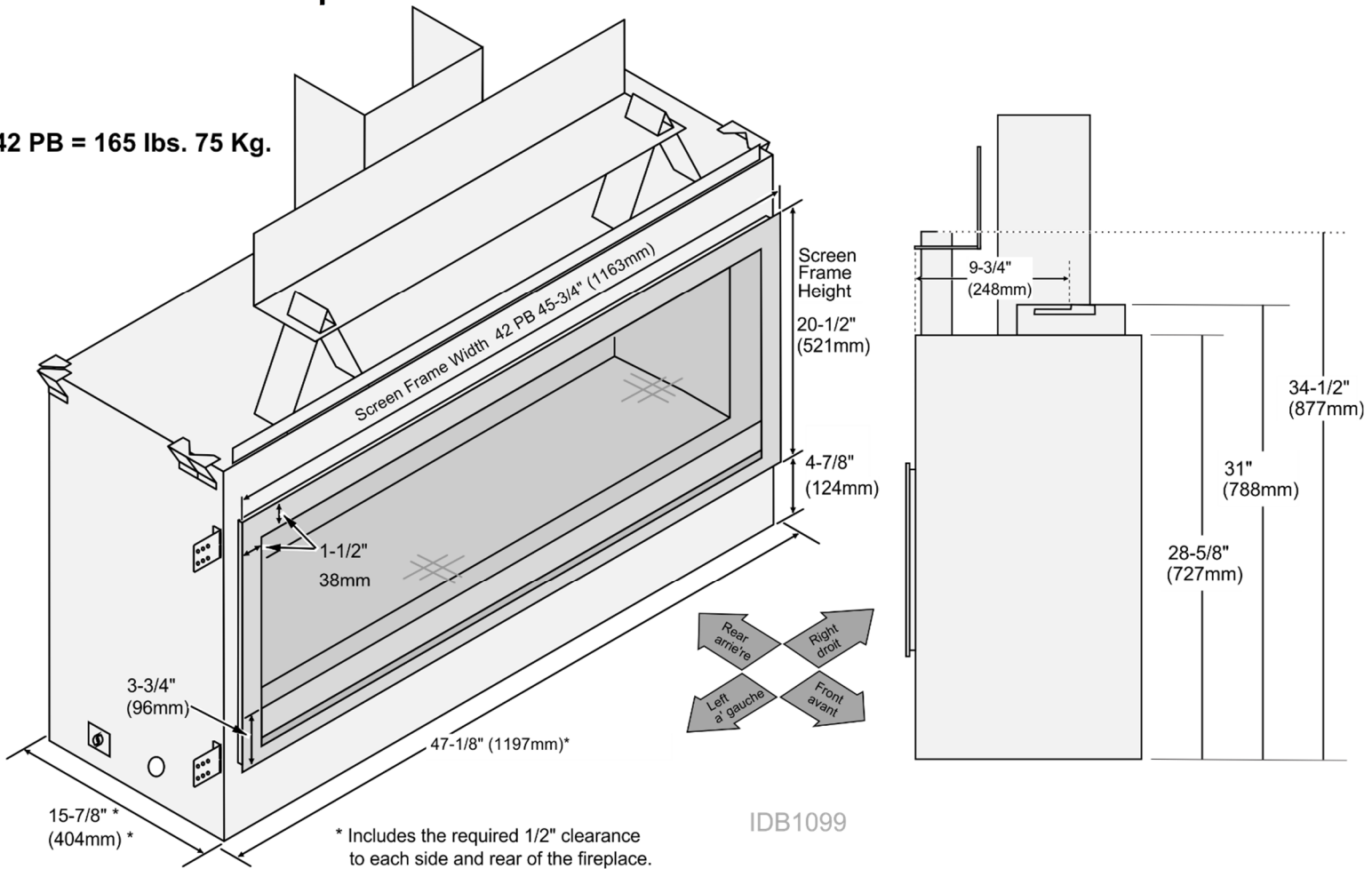
- Heating Capacity: Up to 1,250 Sq. Ft.
- BTU/Hr. Input (NG/LP): 13,000 to 25,000
- Glass Viewing Area: Tempered Glass, 40-3/8" W x 13-5/8" H, 548 Sq. In

Scan for
Installation Manual

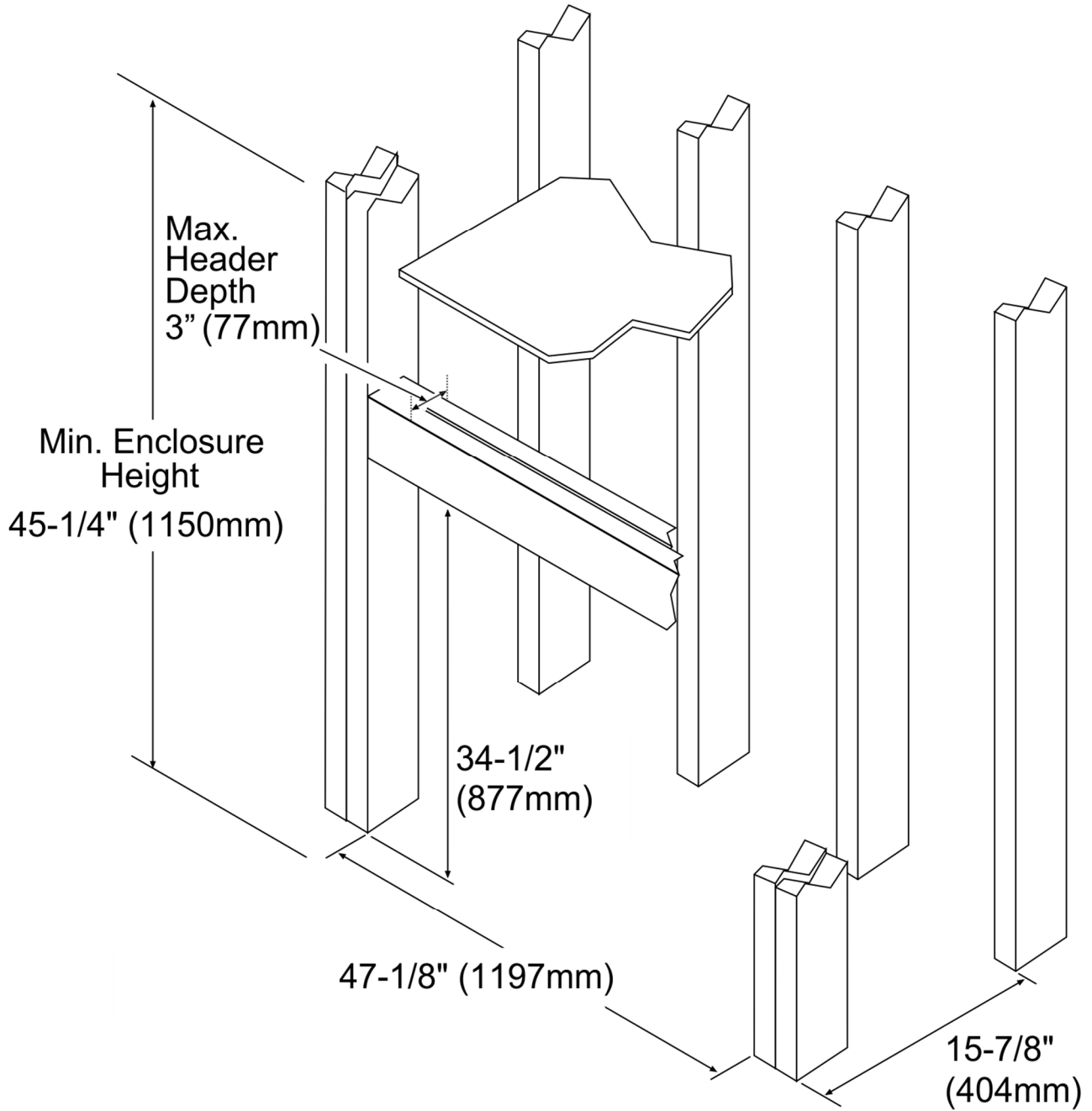


PB 42 Linear - Fireplace Dimensions

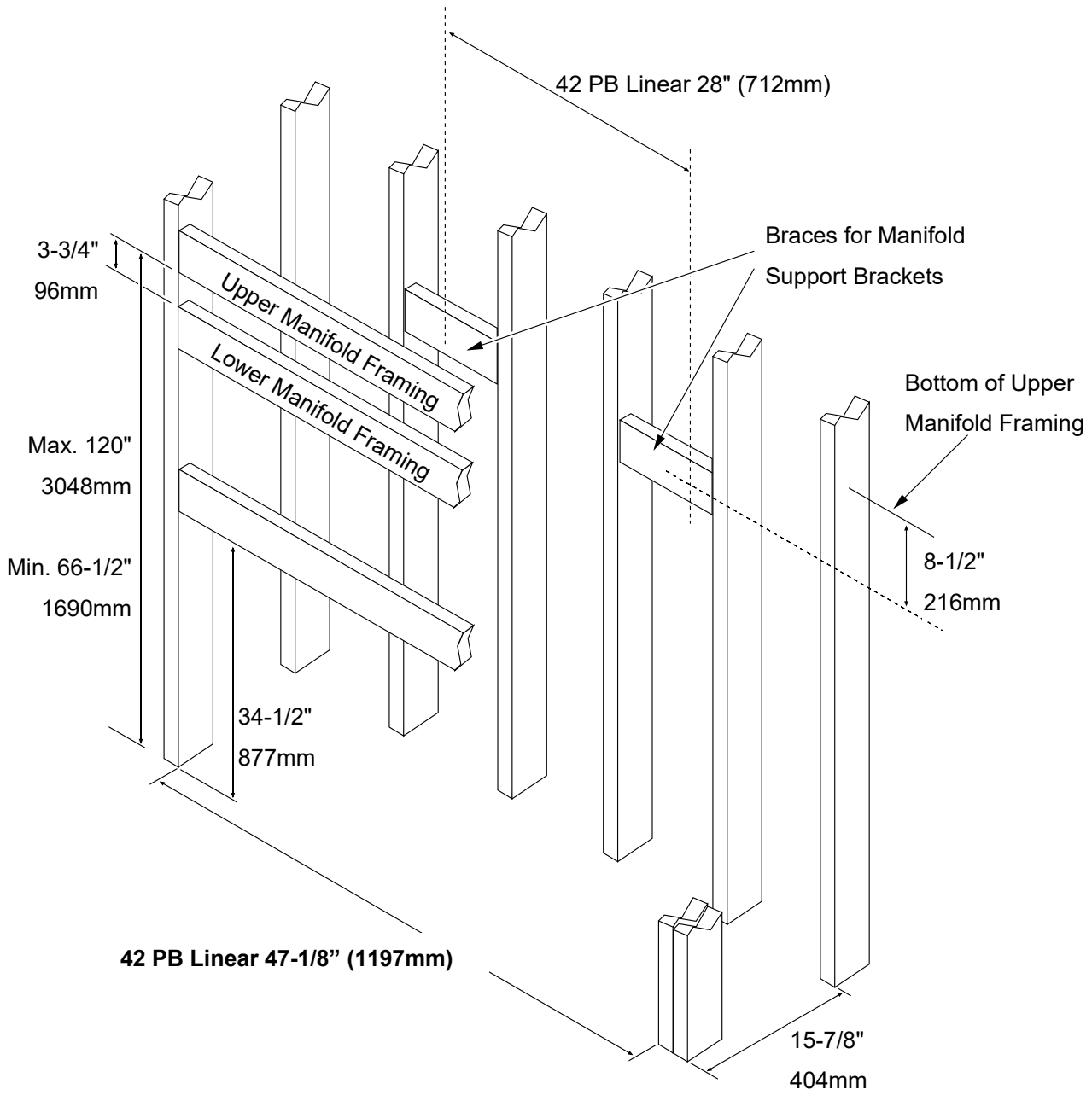
42 PB = 165 lbs. 75 Kg.



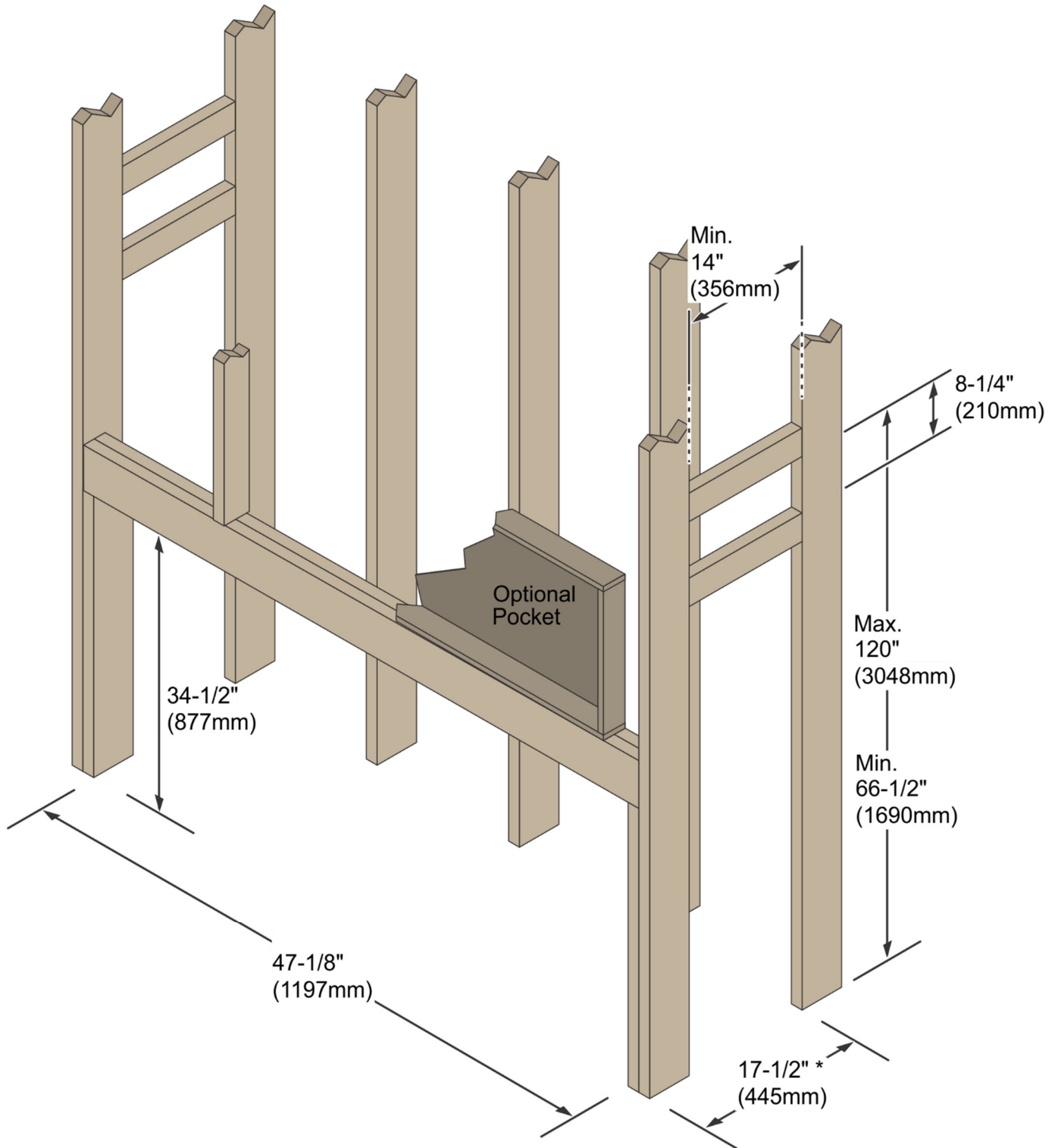
PB 42 Linear - Framing Dimensions - Standard



PB 42 Linear - Framing Dimension - With CoolSmart Kit



PB 42 Linear - Framing Dimension - With CoolSmart Side Vent Kit



* The dimension shown is the minimum depth when the manifold is installed in the typical orientation to the side of the chase (based on the width of the manifold). If installing the manifolds in an alternate location or different orientation, the chase may be framed to the fireplaces minimum framing depth (see appliance manual for details).

ProBuilder™ 54 Linear



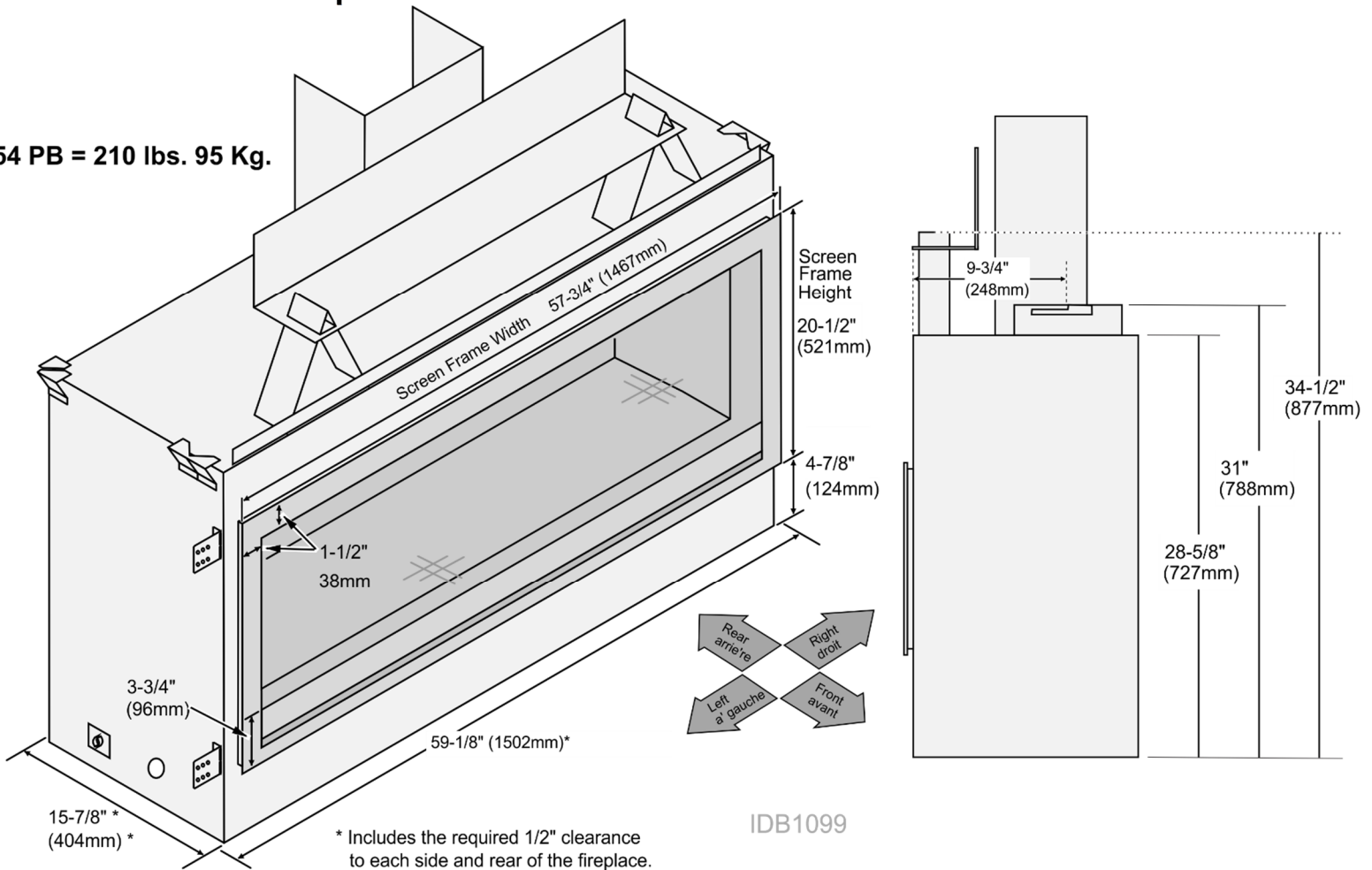
- Heating Capacity: Up to 1,650 Sq. Ft.
- BTU/Hr Input (NG/LP): 17,000 to 33,000
- Glass Viewing Area: Tempered Glass, 52-3/8" W x 13-5/8" H, 711 Sq. In.

Scan for
Installation Manual

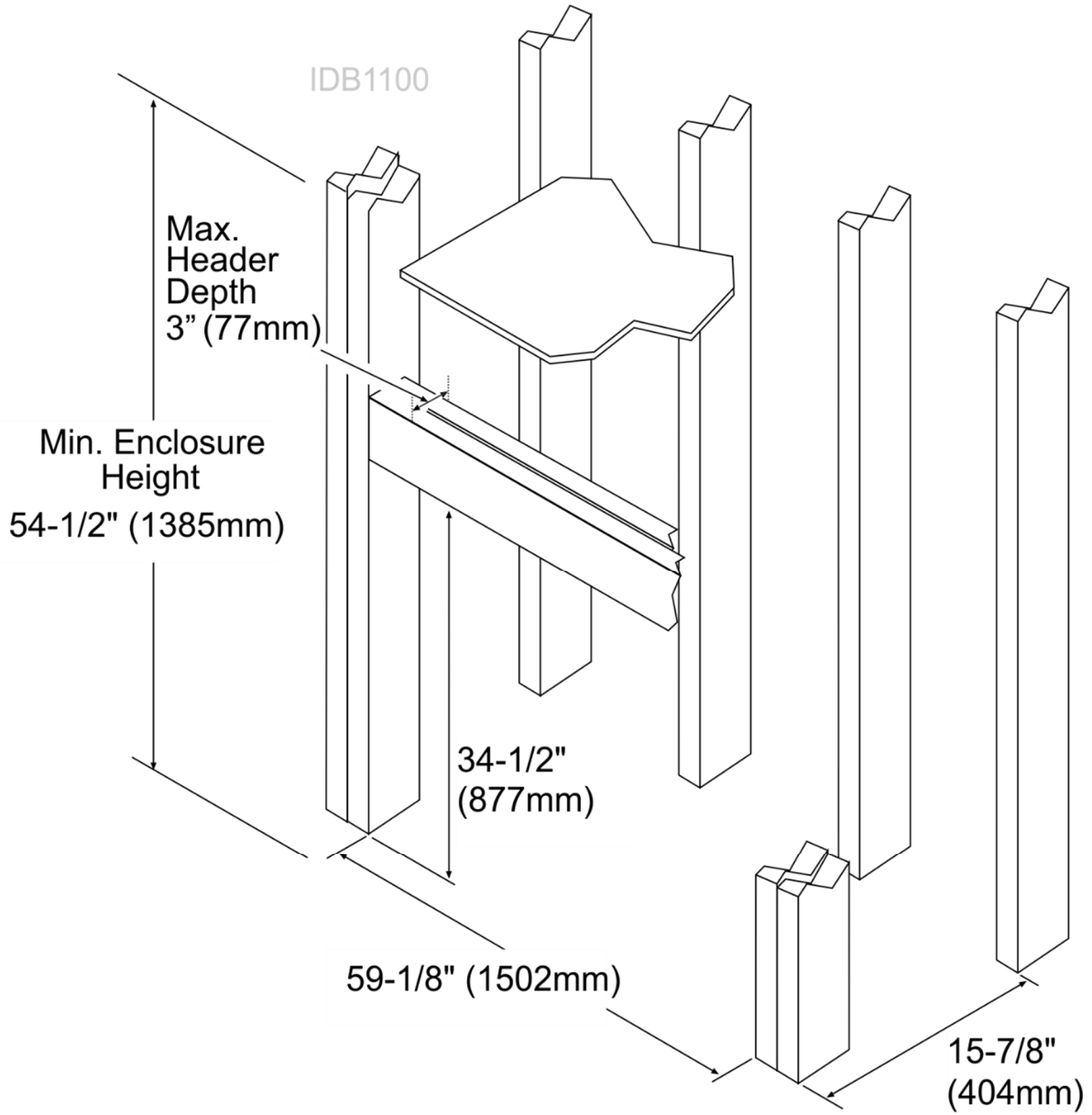


PB 54 Linear - Fireplace Dimensions

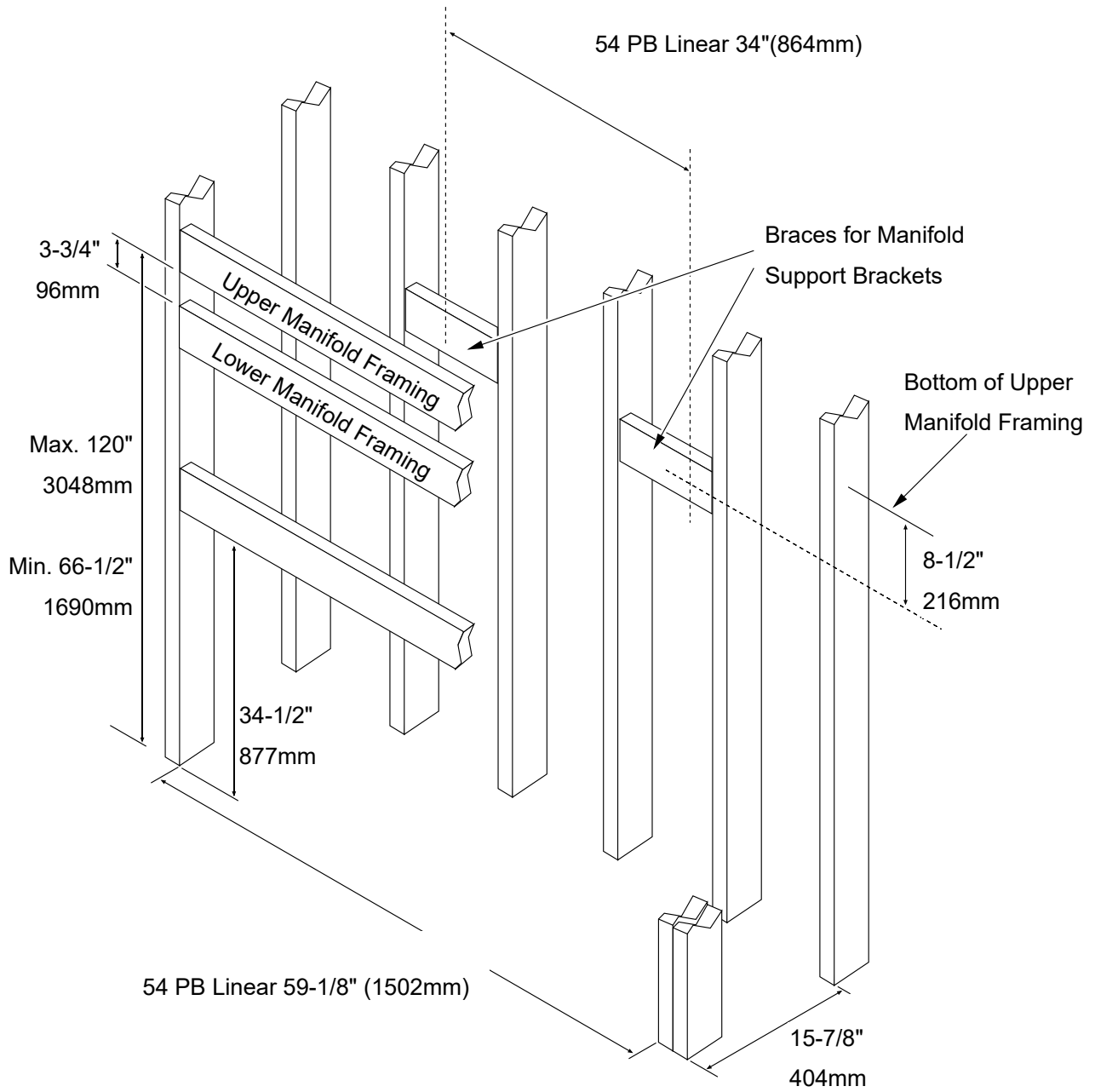
54 PB = 210 lbs. 95 Kg.



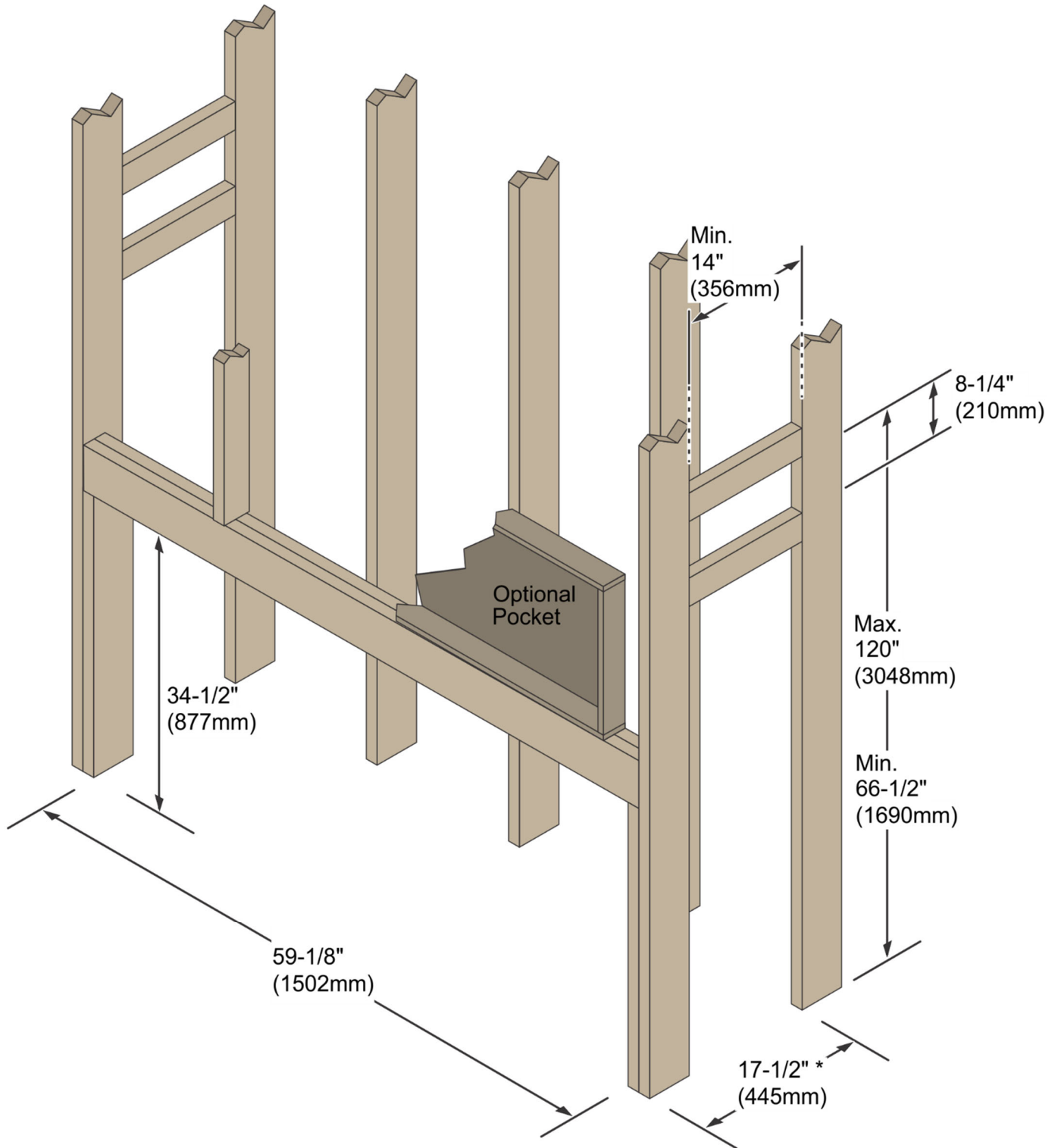
PB 54 Linear - Framing Dimensions - Standard



PB 54 Linear - Framing Dimension - With CoolSmart Kit



PB 54 Linear - Framing Dimension - With CoolSmart Side Vent Kit



* The dimension shown is the minimum depth when the manifold is installed in the typical orientation to the side of the chase (based on the width of the manifold). If installing the manifolds in an alternate location or different orientation, the chase may be framed to the fireplaces minimum framing depth (see appliance manual for details).

ProBuilder™ 72 Linear

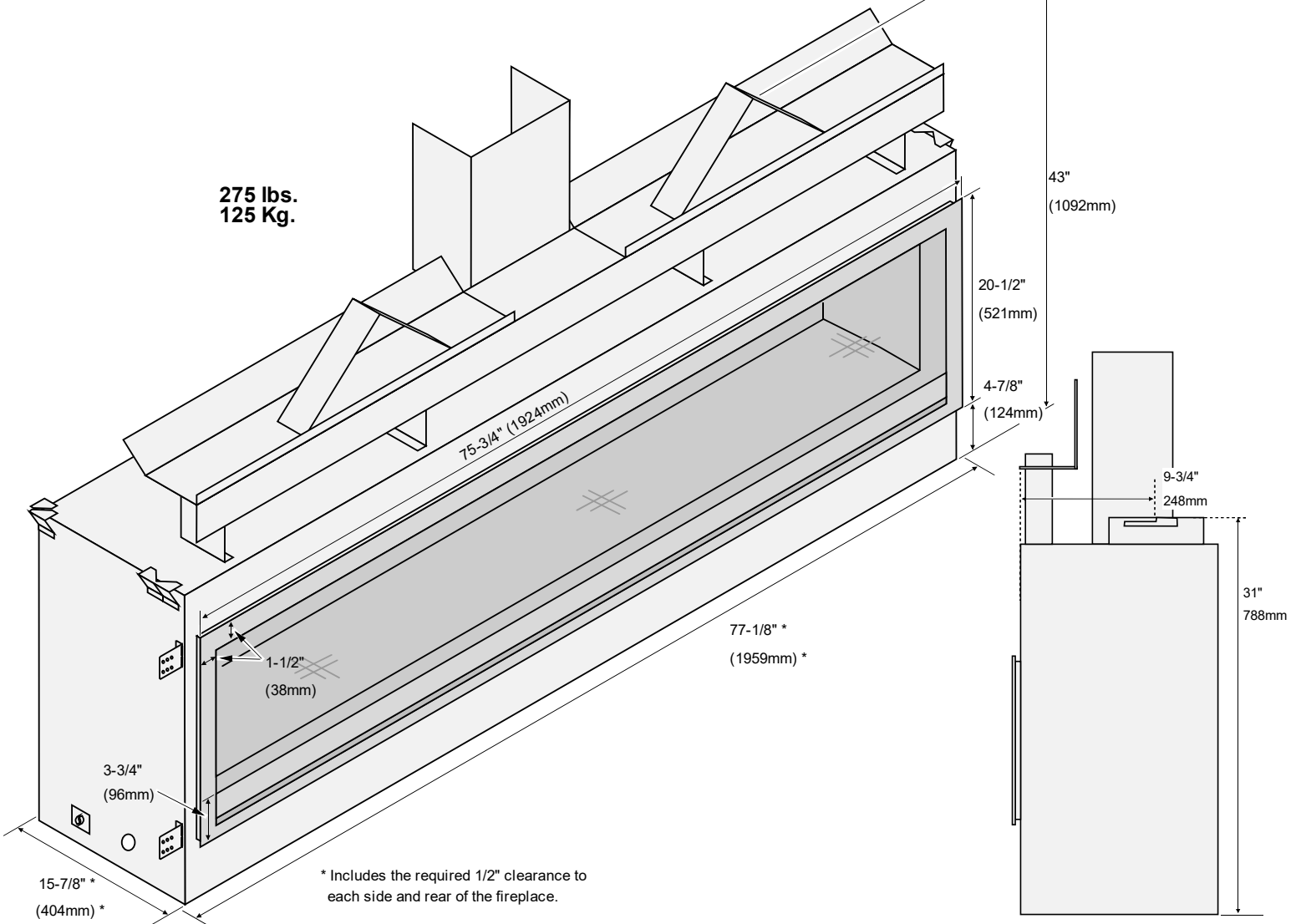


- Heating Capacity*: Up to 2,250 Sq. Ft.
- BTU/Hr. Input (NG/LP): 23,000 to 45,000
- Glass Viewing Area: Tempered Glass, 70-3/8" W x 13-5/8" H, 956 Sq. In.

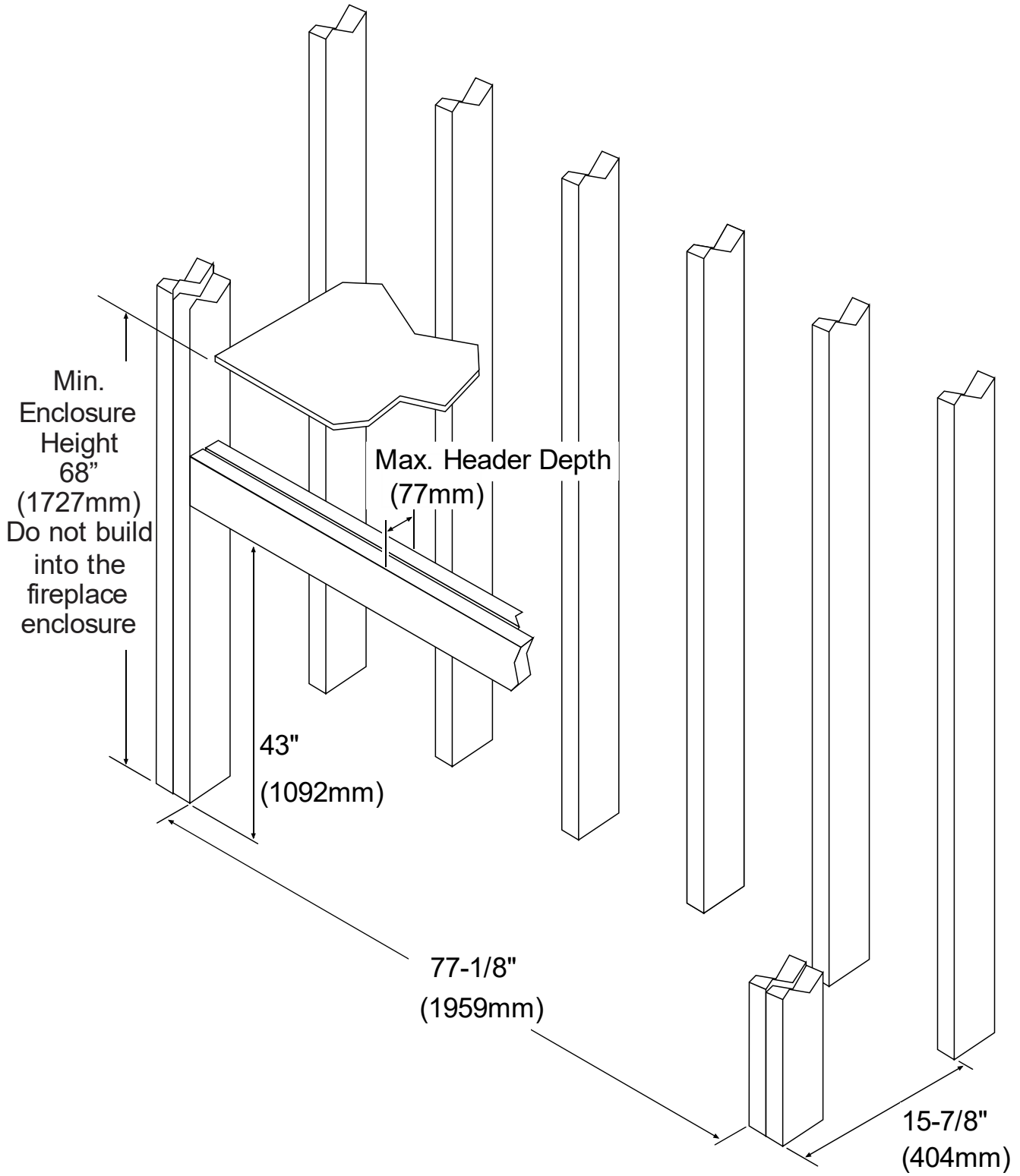
Scan for
Installation Manual



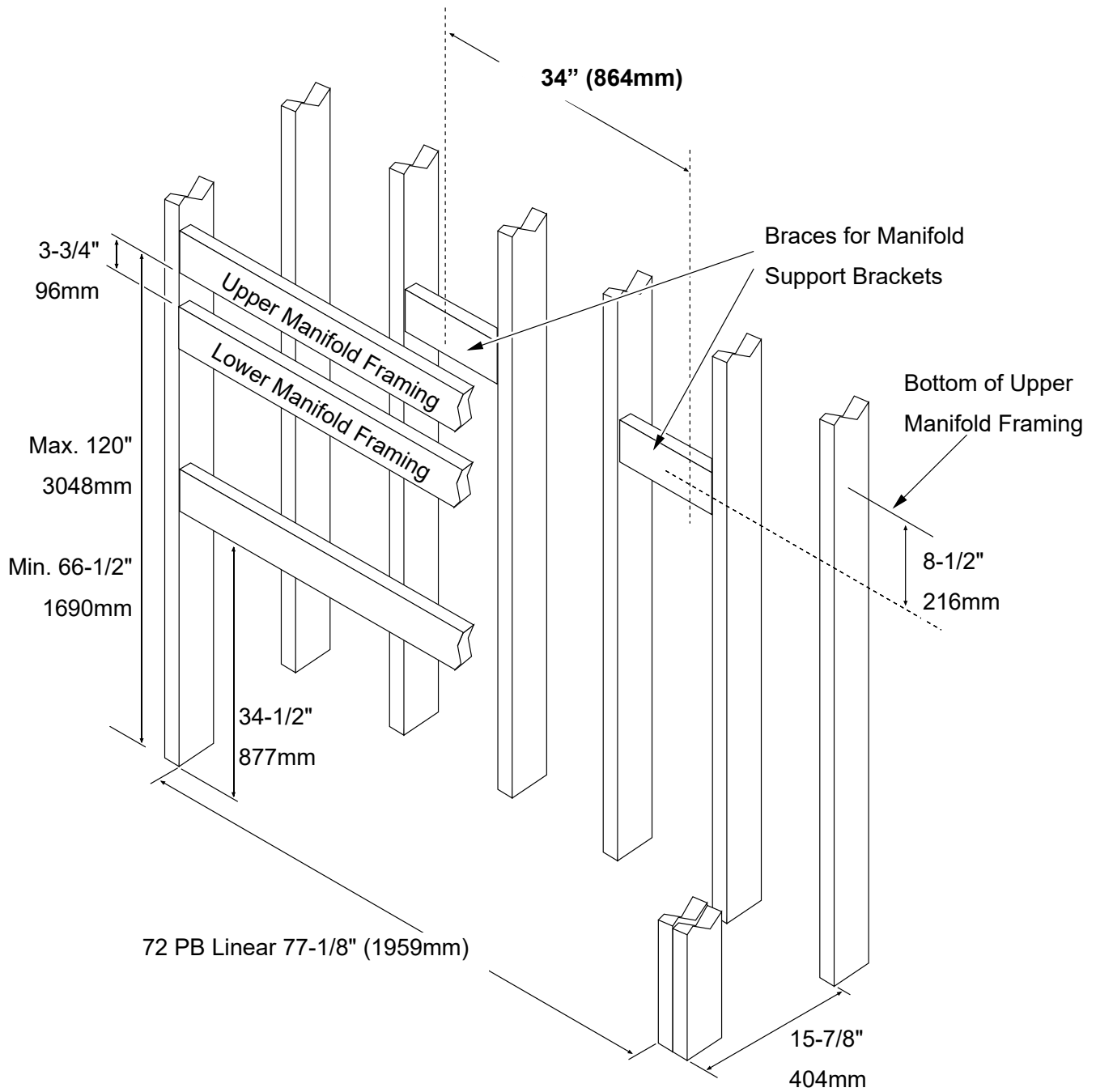
PB 72 Linear - Fireplace Dimensions



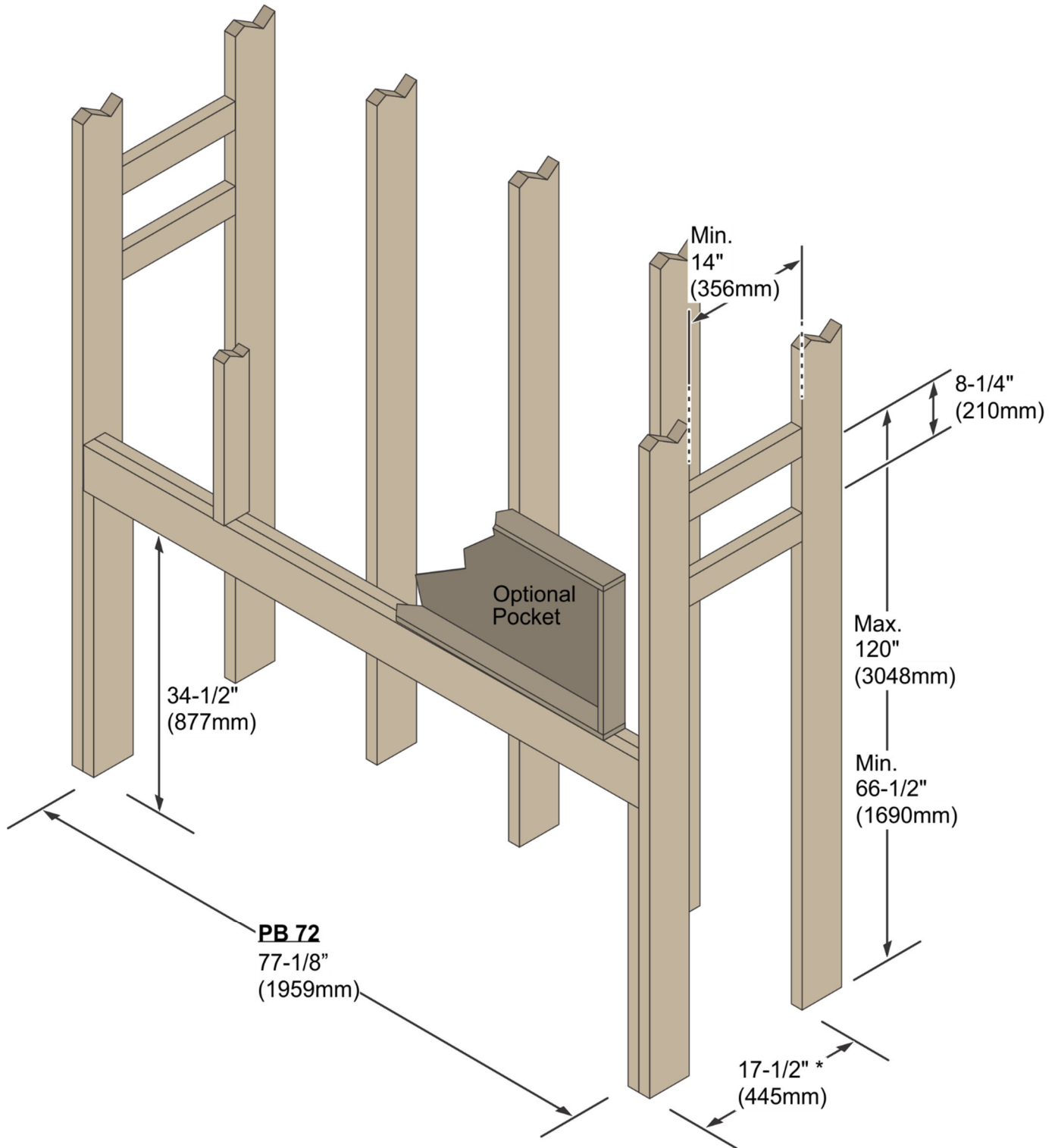
PB 72 Linear - Framing Dimensions - Standard



PB 72 Linear - Framing Dimension - With CoolSmart Kit



PB 72 Linear - Framing Dimension - With CoolSmart Side Vent Kit



* The dimension shown is the minimum depth when the manifold is installed in the typical orientation to the side of the chase (based on the width of the manifold). If installing the manifolds in an alternate location or different orientation, the chase may be framed to the fireplaces minimum framing depth (see appliance manual for details).

ProBuilder 24CF

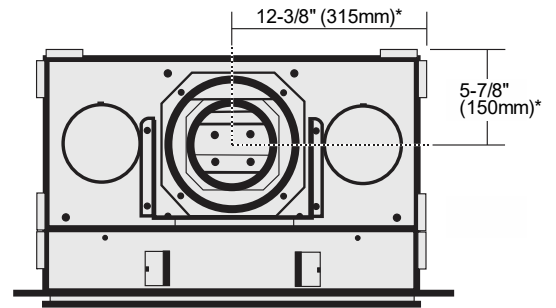
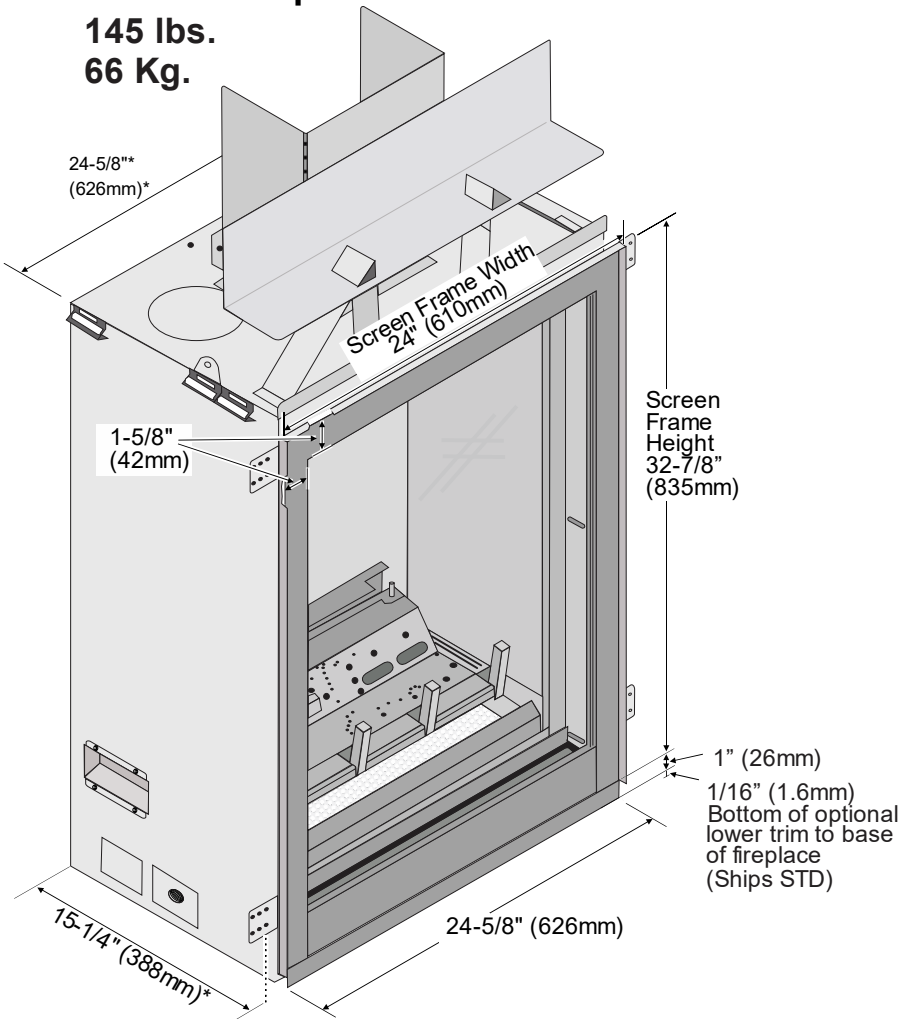
- Heating Capacity: Up to 750 Sq. Ft.
- BTU Input Per Hour: 9,500 (NG/LP) to 18,000 (NG/LP)
- Glass Viewing Area: Tempered Glass, 18" W x 26" H, 466.9 sq. in.

Scan for
Installation Manual

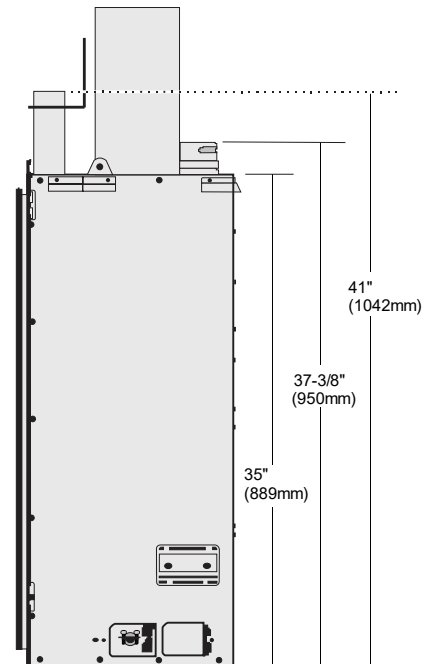


PB 24CF - Fireplace Dimensions

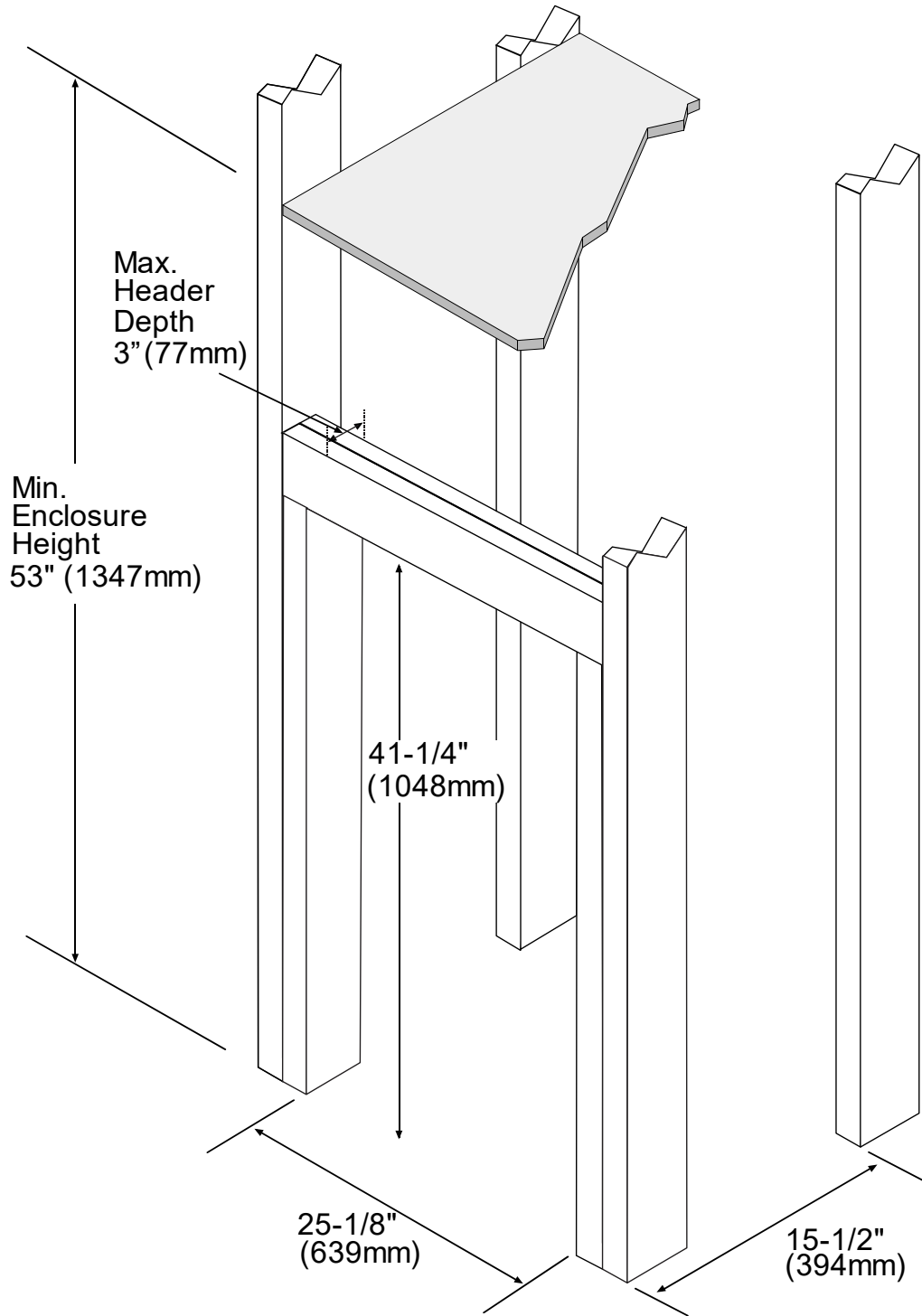
145 lbs.
66 Kg.



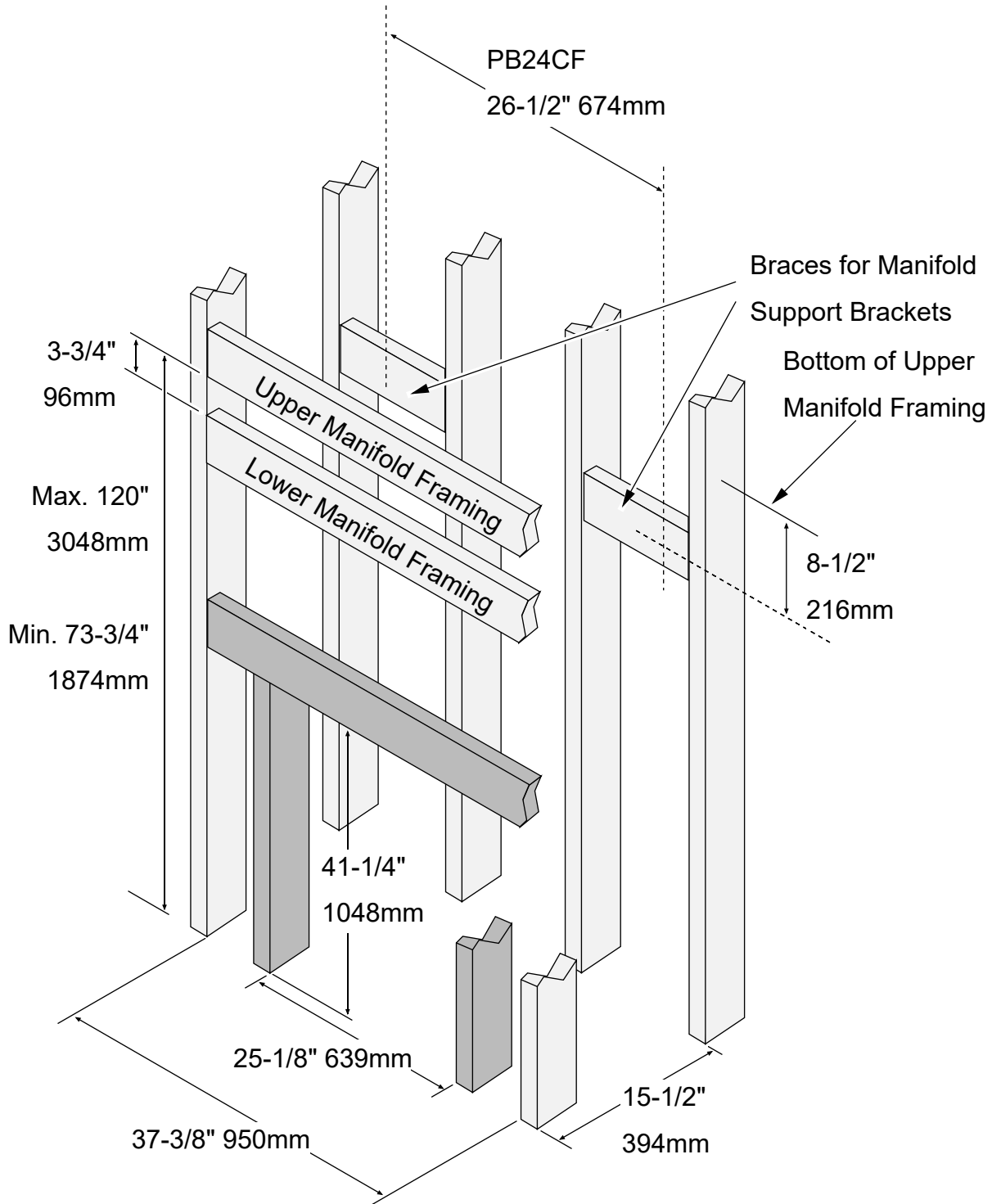
*Dimensions Includes the standoffs



PB 24CF - Framing Dimensions - Standard

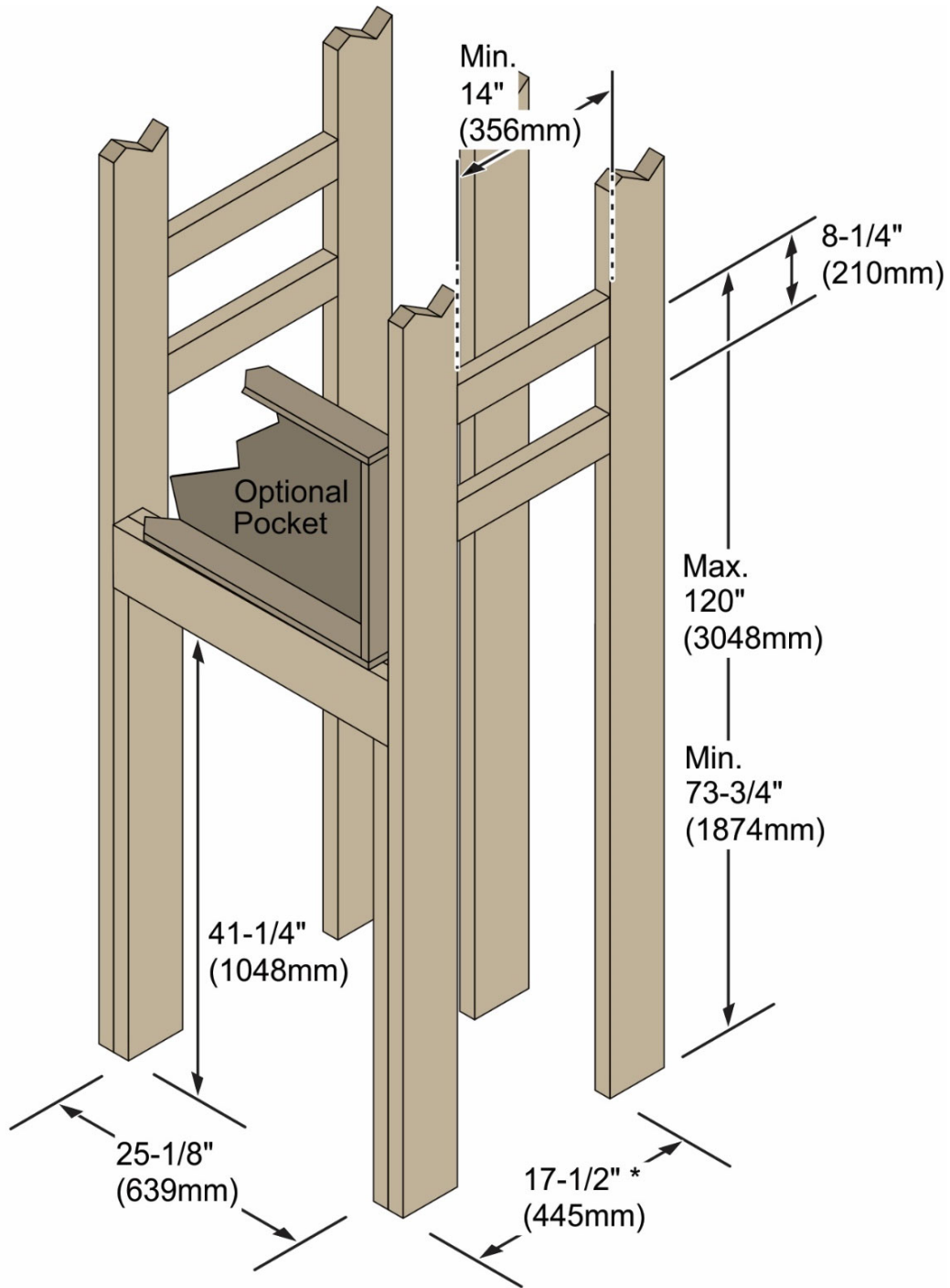


PB 24CF - Framing Dimension - With CoolSmart Kit



NOTE: The dark-shaded framing is typically installed after the manifold is installed. It is used to secure the nailing brackets on the fireplace to the framing. It also provides support for the facing above the fireplace. This framing is not required in some cases (you may use other methods to secure the nailing brackets and facing).

PB 24CF - Framing Dimension - With CoolSmart Side Vent Kit



* The dimension shown is the minimum depth when the manifold is installed in the typical orientation to the side of the chase (based on the width of the manifold). If installing the manifolds in an alternate location or different orientation, the chase may be framed to the fireplaces minimum framing depth (see appliance manual for details).

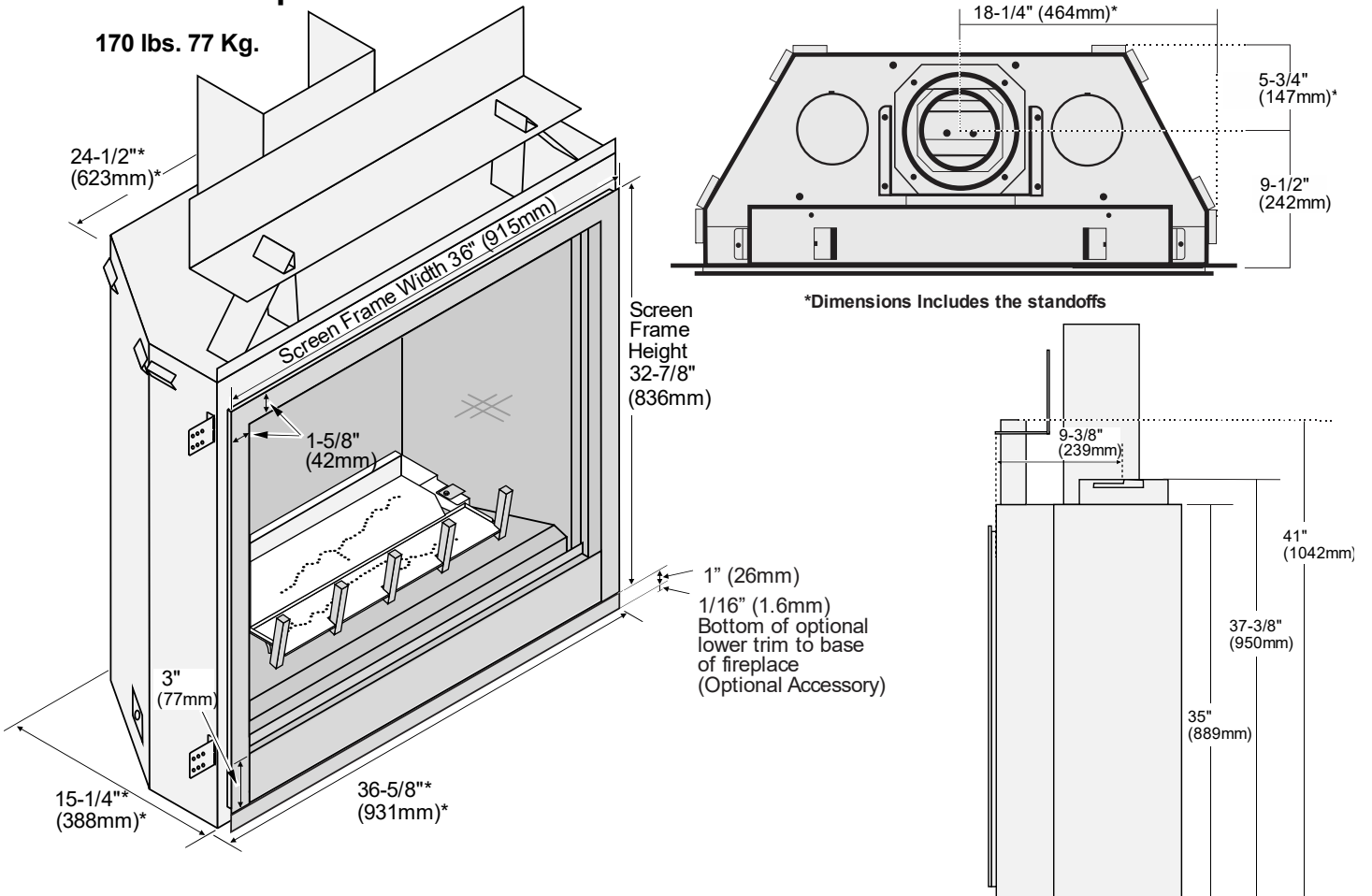
ProBuilder 36CF

- Heating Capacity: Up to 1,150 Sq. Ft.
- MV & GSB Versions - BTU Input Per Hour: 13,000 (NG) 12,000 (LP) to 25,000 (NG) 24,000 (LP)
- Deluxe Version - BTU Input Per Hour: 5,000 (NG) 6,000 (LP) to 25,000 (NG) 24,000 (LP)
- Glass Viewing Area: Tempered Glass, 30-1/8" W x 26-1/8" H, 780 Sq. In.

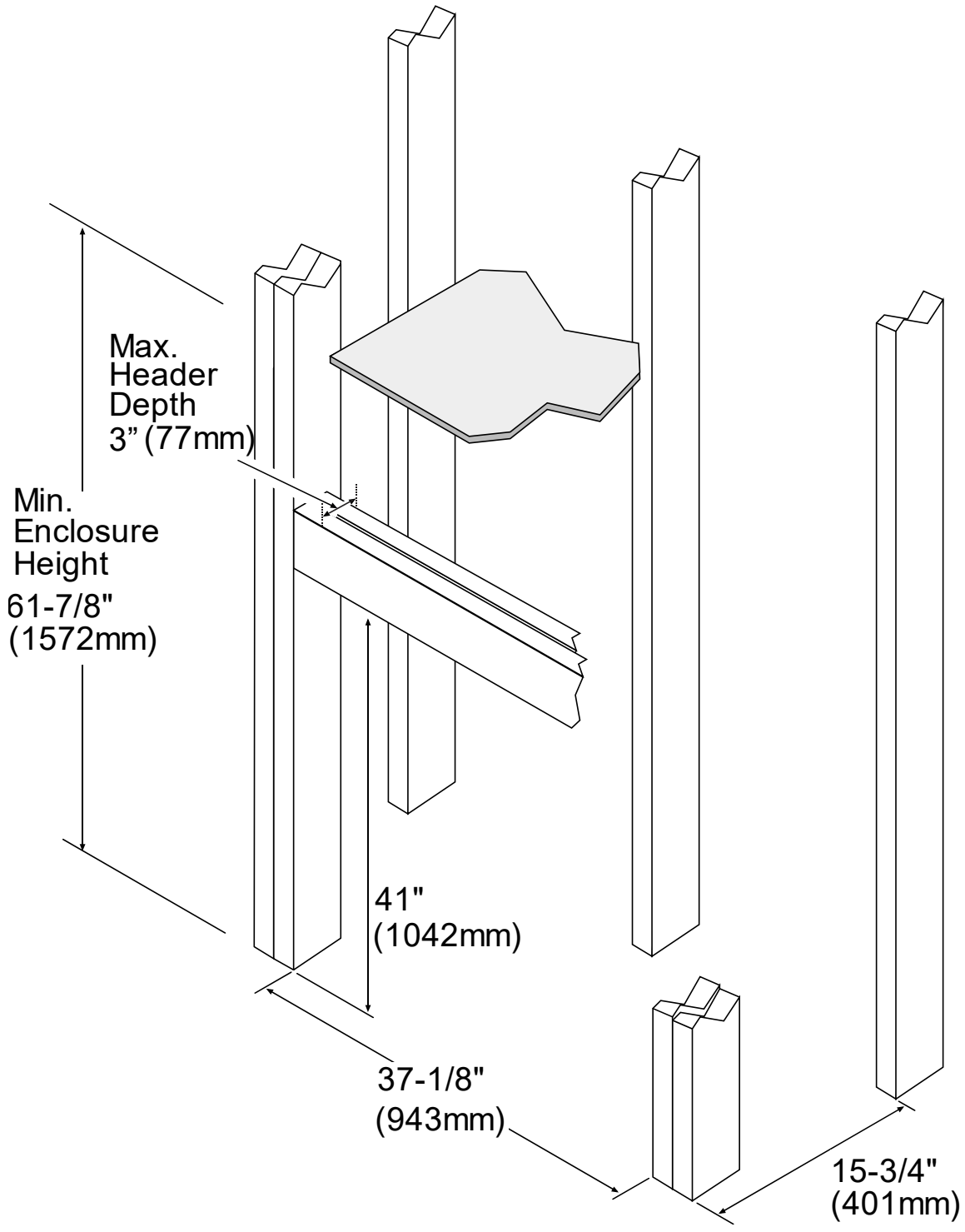
Scan for
Installation Manual



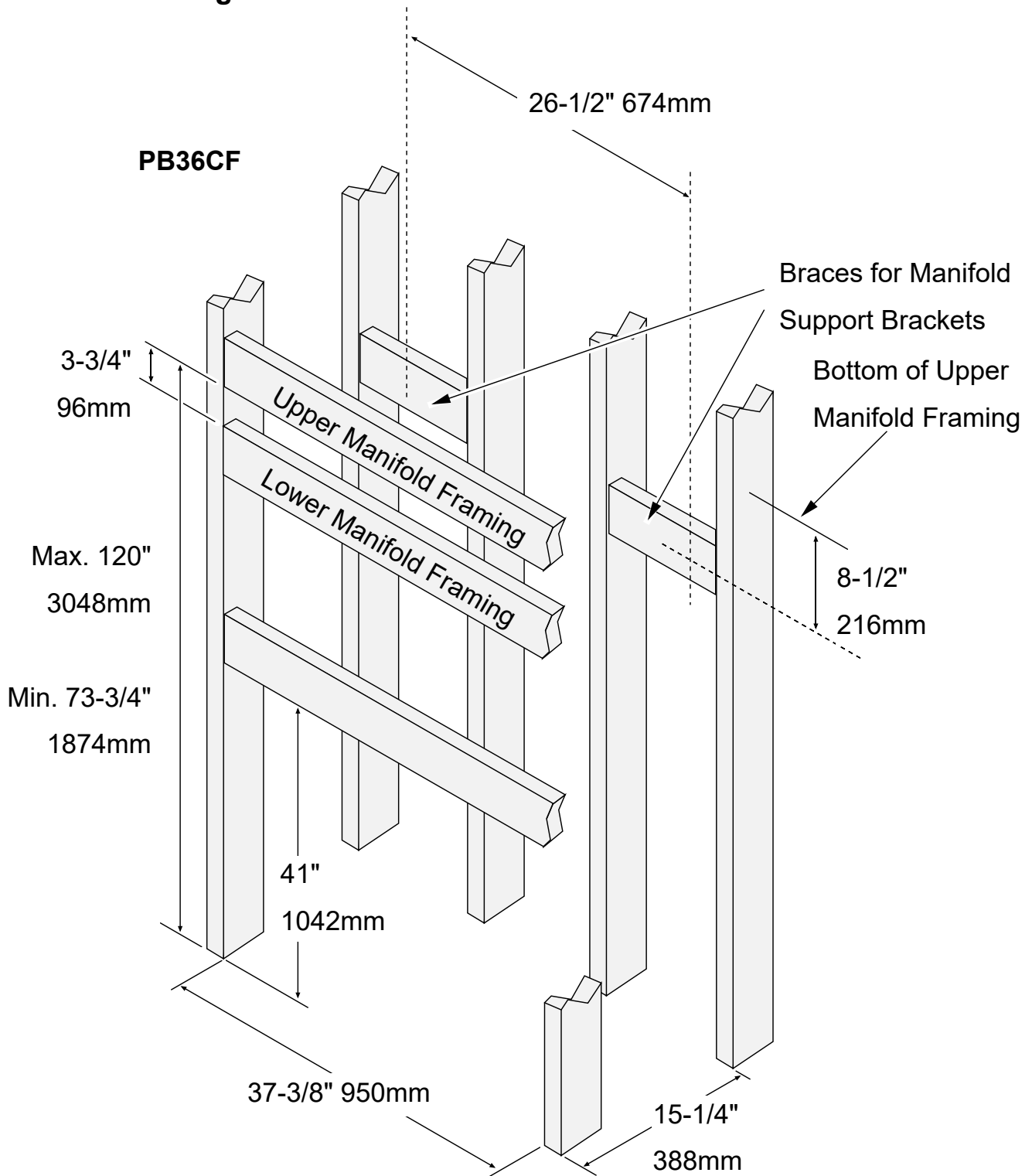
PB 36CF - Fireplace Dimensions



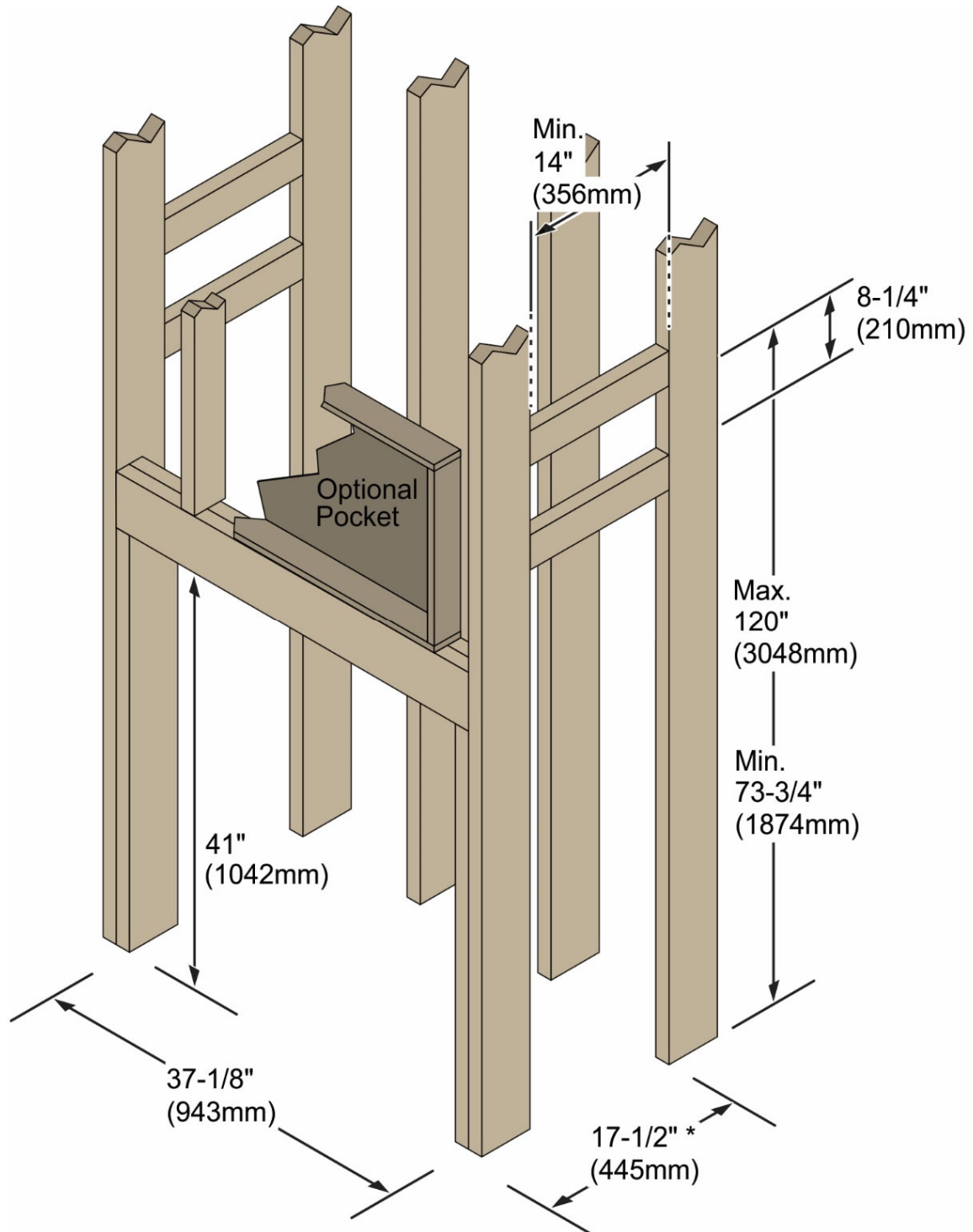
PB 36CF - Framing Dimensions - Standard



PB 36CF - Framing Dimension - With CoolSmart Kit



PB 36CF - Framing Dimension - With CoolSmart Side Vent Kit



* The dimension shown is the minimum depth when the manifold is installed in the typical orientation to the side of the chase (based on the width of the manifold). If installing the manifolds in an alternate location or different orientation, the chase may be framed to the fireplaces minimum framing depth (see appliance manual for details).

ProBuilder 36CF See-Through

- Heating Capacity: Up to 1,800 Sq. Ft.
- BTU Input Per Hour: 11,000 (NG) 10,000 (LP) to 37,500 (NG) 37,500 (LP)
- Glass Viewing Area: Tempered Glass, 30-1/8" W x 26-1/8" H, 780 Sq. In.

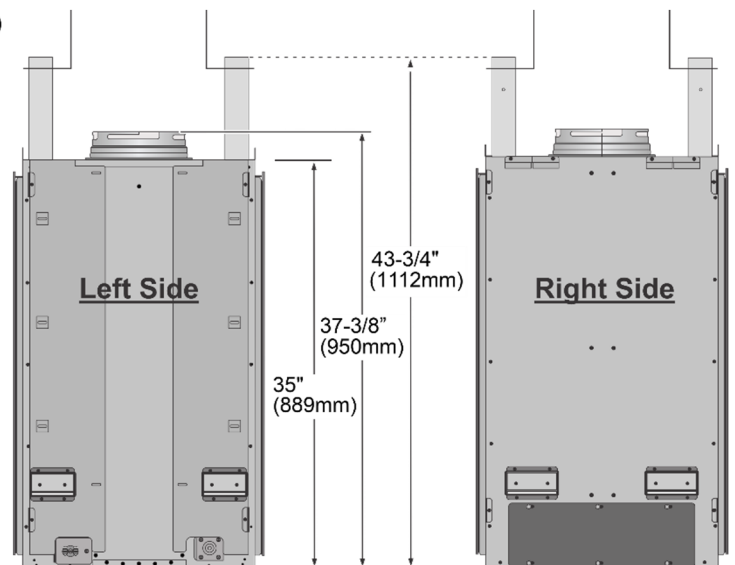
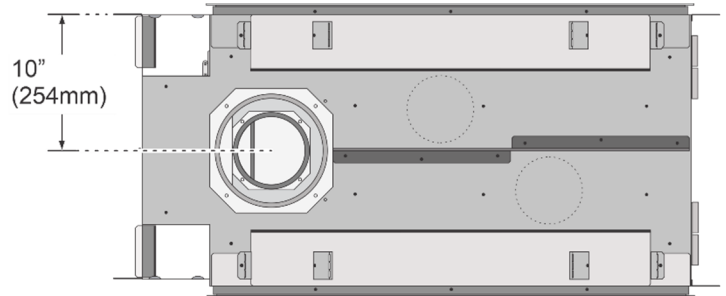
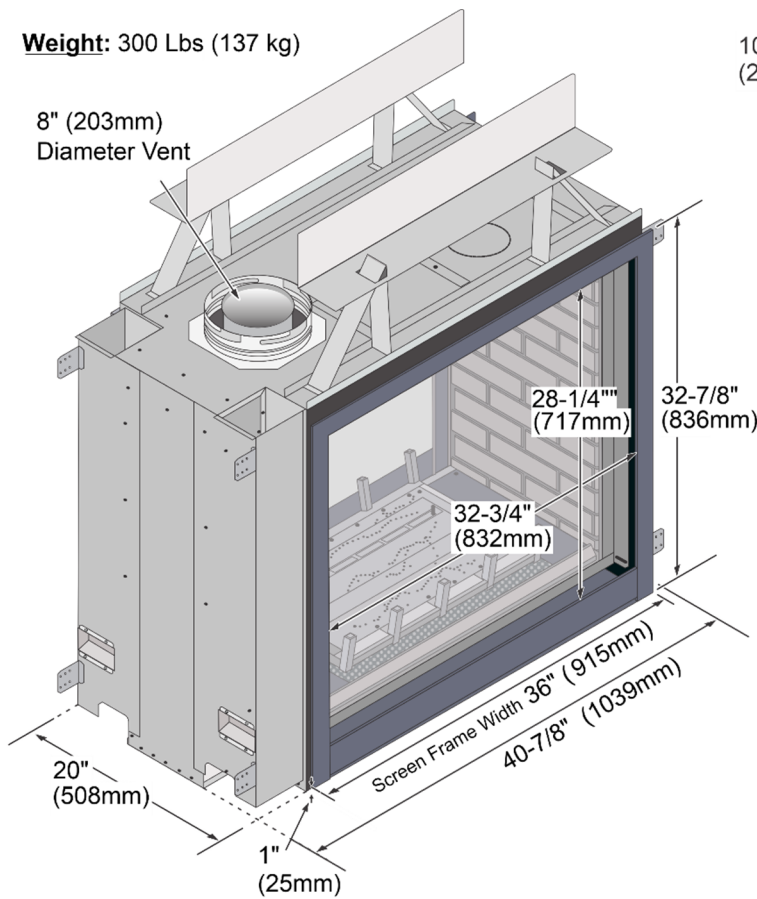
Scan for
Installation Manual



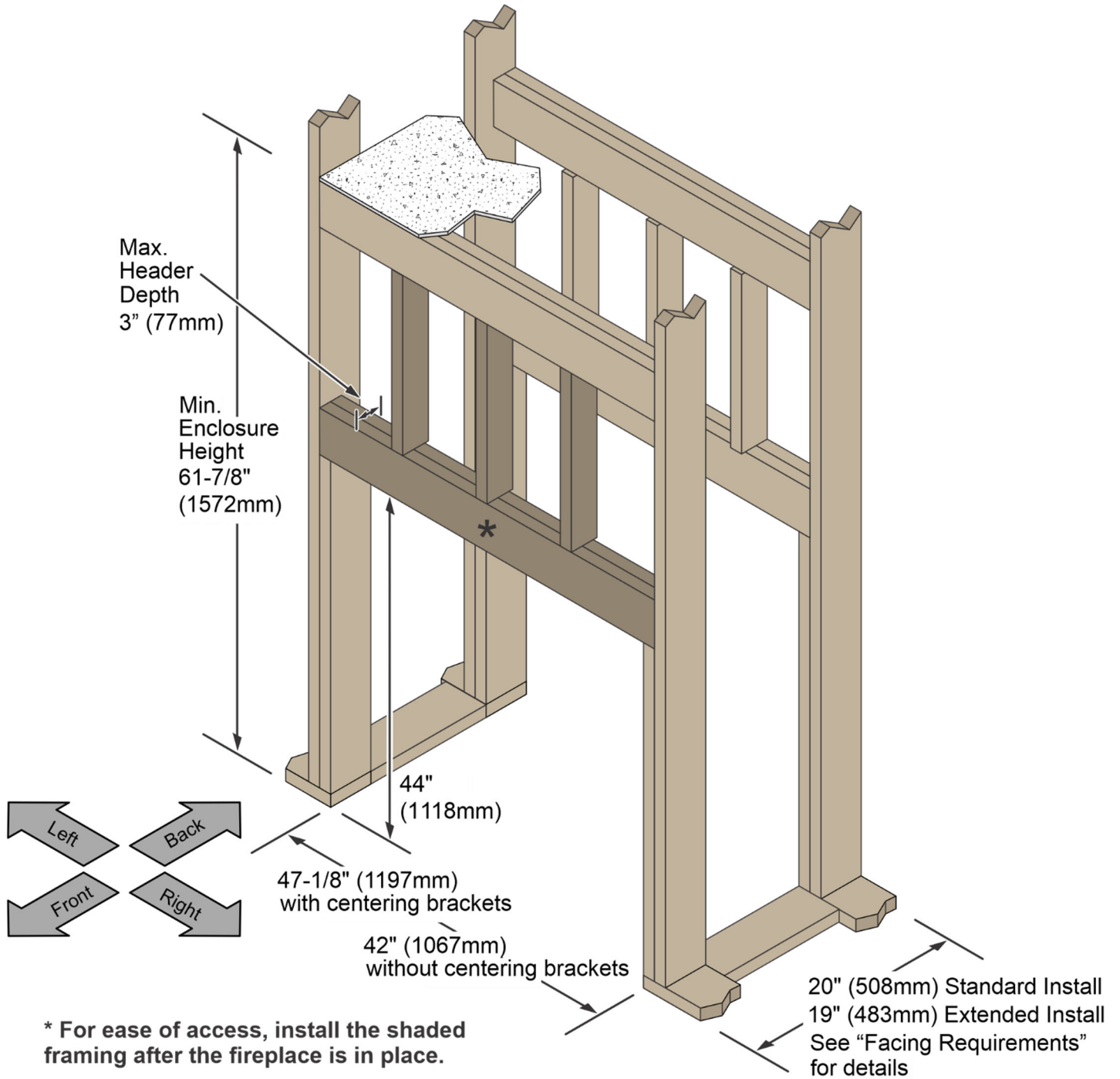
PB 36CF ST - Fireplace Dimensions

Weight: 300 Lbs (137 kg)

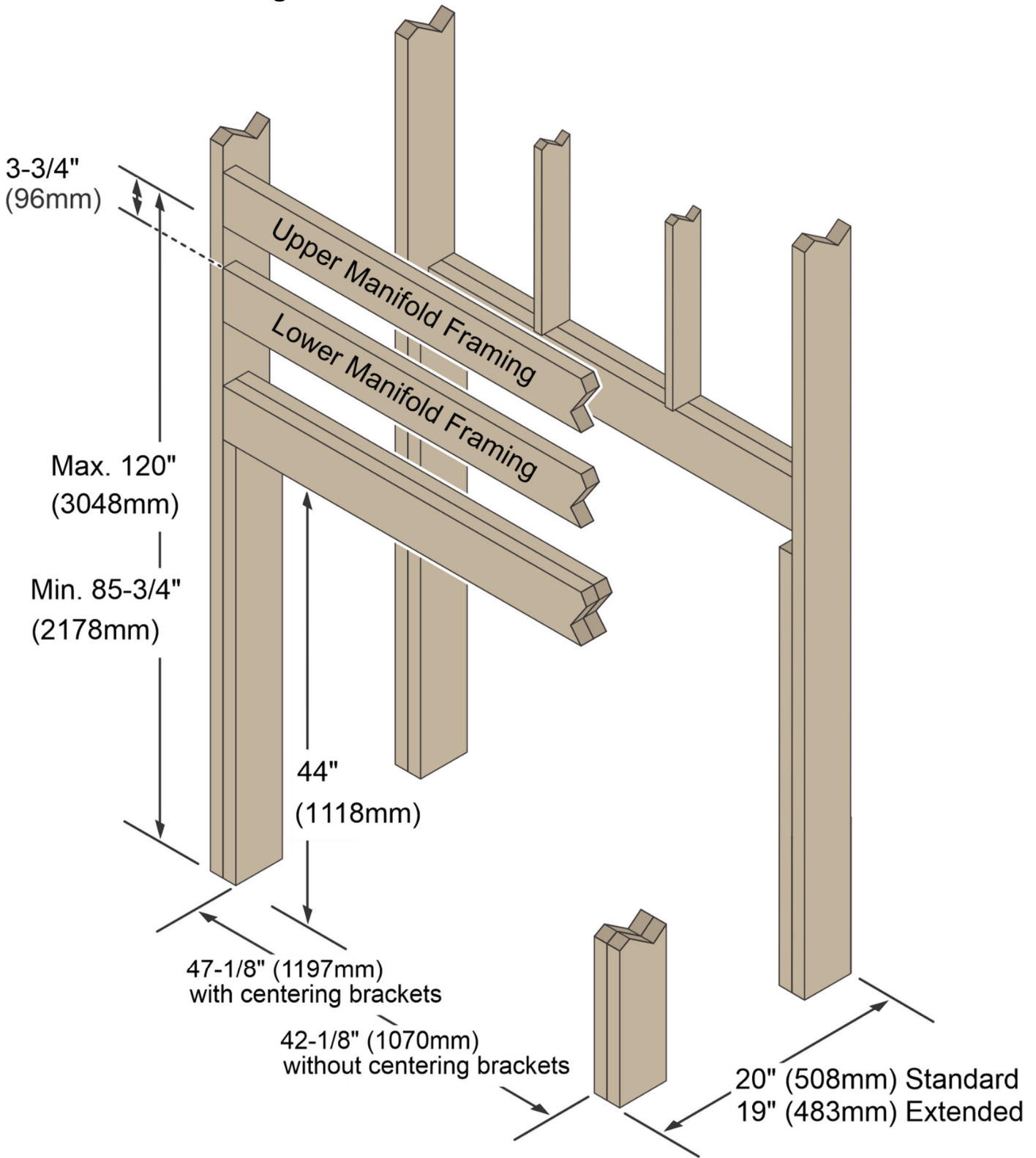
8" (203mm)
Diameter Vent



PB 36CF ST - Framing Dimensions - Standard



PB 36CF ST - Framing Dimension - With CoolSmart Kit



ProBuilder 42CF

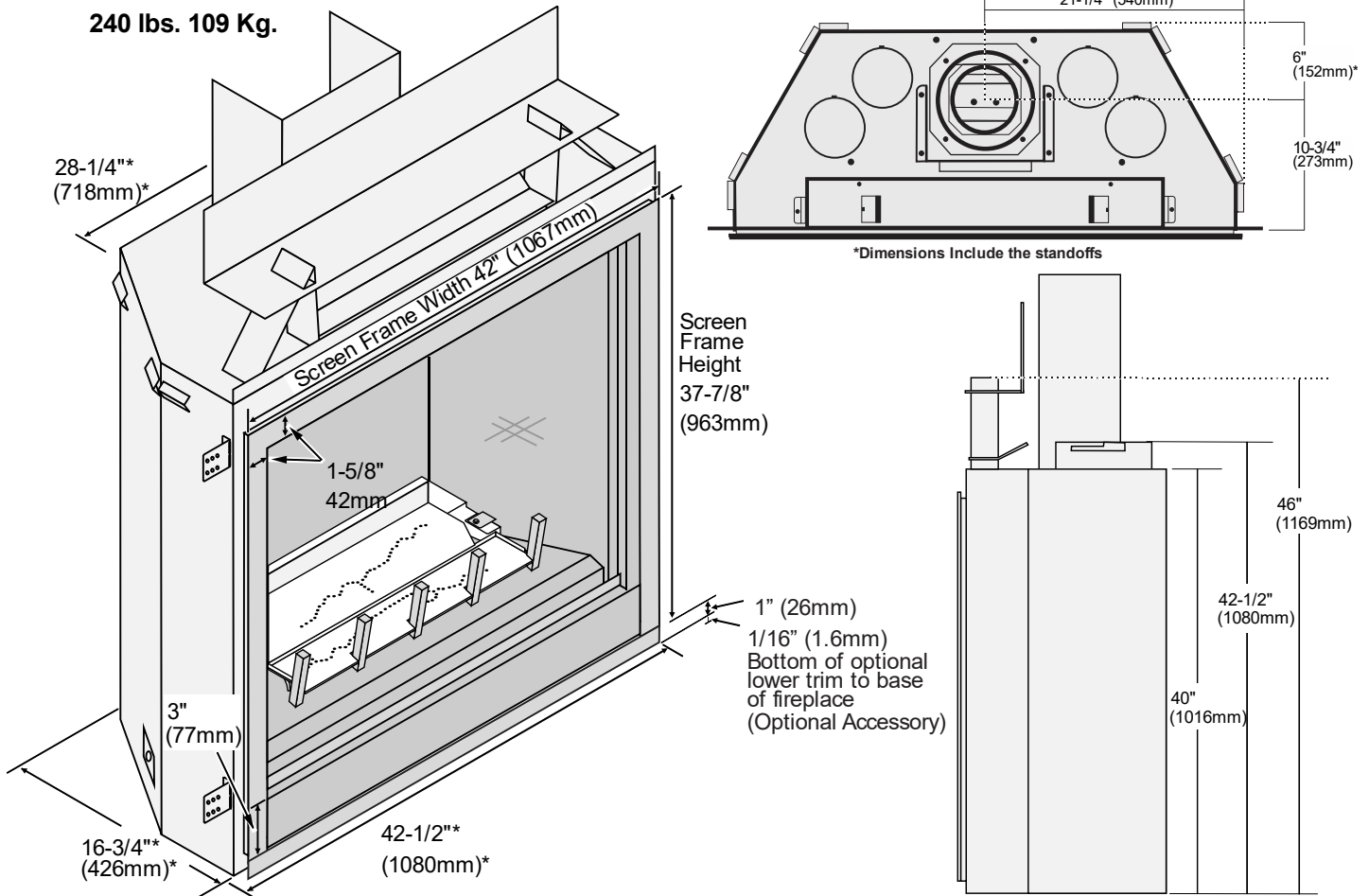
- Heating Capacity: Up to 1,750 Sq. Ft.
- MV & GSB Versions - BTU Input Per Hour: 18,000 (NG)
17,500 (LP) to 35,000 (NG/LP)
- Deluxe Version - BTU Input Per Hour: 8,000 (NG) 7,500 (LP)
to 35,000 (NG/LP)
- Glass Viewing Area: Tempered Glass, 36" W x 31" H, 1,116 sq. in.

Scan for
Installation Manual

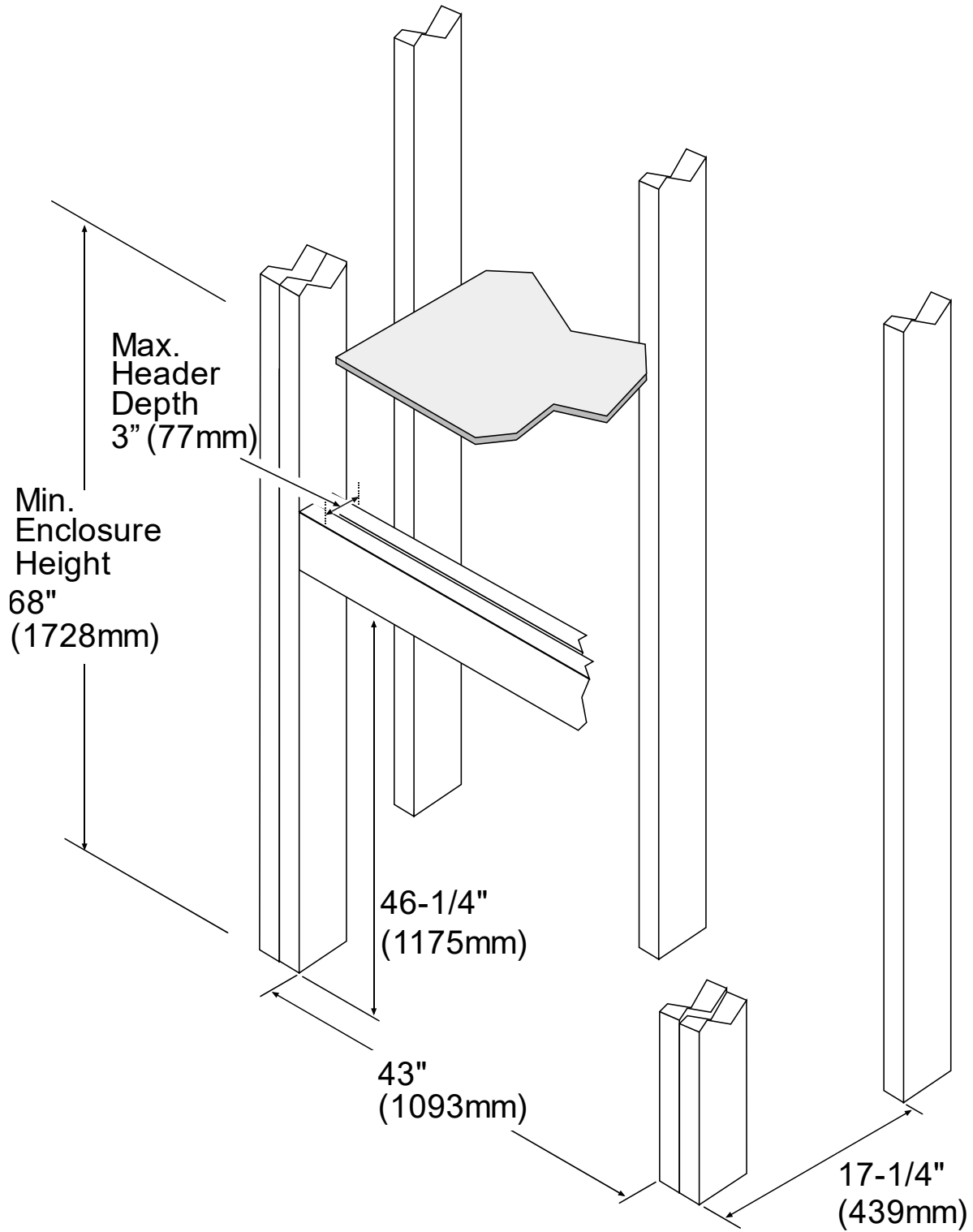


PB 42CF - Fireplace Dimensions

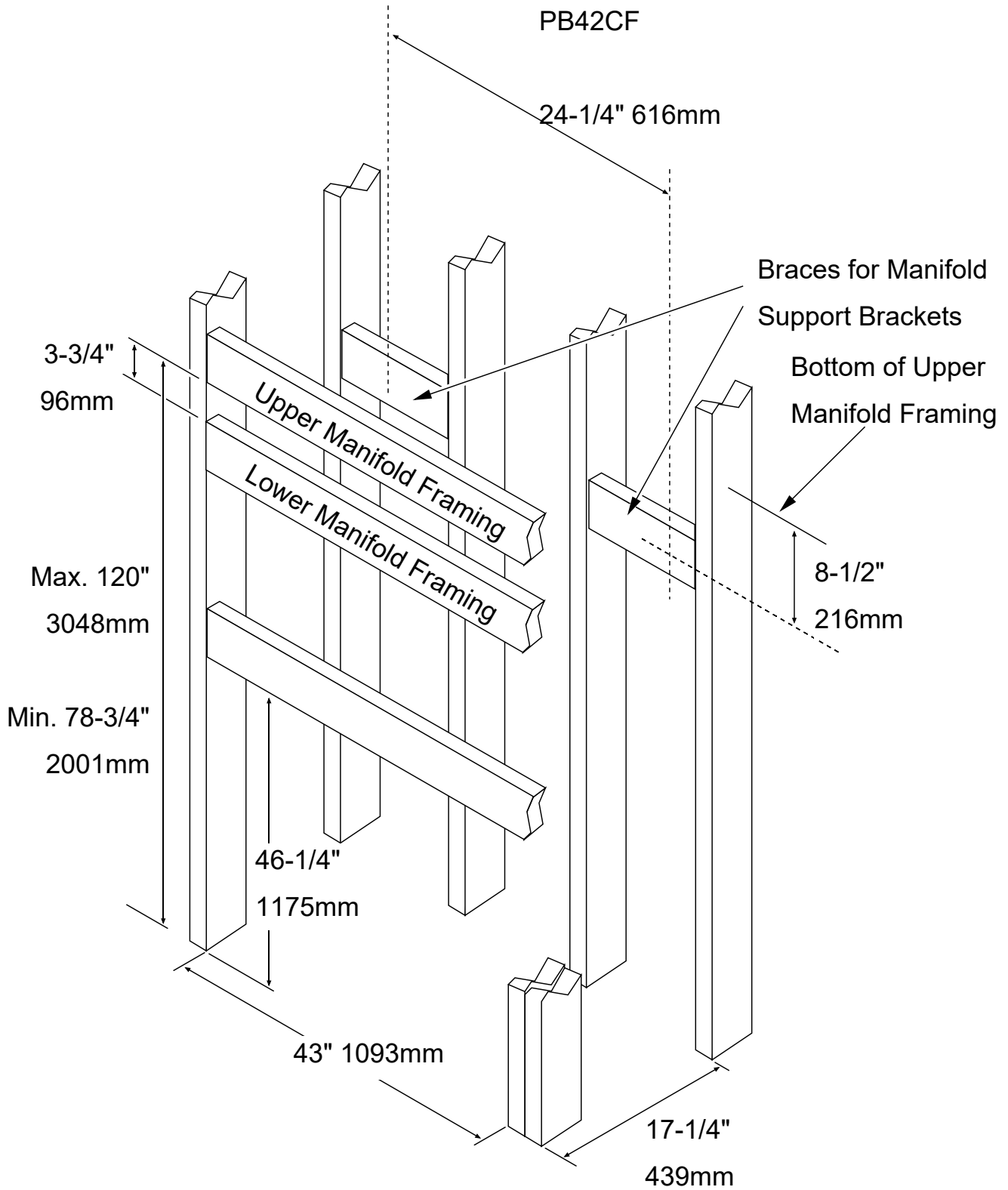
240 lbs. 109 Kg.



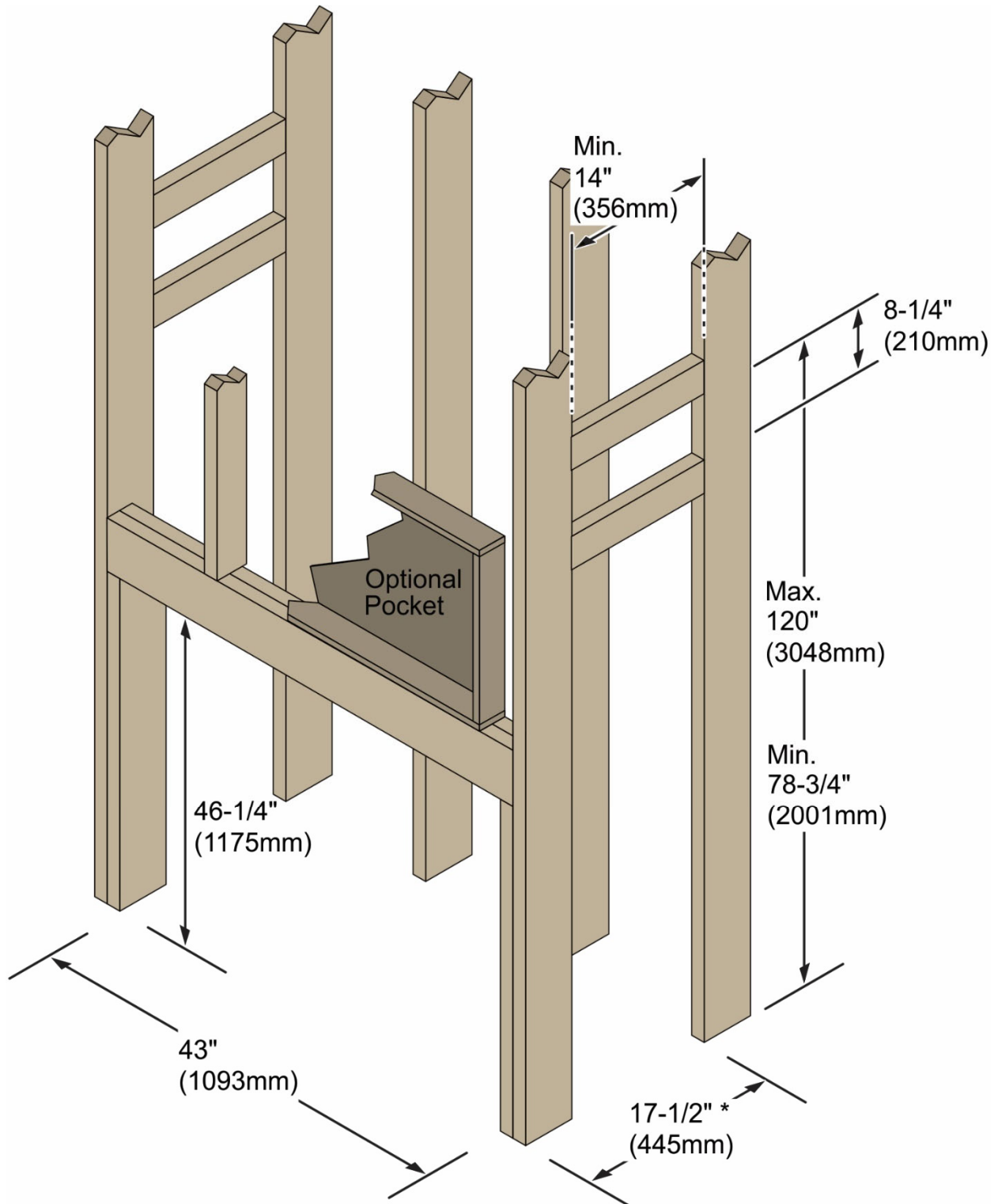
PB 42CF - Framing Dimensions - Standard



PB 42CF - Framing Dimension - With CoolSmart Kit



PB 42CF - Framing Dimension - With CoolSmart Side Vent Kit



* The dimension shown is the minimum depth when the manifold is installed in the typical orientation to the side of the chase (based on the width of the manifold). If installing the manifolds in an alternate location or different orientation, the chase may be framed to the fireplaces minimum framing depth (see appliance manual for details).

There are many variables to consider in determining what product is the best fit for your home. Print out this worksheet and fill in all the information that you can. Bring this information with you when you visit your local dealer to assist them with understanding the scope of the project so that they can best assist you in the selection of a hearth product based on your home layout and heating requirements.

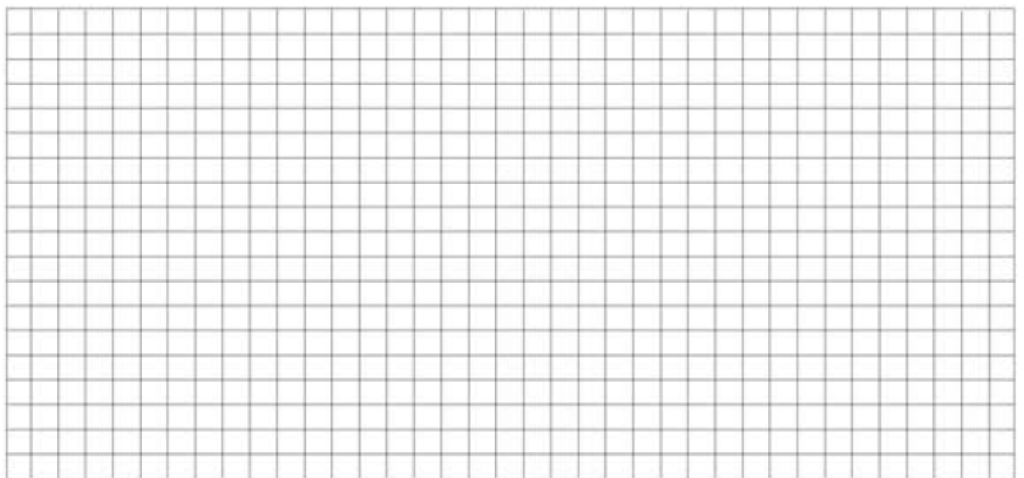
Are you looking at the right type of appliance for your project?

Zero-clearance fireplaces are typically installed during the construction of a new home or as a part of a remodel project. Zero-clearance fireplaces are designed to be framed into a wall without the need to be contained in a pre-existing wood-burning fireplace. If you have a pre-existing masonry or zero-clearance wood fireplace ask your dealer about the many gas insert options that Travis Industries offers and consult with them about what type of appliance is most appropriate for your application.

Project Contacts Name: _____
Email Address: _____ Phone # _____
Address of installation: _____
Preferred timeframe for the installation

1. Do you have a fireplace in mind for your project? If so, what model? _____
2. What year was the home built? _____
3. How well insulated is the home? _____
4. What is the square footage of the home? _____
5. What square footage are you wanting to heat with this appliance? _____
6. What is the ceiling height in the desired location of the installation? _____
7. Will this installation use natural gas or propane? _____
8. Is there gas in the home already? _____
9. Has gas already been piped to the desired location of the fireplace? _____
10. What other gas appliances are in the home? _____
11. Will this installation be a part of new construction or a remodel? _____
12. How many stories is the home? _____
13. Will this installation be in a basement? _____
14. If so, is it a daylight basement or is it below grade? _____

15. On the grid to the right, sketch out the floor plan of the space. Mark the location where you would like the new appliance installed.



NOTE: Scan the QR code to see a framing guide for all of our fireplaces.



NOTE: If the installation is part of a remodel or replacement of an existing fireplace it would be helpful if you could supply the dealer with pictures of the room, existing fireplace (if applicable), the roofline, and the outside of the structure (close to where the installation will be).