

DELRAY / FROM MINIMALIST TO INDULGENCE



# DELRAY

SQUARE

## MAKE A STATEMENT

DRSQ42NI  
DRSQ42NI-2  
DRSQ46NI  
DRSQ46NI-2

SINGLE SIDED  
DIRECT VENT

### DELRAY FULL LOAD SQUARE

#### Standard

- Concealed universal burner
- Multi-function remote
- Remote Hi-Lo flame
- Remote controlled fans
- Micro mesh safety screen
- Battery backup
- Halogen downlighting

#### Options

- Heat management
- Adjustable trim kits
- Traditional logsets
- Contemporary scenes
- Traditional and contemporary liners
- Propane conversion kit
- Speckled stones, glass media
- WiFi phone app control

### DELRAY BASIC SQUARE

#### Standard

- Concealed universal burner
- Manual Hi-Lo flame

#### Options

- Heat management
- Adjustable trim kits
- Remote control
- Fans
- Micro mesh safety screen
- Traditional and contemporary liners
- Propane conversion kit
- Battery backup
- Traditional logsets
- Contemporary scenes
- Speckled stones, glass media

### QUICK DIMENSIONS

	DRSQ42		DRSQ46	
	UNIT	FRAM.	UNIT	FRAM.
F.WIDTH	42	45	46	49
B.WIDTH	20 <sup>3</sup> / <sub>8</sub>	45	22 <sup>3</sup> / <sub>4</sub>	49
HEIGHT	43 <sup>3</sup> / <sub>8</sub>	51	47 <sup>3</sup> / <sub>8</sub>	55
DEPTH	19 <sup>1</sup> / <sub>2</sub>	22	21	22
VIEWING	37 <sup>1</sup> / <sub>16</sub> X 26 <sup>7</sup> / <sub>8</sub>		41 <sup>1</sup> / <sub>16</sub> X 30 <sup>7</sup> / <sub>8</sub>	

### BTU LISTING

DRSQ42NI / 32,500  
DRSQ42NI-2 / 32,500  
DRSQ42LI / 27,000  
DRSQ42LI-2 / 27,000

DRSQ46NI / 40,000  
DRSQ46NI-2 / 40,000  
DRSQ46LI / 34,000  
DRSQ46LI-2 / 34,000

### EFFICIENCY P.4. 1-15

DRSQ42NI / 63.1%  
DRSQ42NI-2 / 63.1%  
DRSQ42LI / 63%  
DRSQ42LI-2 / 63%

DRSQ46NI / 64.1%  
DRSQ46NI-2 / 64.1%  
DRSQ46LI / 64.7%  
DRSQ46LI-2 / 64.7%

<sup>A</sup>Standard on DRSQ\*\*NI-2  
<sup>†</sup>Optional on DRSQ\*\*NI-2 only  
<sup>‡</sup>Full load units only



## Features

Easily convert from contemporary to traditional looks while using the same burner

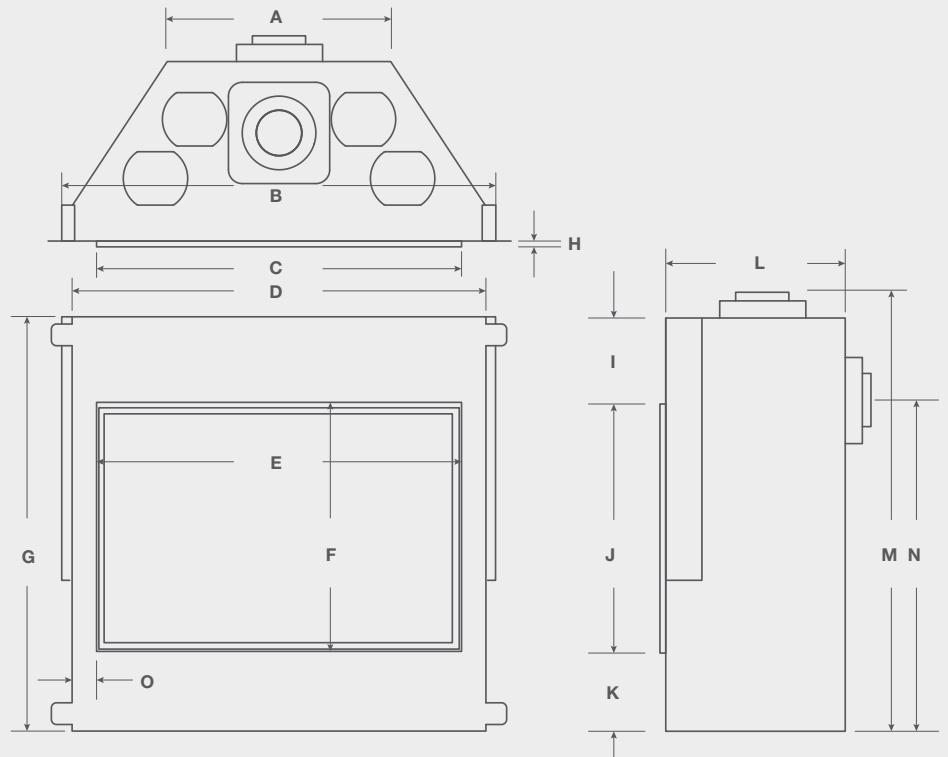
Meets requirements for efficiency rebates

Field propane convertible

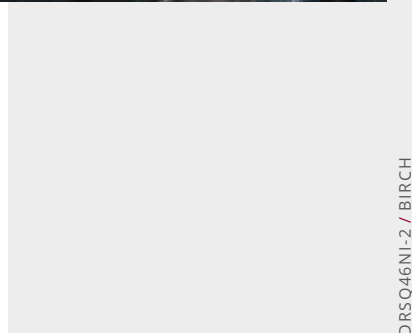
Mobile home compatible

DELRAY / SQUARE / DRSQ46NI-2 / SPLIT OAK

## DELRAY SQUARE DIMENSIONS



	A	B	C	D	E	F	G	H	I	J	K	L	M	N	O
DRSQ42	20 $\frac{3}{8}$	43 $\frac{1}{16}$	37 $\frac{3}{4}$	42	37 $\frac{1}{16}$	26 $\frac{7}{8}$	43 $\frac{1}{16}$	$\frac{1}{2}$	9	26 $\frac{1}{16}$	7 $\frac{1}{4}$	19 $\frac{1}{2}$	45	34 $\frac{9}{16}$	2 $\frac{1}{8}$
DRSQ46	22 $\frac{3}{4}$	47 $\frac{1}{16}$	41 $\frac{3}{4}$	46	41 $\frac{1}{16}$	30 $\frac{7}{8}$	47 $\frac{3}{16}$	$\frac{1}{2}$	8 $\frac{1}{16}$	30 $\frac{1}{16}$	7 $\frac{1}{4}$	21	49 $\frac{1}{16}$	38 $\frac{1}{2}$	2 $\frac{1}{8}$



DELRAY / SQUARE / DRSQ46NI-2 / BIRCH



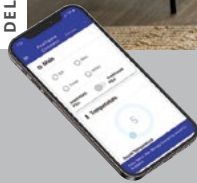
OPTIONS & FEATURES



REMOTE<sup>A</sup>  
RX200\*\*



WALL REMOTE<sup>†</sup>  
EC1550



WIFI PHONE APP CONTROL  
SIT-WIFI<sup>‡</sup>



DOWNLIGHTING<sup>A</sup>



TRADITIONAL LOGETS  
LGS\*\*



CONTEMPORARY SCENES  
CS\*



TRIM KIT  
DRSQT\*\*.\*

LINERS



GREY HERRINGBONE  
DRSQBK\*\*GH



GREY LEDGESTONE  
DRSQBK\*\*GL



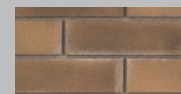
ASH FLUTED  
DRSQBK\*\*AF



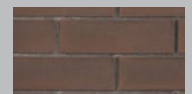
BLACK GLASS  
RBGDRSQ\*\*



VINTAGE BRICK  
DRSQBK\*\*VB



TAN BRICK  
DRSQBK\*\*TB



RED BRICK  
DRSQBK\*\*RB

# DELRAY FINISHING

TRADITIONAL FINISHING • COOL WALL RELEASE / COOL WALL ADVANTAGE

The finishing options for the DelRay Square are as diverse as the unit itself. Create a surface safe for combustibles with the Cool Wall Release or Cool Wall Advantage kit, or keep it simple with traditional finishing. It's all up to you.

## Traditional Finishing

### DRSQ38 NON-VENTED CHASE SURFACE TEMPERATURES

Requires included cement board  
and stud heat deflector.

**140°F**  
16" ABOVE  
OPENING

**150°F**  
12" ABOVE  
OPENING

**180°F**  
8" ABOVE  
OPENING

**190°F**  
4" ABOVE  
OPENING

Standard  
Drywall

Included  
Cement Board



### Trim Kits

For uneven and ledgerstone finishing, we developed a slim finishing kit that fits directly to the fireplace frame to conceal the finished edge.

These kits are adjustable and cover finishing depths up to 2"

### CHASE VENTING VALANCE

Prevent heat from being trapped within the chase by leaving the top open to allow heat to ventilate back into the room.

## Cool Wall Release

### DRSQ38 VENTED CHASE SURFACE TEMPERATURES

DRSQ34  
Minimum 70° inch opening

DRSQ38  
Minimum 100° inch opening

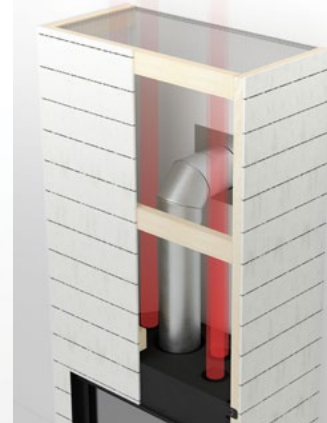
DRSQ42  
Minimum 120° inch opening

DRSQ46  
Minimum 140° inch opening

Temperatures shown are based on a DRSQ38NI-2 with vented chase

Minimum 6' chase  
(When venting ports open or using Cool Wall Advantage kit)  
Minimum 7' chase for DRSQ46

Included cement board and stud heat deflector not required when using the Cool Wall Release or Cool Wall Advantage System.



### VENTING PORTS

Opening the venting ports diverts heat though the chase, resulting in lower wall surface temperatures

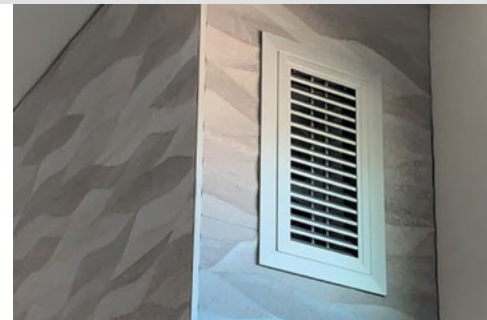
- 90°F  
16" ABOVE OPENING
- 100°F  
12" ABOVE OPENING
- 115°F  
8" ABOVE OPENING
- 130°F  
4" ABOVE OPENING

Combustible Finish

COOL WALL ADVANTAGE / SIDE DISCHARGE KIT

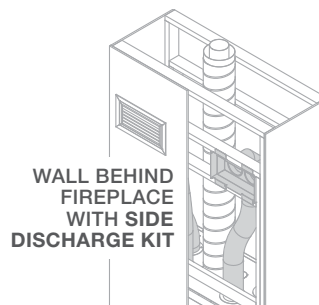
## Cool Wall Advantage

Cool Wall Advantage kits convection pulls the heat through the attached vents and distributes it where it belongs - in the room.

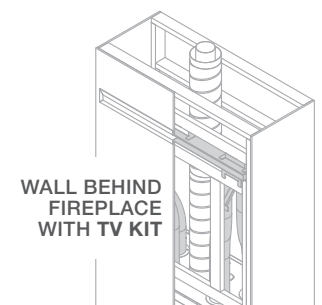


### HEAT DIVERSION INTO AN ADJACENT ROOM

Leverage the heat from your fireplace to warm a room that shares a wall with the unit.



WALL BEHIND FIREPLACE WITH SIDE DISCHARGE KIT



WALL BEHIND FIREPLACE WITH TV KIT



# Unit Specifications

## ICON LEGEND

AVAILABLE	+	NOT AVAILABLE	-
DEDICATED	◊	STANDARD	◦

	BTU NATURAL GAS	BTU LIQUID PROPANE	VENTING	CLEARANCE TOP - TOP VENT	CLEARANCE REAR - TOP VENT	CLEARANCE SIDES	CLEARANCE BACK	CLEARANCE FLOOR	CLEARANCE MANTEL	FRONT VIEWING AREA	FRONT GLASS TYPE	STANDARD MEDIA	MICRO MESH SAFETY SCREEN	POWERVENT	REMOTE CONTROL	FANS	UPLIGHTING	DOWNLIGHTING
DRSQ34*1-2	18,000	16,000	4"/7"	21	17	0	1½	0	9	29 <sup>11</sup> / <sub>16</sub> X 18 <sup>7</sup> / <sub>8</sub>	HIGH TEMPERATURE	N/A	◦	+	◦	◦	-	◦
DRSQ34*1	15,500	14,000	4"/7"	21	17	0	1½	0	9	29 <sup>11</sup> / <sub>16</sub> X 18 <sup>7</sup> / <sub>8</sub>	HIGH TEMPERATURE	N/A	+	+	+	+	-	-
DRSQ38*1-2	24,000	19,500	5"/8" <sup>Δ</sup>	21	17	0	1½	0	6	33 <sup>11</sup> / <sub>16</sub> X 22 <sup>7</sup> / <sub>8</sub>	HIGH TEMPERATURE	N/A	◦	+	◦	◦	-	◦
DRSQ38*1	20,500	16,500	5"/8" <sup>Δ</sup>	21	17	0	1½	0	6	33 <sup>11</sup> / <sub>16</sub> X 22 <sup>7</sup> / <sub>8</sub>	HIGH TEMPERATURE	N/A	+	+	+	+	-	-
DRSQ42*1-2	32,500	27,000	5"/8"	28	28	½	1½	0	10	37 <sup>11</sup> / <sub>16</sub> X 26 <sup>7</sup> / <sub>8</sub>	HIGH TEMPERATURE	N/A	◦	+	◦	◦	-	◦
DRSQ42*1	32,500	27,000	5"/8"	28	28	½	1½	0	10	37 <sup>11</sup> / <sub>16</sub> X 26 <sup>7</sup> / <sub>8</sub>	HIGH TEMPERATURE	N/A	+	+	+	+	-	-
DRSQ46*1-2	40,000	34,000	5"/8"	35	35	½	1	0	10	41 <sup>11</sup> / <sub>16</sub> X 30 <sup>7</sup> / <sub>8</sub>	HIGH TEMPERATURE	N/A	◦	+	◦	◦	-	◦
DRSQ46*1	40,000	34,000	5"/8"	35	35	½	1	0	10	41 <sup>11</sup> / <sub>16</sub> X 30 <sup>7</sup> / <sub>8</sub>	HIGH TEMPERATURE	N/A	+	+	+	+	-	-

ΔCan be reduced to 4"7"

## DELRAY SQUARE FRAMING (MINIMUM DIMENSIONS)

	A*	B	C	D	E	F	G
DRSQ34	49	40½	18	36	52 <sup>2</sup> / <sub>16</sub>	37 <sup>1</sup> / <sub>16</sub>	1
DRSQ38	62 <sup>1</sup> / <sub>8</sub>	44 <sup>7</sup> / <sub>16</sub>	18	40 <sup>3</sup> / <sub>16</sub>	59¼	41 <sup>7</sup> / <sub>8</sub>	2
DRSQ42	72	51	21	45	62 <sup>1</sup> / <sub>16</sub>	44 <sup>1</sup> / <sub>8</sub>	1
DRSQ46	84	55	22	49	67 <sup>3</sup> / <sub>8</sub>	47 <sup>5</sup> / <sub>8</sub>	1

\* Some venting configurations that require more vertical rise will require a larger enclosure to provide minimum vertical clearance between vent pipes and combustibles

Header must be on edge to meet clearance to venting

