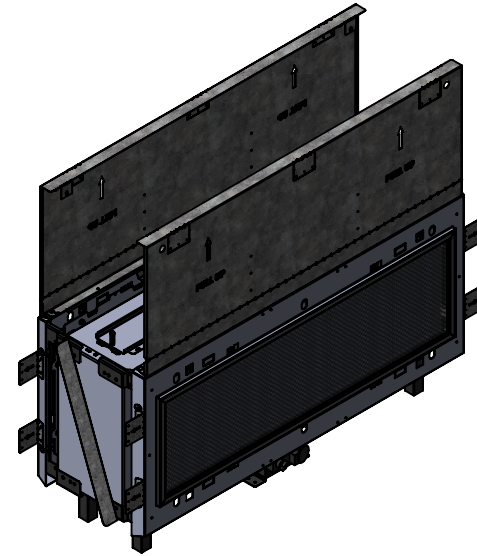
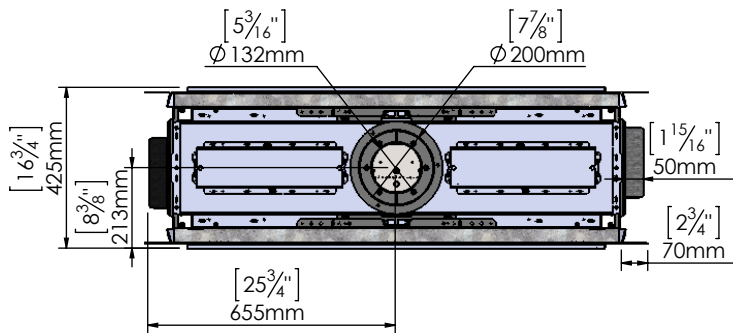
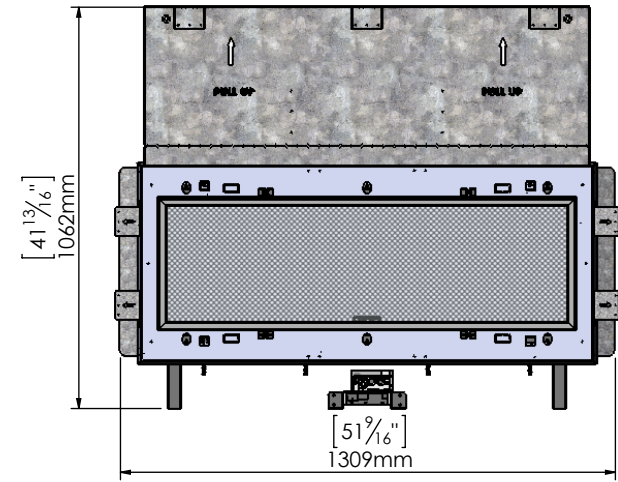
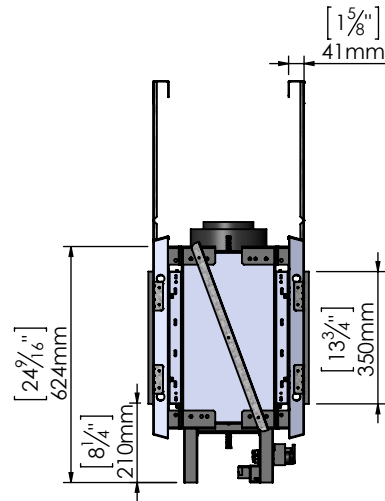
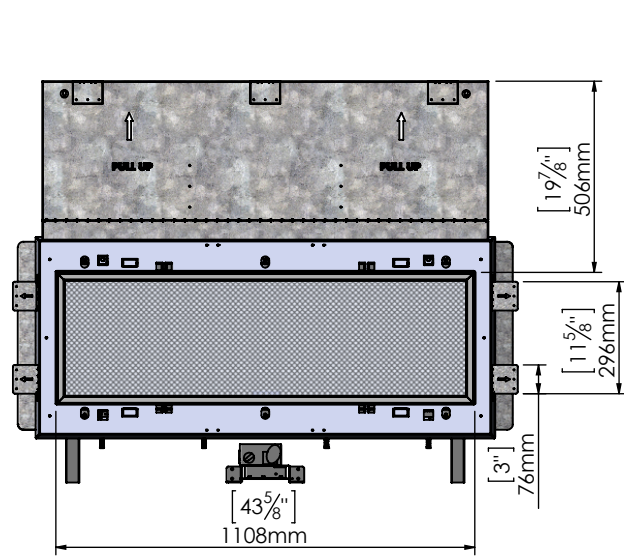


Closed view



Open view

Manufacturer Update – Zero Clearance Installation Unit
Manufacturer Effective Date: March 5th 2018
Serial Number Forward : #15150



Manufacturer Update – Zero Clearance Installation Unit
 Manufacturer Effective Date: March 5th 2018
 Serial Number Forward : #15150