

ASTRA SERIES

HIGH-EFFICIENCY FIREPLACE



supr^{me}

THE FUTURE OF FIRE

As the industry leader of clean burn technology, we have been creating heating solutions that combine unmatched engineering sophistication, quality craftsmanship and timeless appeal for more than 40 years.

Our products boast patented mechanisms that support unparalleled functionality and environmentally responsible performance.

Our diverse collection ranges from classic designs to contemporary styles, ensuring seamless integration into any decor that will enrich your home with comfort and warmth for a lifetime.

Note:

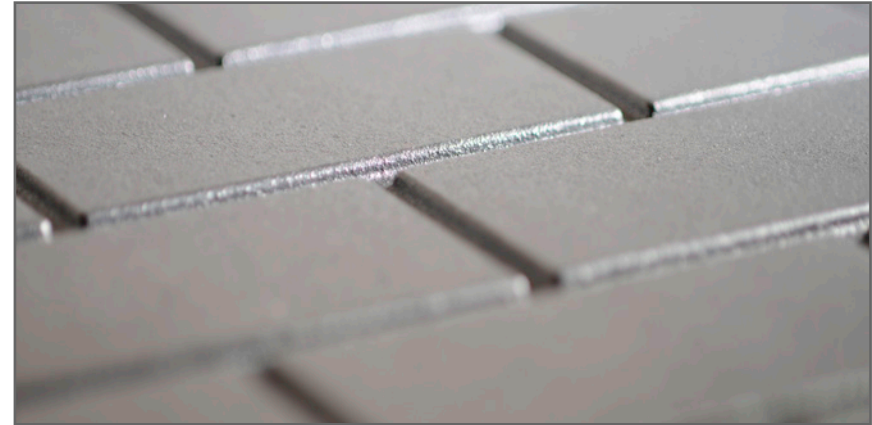
Information and images contained in this catalog are subject to change and should be used for reference only. All installations should be done in accordance to the specifications detailed in the owner's manual.





ASTRA-24 CLEAN FACE

CAST-IRON PANELS



The Astra's stainless steel firebox is lined with cast-iron panels for an extra layer of durability and strength. Designed to provide long-lasting heat and thermal protection, these industry-first, decoratively stamped panels also provide the added benefit of the timeless beauty of cast iron. Forged in fire, tempered with time, the Astra offers a lifetime of warmth.

ASTRA 24

HIGH-EFFICIENCY FIREPLACE



ASTRA 24 TRADITIONAL



HEAT CAPACITY

500 to 1,500 sq.ft.



HEATING TIME

5 to 10 hours



FIREBOX SIZE

2.4 cu ft



GLASS DIMENSIONS

24" x 13 1/2"



MAX. HEAT OUTPUT

75,000 BTUs



LOG SIZE

Up to 23"
Recommended 18"



EMISSIONS

1.8 g/hr
EPA 2020 Certified



CHIMNEY

6 inch listed to UL103/
ULC S629 standards

ASTRA 32



HEAT CAPACITY

1,000 to 2,000 sq.ft.



HEATING TIME

6 to 12 hours



FIREBOX SIZE

3.2 cu ft



GLASS DIMENSIONS

22 7/8" x 15 1/2"



MAX. HEAT OUTPUT

100,000 BTUs



LOG SIZE

Up to 22"
Recommended 18"



EMISSIONS

1.47 g/hr
EPA 2020 Certified



CHIMNEY

6 inch listed to UL103/
ULC S629 standards

ASTRA 38

HIGH-EFFICIENCY FIREPLACE



ASTRA 38 TRADITIONAL



HEAT CAPACITY

1,000 to 2,500 sq.ft.



HEATING TIME

6 to 12 hours



FIREBOX SIZE

3.8 cu ft



GLASS DIMENSIONS

22 7/8" x 15 1/2"



MAX. HEAT OUTPUT

125,000 BTUs



LOG SIZE

Up to 22"
Recommended 18"



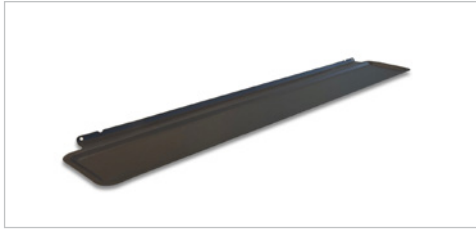
EMISSIONS

1.85 g/hr
EPA 2020 Certified



CHIMNEY

6 inch listed to UL103/
ULC S629 standards



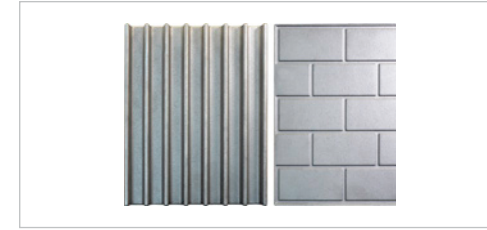
REMOVABLE ASH LIP

Offering a layer of protection against ashes, this removable accessory can be attached below the door to prevent spills when the fireplace is opened.



PATENTED AUTOMATIC AIR CONTROL

This patented, user-friendly mechanism automatically reduces the amount of combustion air introduced during ignition to the desired burn rate setting. The result is a beautifully consistent fire burning to its full capacity.



REVERSIBLE CAST-IRON PANELS

Crafted with care, our heavy-duty cast iron panels are stamped with a brick pattern on one side and a flowing contemporary design on the other. These reversible panels provide a versatile design that is as beautiful as it is functional.



CHIMNEY SWEEPING CAP

Located on the baffle, this convenient feature allows for easy access of the chimney for maintenance and cleaning without having to remove any other components in the firebox.



UNIQUE DOOR OPERATION

Our finely crafted door handle has an ergonomic design and keeps the door shut by means of a latch for a secure operation.



PATENTED VARIABLE AIR CONTROL

A variable amount of secondary air is introduced into the firebox that mixes with the rising gases of the wood. The result is an appealing and unique arrangement of flames that prolongs combustion, increases efficiency and minimizes emissions.



INNOVATIVE BAFFLE DESIGN

Most EPA units have secondary air tubes that reduce the firebox height and require maintenance. Our unique design allows secondary air to enter through a perforated baffle offering an unimpeded view of the fire all while increasing the efficiency and combustion.



DUAL BLOWER SYSTEM (165 CFM)

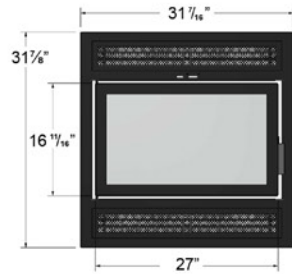
The dual blower system helps distribute the convection heat more efficiently into the room. As the combustion progresses, the blowers automatically activate with the heat and can be set using the variable speed control.



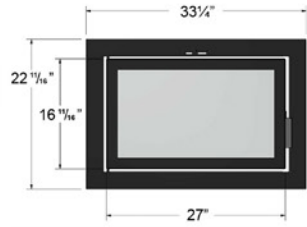
HOT AIR SYSTEM

This option helps distribute warm air to different floors or areas as far as 25 feet away.

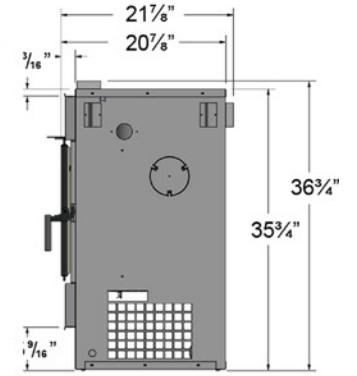
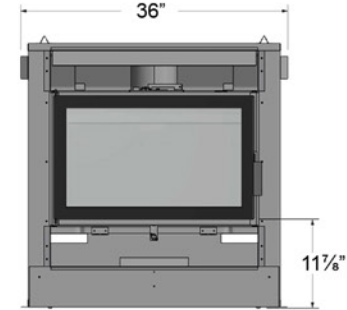
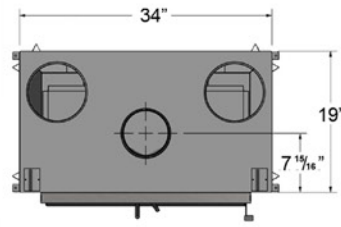
ASTRA 24



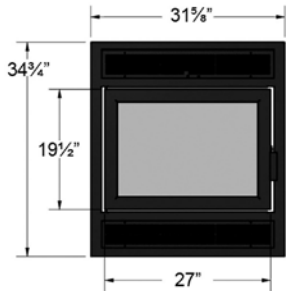
Traditional



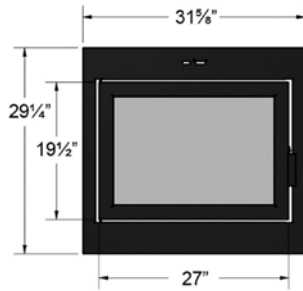
Clean Face



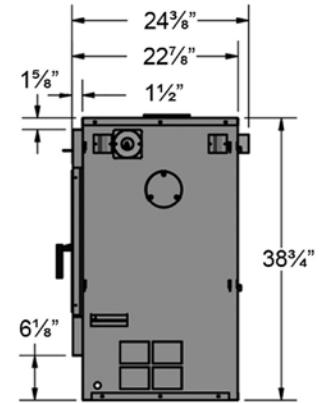
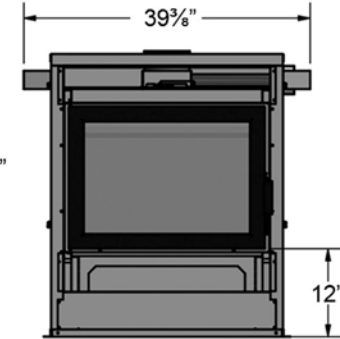
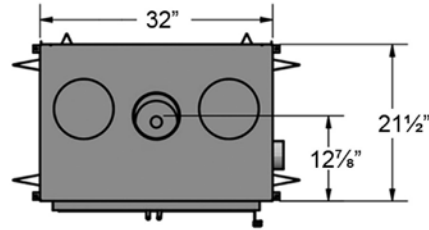
ASTRA 32



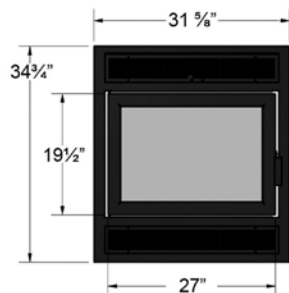
Traditional



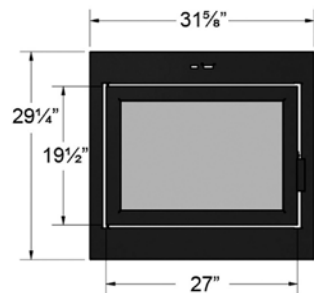
Clean Face



ASTRA 38



Traditional



Clean Face

