

Fire Garden™

Outdoor Linear Fireplace - Single-Sided
Outdoor Linear Fireplace - See-Through

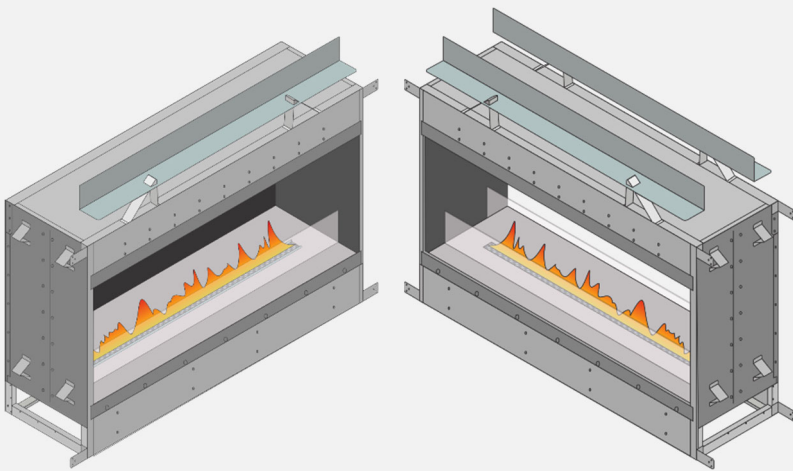
40x24 Single Sided	94900290
40x24 See-Through	94900296
64x24 Single Sided	94900300
64x24 See-Through	94900306



Listed by
Omni-Test Laboratories, Inc.

Report # 0028GM127S

ANSI Z21.97-2017 / CSA 2.41-2017, CSA 2.17-2017
Outdoor Decorative Gas Appliances



⚠ DANGER
FIRE OR EXPLOSION HAZARD
If you smell gas:

- Shut off gas to the appliance.
 - Extinguish any open flame.
 - If odor continues, leave the area immediately.
 - After leaving the area, call your gas supplier or fire department.
- Failure to follow these instructions could result in fire or explosion, which could cause property damage, personal injury, or death.

⚠ WARNING

Do not store or use gasoline or other flammable vapors and liquids in the vicinity of this or any other appliance
An LP cylinder not connected for use shall not be stored in the vicinity of this or any other appliance.

⚠ WARNING: For outdoor use only. Installation and service must be performed by a qualified installer, service agency, or the gas supplier.

⚠ WARNING: Improper installation, adjustment, alteration, service or maintenance can cause injury or property damage. Read the installation, operating, and maintenance instructions thoroughly before installing or servicing this equipment.

⚠ DANGER



CARBON MONOXIDE HAZARD

This appliance can produce carbon monoxide which has no odor.

Using it in an enclosed space can kill you.

Never use this appliance in an enclosed space such as a camper, tent, car, or home.

⚠ WARNING: If the information in this manual is not followed exactly, a fire or explosion may result causing property damage, personal injury, or loss of life.

INSTALLER: Leave this manual with the appliance.

CONSUMER: Retain this manual for future reference

French language manuals at firegarden.com. Manuels de langue Française à firegarden.com

Overview

This manual details the installation, operation, and routine maintenance of the Outdoor Linear Fireplaces.

Listing Details

This fireplace was tested to ANSI Z21.97-2017 / CSA 2.41-2017 "Outdoor Decorative Gas Appliances", CSA 2.17-2017 - "Gas-Fired Appliances for Use at High Altitudes". The listing label is chained to the appliance. A copy is shown to the right.

Important Registration & Service Info

No other appliance has the same serial number as yours. The serial number is on the safety label attached by a chain under the media screen. This serial number will be needed in case you require service of any type. To receive full warranty coverage, you will need to show evidence of the date of purchase. Visit traviswarranty.com to register your appliance. If any service issues arise, contact your dealer for assistance.

National Fireplace Institute



NATIONAL FIREPLACE INSTITUTE
CERTIFIED
www.nficertified.org


We suggest that our gas hearth products be installed and serviced by professionals who are certified in the U.S. by the National Fireplace Institute® (NFI) as NFI Gas Specialists.

Dealer Information

Please record your dealer information here for future reference:

Dealer Name: _____
 Dealer Address: _____
 Dealer E-Mail: _____
 Dealer Phone #: _____

CALIFORNIA RESIDENTS



WARNING: This product can expose you to chemicals including Carbon Monoxide and Benzene, which are known to the State of California to cause cancer, birth defects, or other reproductive harm. For more information go to www.P65Warnings.ca.gov.

Serial Number



GAS RATING	NG	LP
Input Rating (BTU/h)	7" WC	11" WC
Orifice Size	7" WC	11" WC
Manifold Pressure	6" WC	10" WC
Max. Inlet Pressure		
Min. Inlet Pressure		

GAS RATING
 Input Rating (BTU/h)
 Orifice Size
 Manifold Pressure
 Max. Inlet Pressure
 Min. Inlet Pressure

Tested to: ANSI Z21.97-2017 / CSA 2.41-2017 "Outdoor Decorative Gas Fireplace", "CSA 2.17-2017 - "Gas-Fired Appliances for Use at High Altitudes", Suitable for use in elevations of 0-4500 ft (0-1370 m). Electrical Rating: 120 VAC, 60 Hz, 0.9 Amps (Electrical rating for the basic model only: 24 VAC, 60 Hz, 1.6 Amps.)
 For outdoor installation only. The gas supply must be turned off at the LP-gas supply cylinder when this appliance is not in use (if applicable). Cover must be removed when burner is in operation.

MANUFACTURE DATE:

<input type="checkbox"/> 2023	<input type="checkbox"/> Jan.	<input type="checkbox"/> Apr.	<input type="checkbox"/> Jul.	<input type="checkbox"/> Oct.
<input type="checkbox"/> 2024	<input type="checkbox"/> Feb.	<input type="checkbox"/> May	<input type="checkbox"/> Aug.	<input type="checkbox"/> Nov.
<input type="checkbox"/> 2025	<input type="checkbox"/> Mar.	<input type="checkbox"/> Jun.	<input type="checkbox"/> Sep.	<input type="checkbox"/> Dec.

Min. Clearances to Combustible Materials*
 *See manual for further details

Overview.....	2	Using More than One 24-volt Appliance.....	23
Listing Details	2	Wiring Multiple Transformers to One Switch.....	23
Important Registration & Service Info.....	2	Wiring Multiple Appliances to One Transformer.....	24
Features:.....	5	Daisy-Chain Wire Length Chart.....	25
Installation Options:	5	Direct-Run Wire Length Chart.....	26
Electrical Specifications:.....	5	Wiring Examples:.....	26
Appliance Weight:.....	5	Facing Requirements	27
Gas Specifications:.....	5	Mantel Requirements	28
Fireplace Dimensions:	6	Mantel Column Clearances	28
Installation Warnings:	7	Steps for Finalizing the Installation.....	29
Recommended Order of Installation.....	7	Fireback Installation.....	29
Packing List	7	Installation	29
Lifting Handles (optional).....	8	Crushed Glass Installation	31
Additional Items Required	9	Tumbled Stone Installation.....	33
Weatherproofing the Fireplace	10	Assembling the Glass Wind Guard	34
Fireplace Placement Requirements	10	Before the First Fire.....	35
Fireplace Placement Chart.....	11	Operating Instructions	35
Clearances.....	12	Location of Controls.....	36
Minimum Framing Dimensions- Fireplaces	13	Maintaining Your Appliance.....	37
Corner Framing (Fireplaces)	14	Accessing Components.....	38
Enclosure Ventilation Requirements	15	Winterizing the Appliance.....	42
Fireplace Preparation	17	Yearly Service Procedure.....	42
Gas Line Requirements.....	18	Replacement Parts List	43
LP Conversion and Turndown Conversion.....	19	Troubleshooting Table.....	44
Electrical Connection Requirements	20	Wiring Diagram.....	46
24VAC Transformer	20	Index.....	48
Wiring Installation.....	21		

- ! **CAUTION - Do not attempt to light the appliance if the burner is covered in snow or debris.**
- ! **This appliance must be installed in accordance with all local codes if any; if not, follow ANSI Z223.1.**
- ! **This appliance must only be used outdoors in a well-ventilated area. It may not be used in a building, garage, or other enclosed space.**
 - This appliance is not for use with solid fuel.
 - The fireplace must be kept clean and free of leaves and debris to ensure safe operation.
 - Any hose or gas supply line that is damaged or shows evidence of excessive abrasion or wear must be replaced prior to the use of the fireplace.
 - If using a gas supply line to the fireplace, make sure it is properly located away from any walkway or in an area where it may be subject to accidental damage.
 - Educate all children and adults about the dangers of the fireplace. Young children should be supervised when they are in the same area as the fireplace. Do not let children play with the fireplace.
 - Do not place clothing or other flammable items on or near the fireplace.
 - Any screen or guard removed for servicing must be replaced prior to operating the fireplace.
 - This unit must be installed and repaired by a qualified installer to prevent the possibility of an explosion. Your dealer will know the requirements in your area and can inform you of those people considered qualified. The fireplace should be inspected before use and at least annually by a qualified service person. More frequent cleaning may be required due to excessive debris from leaves, dirt, insects, etc.
 - Do not use this appliance if any part has been underwater. Immediately call a qualified service technician to inspect the appliance and replace any part of the control system and any gas control that has been underwater.
 - The instructions in this manual must be strictly adhered to. Do not use makeshift methods or compromise in the installation. Improper installation will void the warranty and safety listing.
- This appliance is approved for either natural gas (NG) or propane (LP). Burning the incorrect fuel will void the warranty and safety listing and may cause an extreme safety hazard. Direct questions about the type of fuel used to your dealer. A label is placed on the control panel to show which fuel the Fireplace is designed for.
- Contact your local building officials to obtain a permit and information on any installation restrictions or inspection requirements in your area.
- If the flame becomes sooty, dark orange in color, or extremely tall, do not operate the fireplace. Call your dealer and arrange for proper servicing.
- Do not operate the fireplace if it is not operating properly in any fashion or if you are uncertain. Call your dealer for a full explanation of your fireplace and what to expect.
- Do not store or use gasoline or other flammable liquids in the vicinity of this fireplace.
- Never remove, replace, modify, or substitute any part of the Fireplace unless instructions are given in this manual for routine maintenance and cleaning. A trained technician must do all other work. Do not modify or replace orifices.
- Allow the fireplace to cool before carrying out any maintenance or cleaning.
- Operate the fireplace according to the instructions included in this manual.
- If the burner does not start correctly turn the gas off at the gas control valve and call your dealer for service.
- Do not use this appliance to cook food.
- Instruct everyone in the house on how to shut the gas off to the fireplace and at the gas main shutoff valve. The gas main shutoff valve is usually next to the gas meter or propane tank and requires a wrench to shut off.
- Do not operate the Fireplace during a lightning storm or a possible lightning storm.
- Do not operate the fireplace during high wind conditions.
- Do not install in or on recreational vehicles and/or boats.
- Do not throw this manual away. This manual has important operating and maintenance instructions that you will need at a later time. Always follow the instructions in this manual.
- **Travis Industries, Inc. grants no warranty, implied or stated, for the installation or maintenance of your fireplace, and assumes no responsibility for any consequential damage(s).**

Features and Specifications

5

Features:

- Electronic Ignition (switch turns fireplace on or off)
- Tempered glass wind guard
- Stainless Steel Construction
- Automatic Gas Shutoff Valve for Safety

Installation Options:

- For Outdoor Installation Only
- For Fixed Gas Line Installations Only

Electrical Specifications:

24 VAC., 60 Hz, 1.6 Amps.

Appliance Weight:

	Single-Sided	See-through
40X24 Fireplaces	250 lbs (114kg)	215 lbs (98kg)
60X24 Fireplaces	350 lbs (159kg)	300 lbs (136kg)

Gas Specifications:

All Fire Garden Fireplaces	Gas Pressures	NG	LP
	Manifold Pressure	7" wc	11" wc
	Max. Inlet Pressure	7" wc	11" wc
	Min. Inlet Pressure	6" wc	10" wc

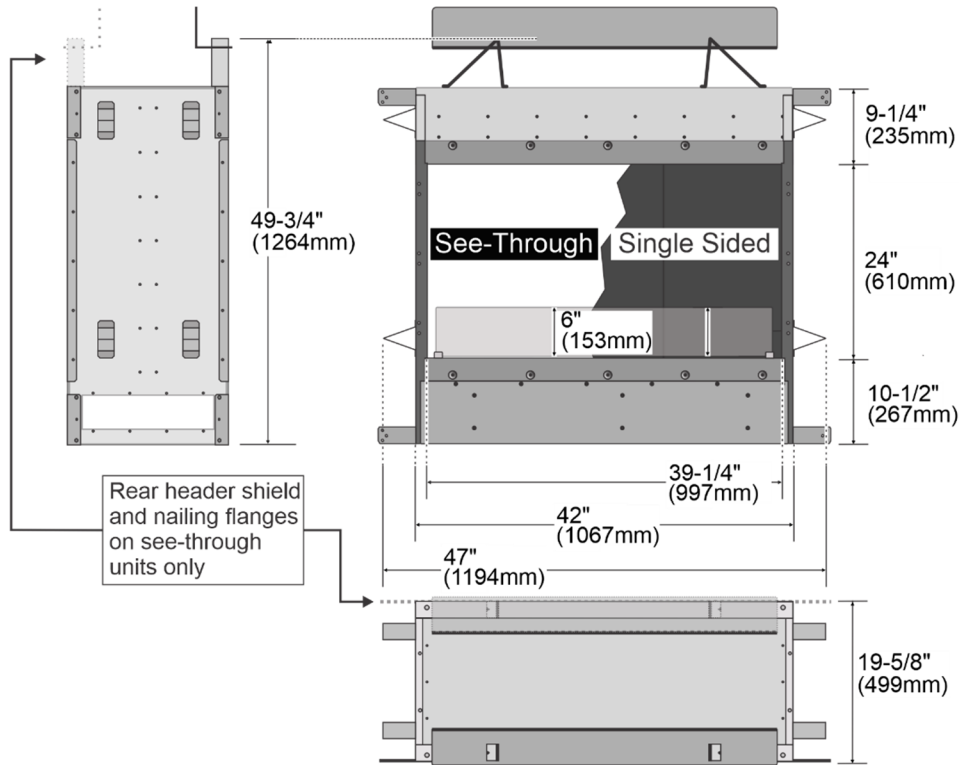
Gas Specifications:

40x24 Fireplace	Input Rating	NG	LP
	Input Rating (BTU/h)	65,000	65,000
	Orifice Size (DMS)	(1) - #29	(1) - #41

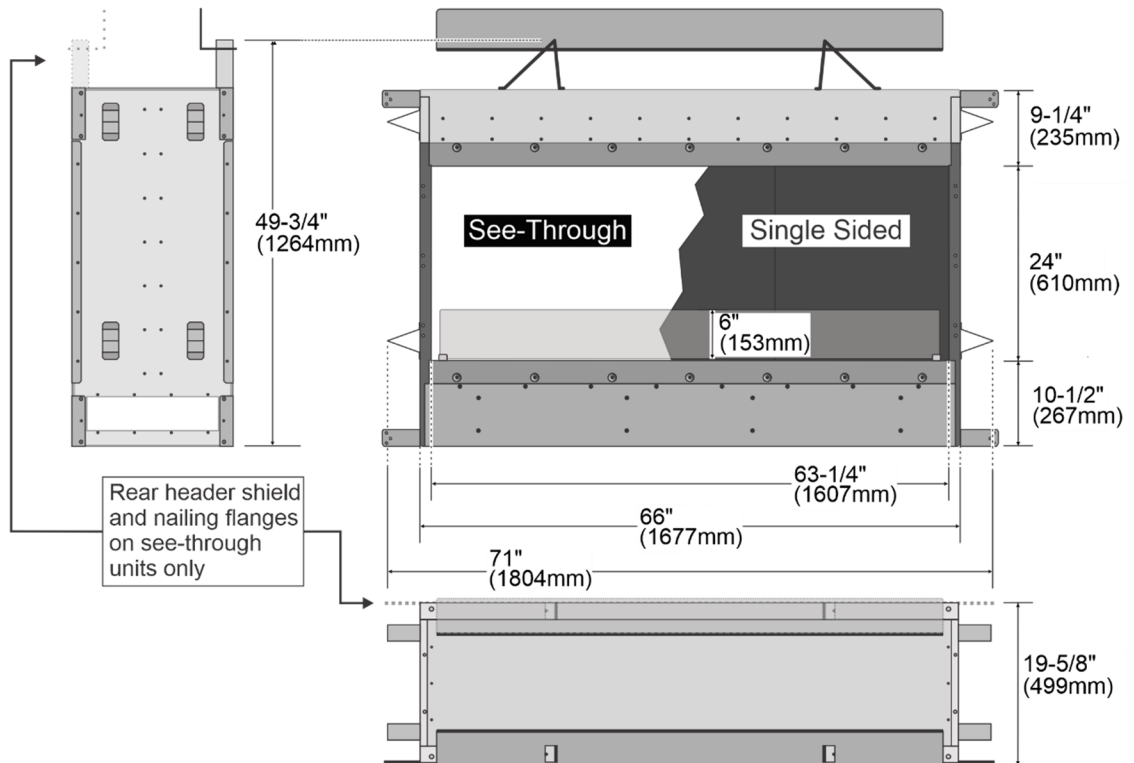
64x24 Fireplace	Input Rating	NG	LP
	Input Rating (BTU/h)	120,000	120,000
	Orifice Size (DMS)	(2) - #30	(2) - #43

Fireplace Dimensions:

40x24 Single-Sided or See-Through



64x24 Single-Sided or See-Through



Installation Warnings:

- ! This appliance is designed for outdoor use only, in well-ventilated areas.
- ! Failure to follow all of the requirements may result in property damage, bodily injury, or even death.
- ! This fireplace must be installed by a qualified installer.
- ! This appliance is designed to operate on natural gas, or propane (LP).
- ! This appliance requires a switched, 110v AC, GFCI (ground-fault circuit interrupter) protected power supply. This circuit provides power to the 24v AC transformer.
- ! Notify your insurance company before hooking up this appliance. All relevant information on the fireplace is located on page 2, *Important Information*. You provide them page 2.
- ! The requirements listed below are divided into sections. All requirements must be met simultaneously. The order of installation is not rigid – the qualified installer should follow the procedure best suited for the installation.

Recommended Order of Installation

1. **CAREFULLY PLAN THE INSTALLATION.** Determine the location of the fireplace and the controls for the fireplace. Make sure all clearances are met, (see page 11).
2. Construct the fireplace platform (for raised fireplaces only)
3. Frame the fireplace enclosure (see page 13)
4. Supply Gas: The appliance requires 120,000 BTU input (natural gas or LP) for the 64x24 and the 60x12 or 66,000 BTU input (natural gas or LP) for the 40x24 and the 36x12. A shut off valve and 34 inches of flex line are provided to assist connection from the supply line to the fireplace valve. The shutoff valve accepts 3/4" MPT (male pipe thread). Before turning the gas on to the fireplace, leak-test all gas line connections. Convert the appliance to LP gas if applicable.
5. Supply Electrical: The appliance uses 24VAC power and draws approximately 1.6 amps - Make sure the circuit and wiring are appropriately sized (see diagrams starting on pg. 23.). If multiple appliances are powered through a single switch the control modules for each of the individual appliances may be daisy-chained together. Make sure to leave slack in the electrical line so the fireplace or fire pit tray can be removed for service.
6. Bleed the gas line and start the fireplace by switching on the electrical power to the control module. Leak test the gas lines. Verify the appliance works correctly and that there are no gas leaks.
7. Install the required non-combustible material around the face of the fireplace (see page 27), non-combustible finish material, and mantel as desired (see page 28).
8. Finalize the installation. Install glass wind guard and crushed glass media.
9. Give the manual to the homeowner and explain the operation of the fireplace.

Packing List

- 34" Long 1" Flex line (accepts 3/4" MPT)
- Glass Wind Guard and mounting brackets and set screws.
- Black Glass Firebacks (3) Rear & (2) Side - **(single-sided only)**
- Black Glass Firebacks - (2) Side Firebacks - **(see-through only)**
- (2) Enclosure ventilation grilles
- LP Conversion Kit (see "LP Conversion" on page 19 for details.
- Wall Switch and wall switch cover.
- Gas Key Valve with Chrome Flange
- 3" & 18" Gas Key
- (2) Enclosure Vents

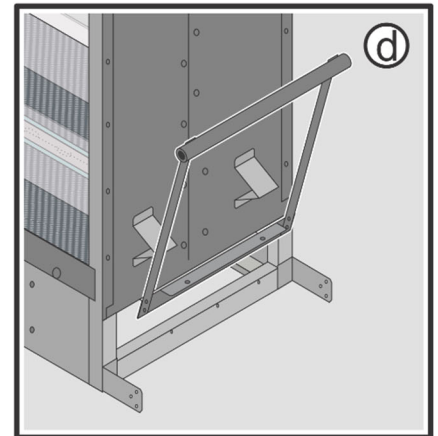
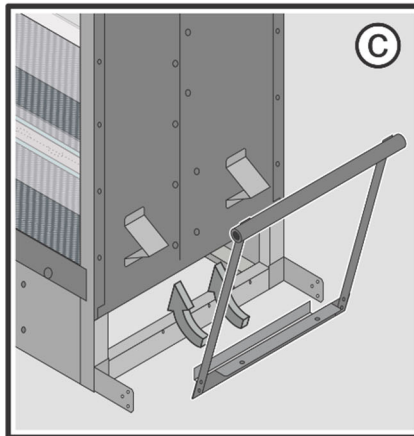
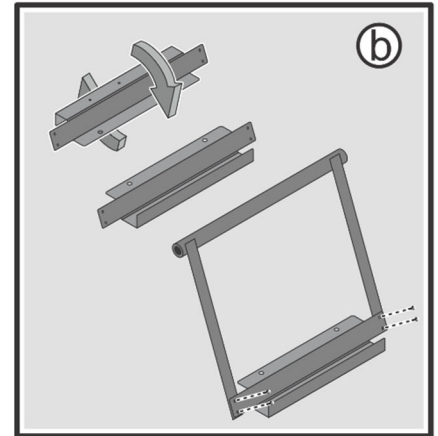
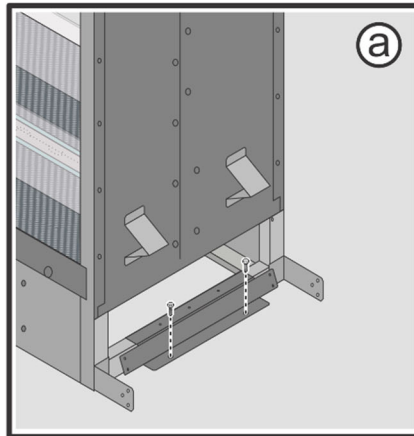
Lifting Handles (optional)

Travis Industries makes an optional lifting handle kit (sku# 98500711) that can be helpful when moving the fireplace during installation (see illustrations to right).

To use the lifting handles:

- (a) Remove the shipping bracket that secures the fireplace to the pallet (you may discard the lag bolts)
- (b) Turn the shipping bracket over. Use the bolts included with the lifting handles to secure the shipping brackets to the lifting handles.
- (c) Hook the lifting handle bracket under the side of the fireplace
- (d) Lift the fireplace into place. Remove the handles and proceed with the installation.

Contact your Fire Garden dealer for pricing and availability of the lifting handle kit.



Additional Items Required

- Gas Line Equipment (pipe, pipe fittings, pipe dope, etc.)
- 24volt transformer – (sku# 94800830)
- Low voltage wire (from the transformer to the appliance)
- High voltage wire (from the house circuit to the transformer)
- Weatherproof enclosure for the wall switch (only needed if the switch is to be installed outdoors).
- Media (Crushed Glass or Tumbled Stones)



WARNING



The use of porous media materials such as lava rock in this appliance may create a hazardous condition. When moisture that has penetrated the small crevices of porous media such as lava rock is heated, the steam produced can cause the material to eject itself from the appliance and could cause injury and/or property damage.

Travis Industries does not recommend or encourage the use of any media in this appliance except that which has been tested and is provided through an authorized Travis Industries dealer.

Travis Industries offers the following Crushed Glass Options:

- Platinum sku# 94500580
- Cobalt sku# 94500582
- Bronze sku# 94500581
- Black sku# 94500583

NOTE: The part numbers above are for 10 lbs. of crushed glass so make sure to order the appropriate number of boxes of the desired part number (see chart below).

Appliance	Amount of Media needed	# of boxes needed
40x24 Fireplace	25 lbs. (11.34.8kg)	3
64x24 Fireplace	40 lbs. (18.14kg)	4

Travis Industries offers the following Stone Option:

- Tumbled Stone - Small sku# 94500985
- Tumbled Stone - Large sku# 94500986

NOTE: The part numbers above provides 10 lbs. of small and 20 lbs. of large Tumbled Stone respectively. Make sure to order the appropriate number of boxes for the appliance (see chart below).

Appliance	Amount of Media needed	# of 94500985 needed	# of 94500986 needed
40x24 Fireplace	50 lbs. (22.68 kg) small & 20 lbs. (9.07 kg) large	5	1
64x24 Fireplace	80 lbs. (36.29 kg) small & 20 lbs. (9.07 kg) large	8	1

Weatherproofing the Fireplace

This appliance is designed to withstand being installed outdoors in the elements; however, the chase or enclosure will need to be designed and constructed to withstand the same. The builder must provide a means for water to escape the chase that is appropriate, and specific to the site of the installation. This may necessitate improving ground drainage, the fabrication of a drain pan, the creation of weep holes in the base of the enclosure, or building a roof over the appliance (covers over the appliance must meet all the requirements detailed in this manual).

NOTE: When designing the installation keep in mind that if the enclosure will be built against an exterior wall of another structure the enclosure should be weatherized in connection to the existing structure to prevent water damage to either the enclosure or the existing structure.

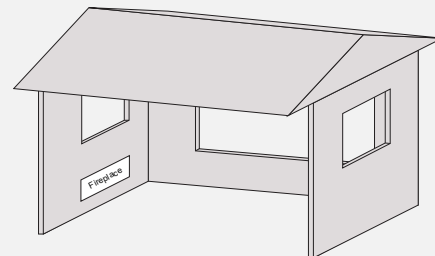
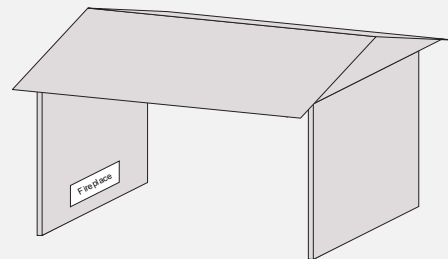
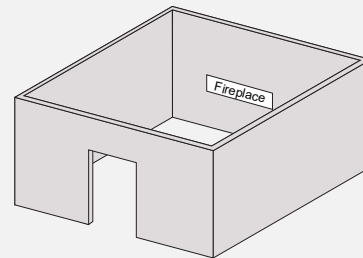
Fireplace Placement Requirements

! For Outdoor Use Only. Install in well-ventilated areas.

**WARNING**

The appliance is considered to be “outdoors” if installed with shelter no more inclusive than:

- Walls on all sides, but with no overhead cover.
- Within a partial enclosure that includes an overhead cover and no more than two sidewalls. The sidewalls may be parallel, as in a breezeway, or at right angles to each other.
- Within a partial enclosure that includes an overhead cover and three sidewalls, as long as 30 percent or more of the horizontal periphery of the enclosure is permanently open.

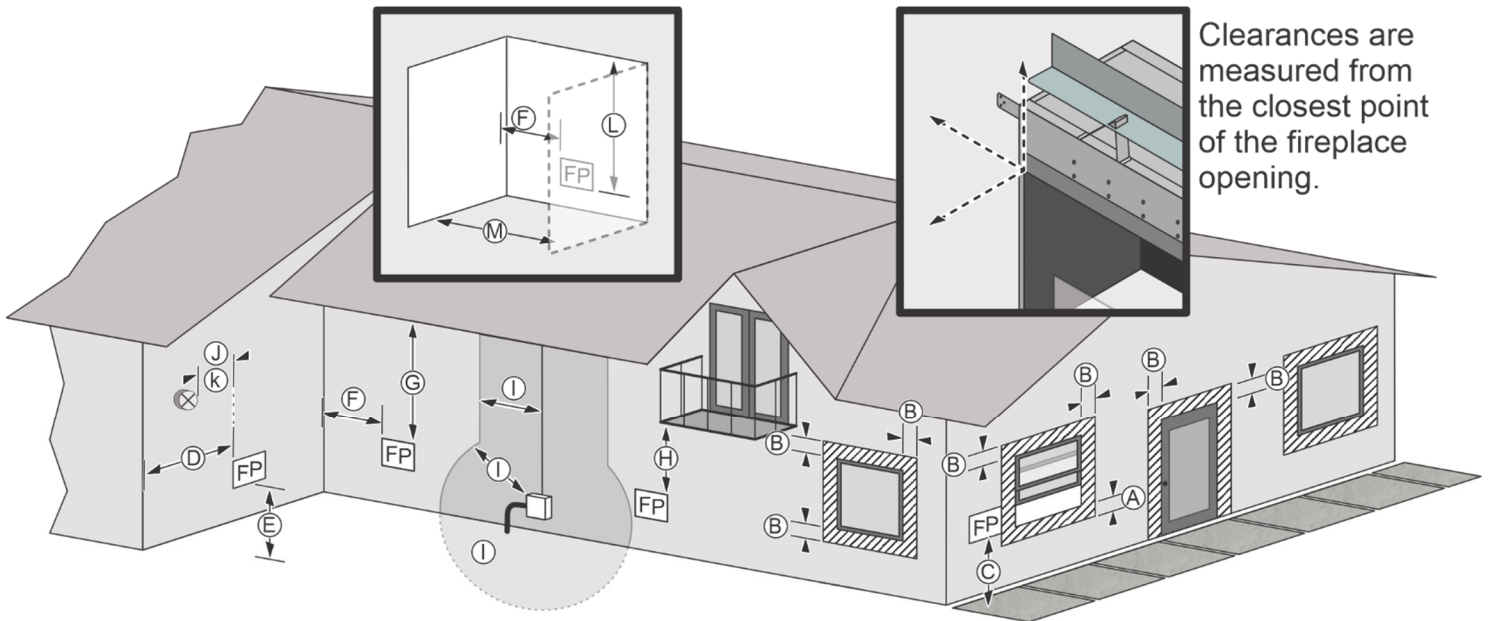


- The fireplace must be installed on a level surface capable of supporting the fireplace.
- The fireplace must be placed directly on wood or non-combustible surface.
- The fireplace should be located out of traffic and away from furniture and draperies.

Do Not Locate the Fireplace:

- In high traffic areas.
- Under or near trees, plants, and buildings where debris may constantly fall into the fireplace. Excessive debris will require high maintenance and/or cause malfunctioning of the fireplace.
- In places where people, children, and pets may contact the fireplace. Guards or fences around the fireplace in these locations are recommended.
- In places where the controls beneath the fireplace may be submerged underwater. Submerging any part of the fireplace controls may require the complete replacement of the controls.

Fireplace Placement Chart

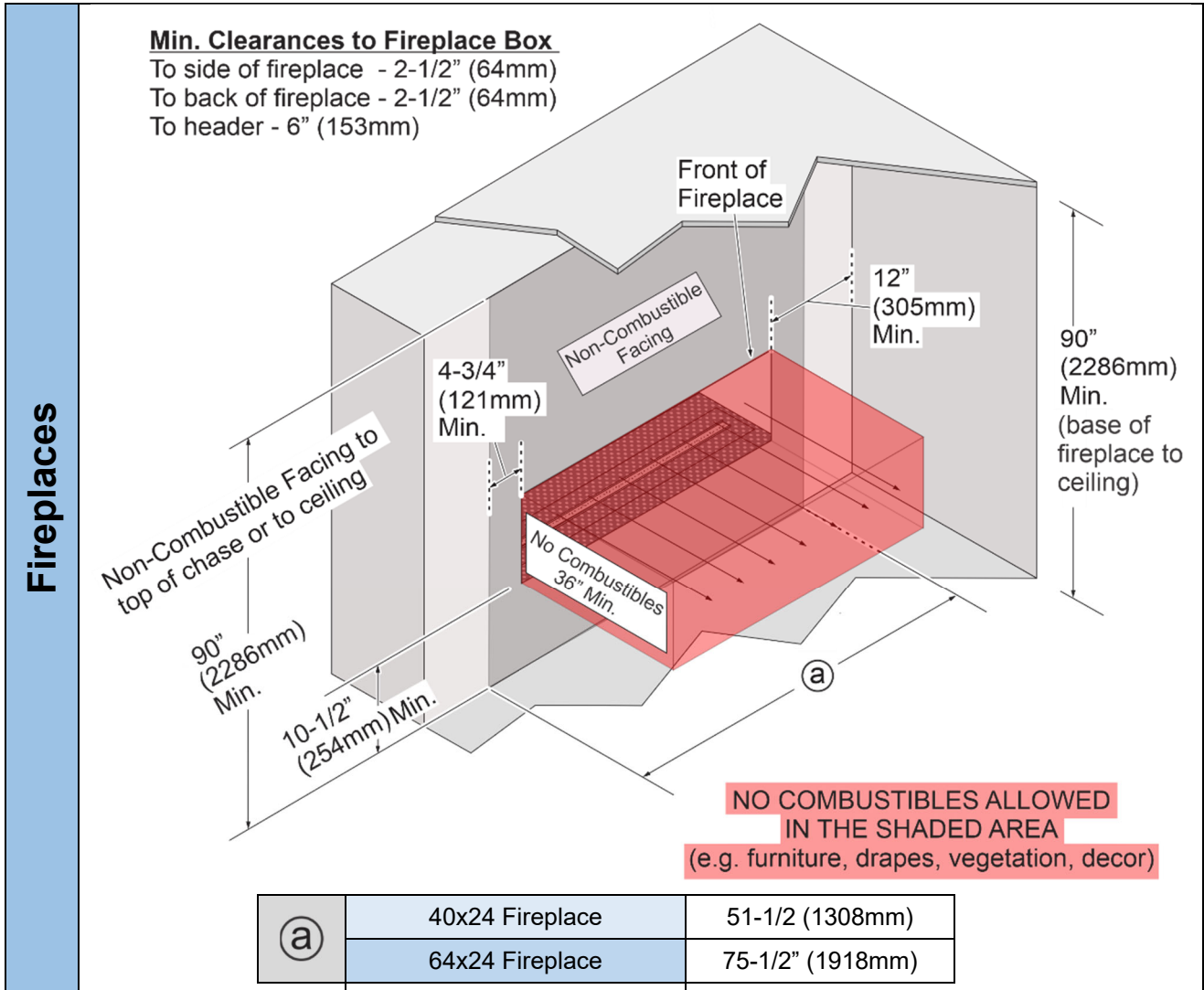


Clearances are measured from the closest point of the fireplace opening.

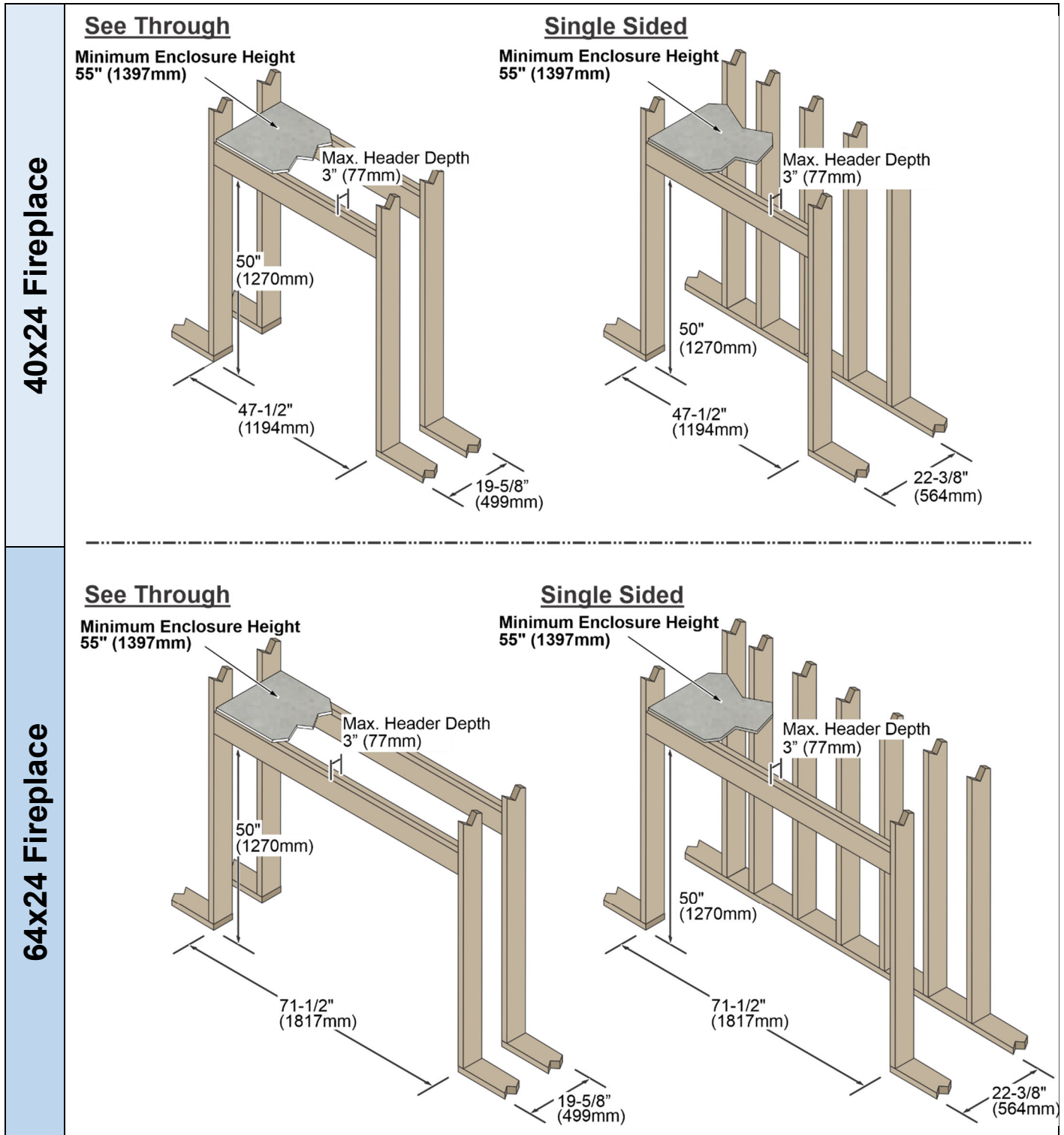
A	clearance below an operable window	72" (1829mm)
B	clearance to the side or above an operable window, door, or inoperable window	12" (305mm)
C	clearance above a paved sidewalk or driveway located on public property	USA - 36" (915mm) CAN - 64" (1626mm)
D	clearance to outside corner	36" (915mm)
E	clearances above grade, veranda, porch, deck, or balcony	10-1/2" (267mm)
F	clearance to inside corner	12" (305mm) vinyl window or siding 48" (1220mm)
G	vertical clearance to unvented soffit or vented soffit located above the fireplace	65" (1651mm) vinyl soffit 72" (1829mm)
H	clearance under veranda, porch, deck, balcony, or overhang	65" (1651mm)
I	clearance to service regulator vent outlet and electric service	USA - 36" (915mm) CAN - 64" (1626mm)
J	clearance to non-mechanical air supply inlet to building or the combustion air inlet to any other appliance	USA - 9" (229mm) CAN - 12" (305mm)
K	clearance to a mechanical air supply inlet.	USA - 36" (915mm) CAN - 64" (1626mm)
L	minimum alcove height	90" (2286mm)
M	minimum width of alcove	90" (2286mm)

NOTE: All clearances are measured from the closest point of the fireplace opening.

Clearances

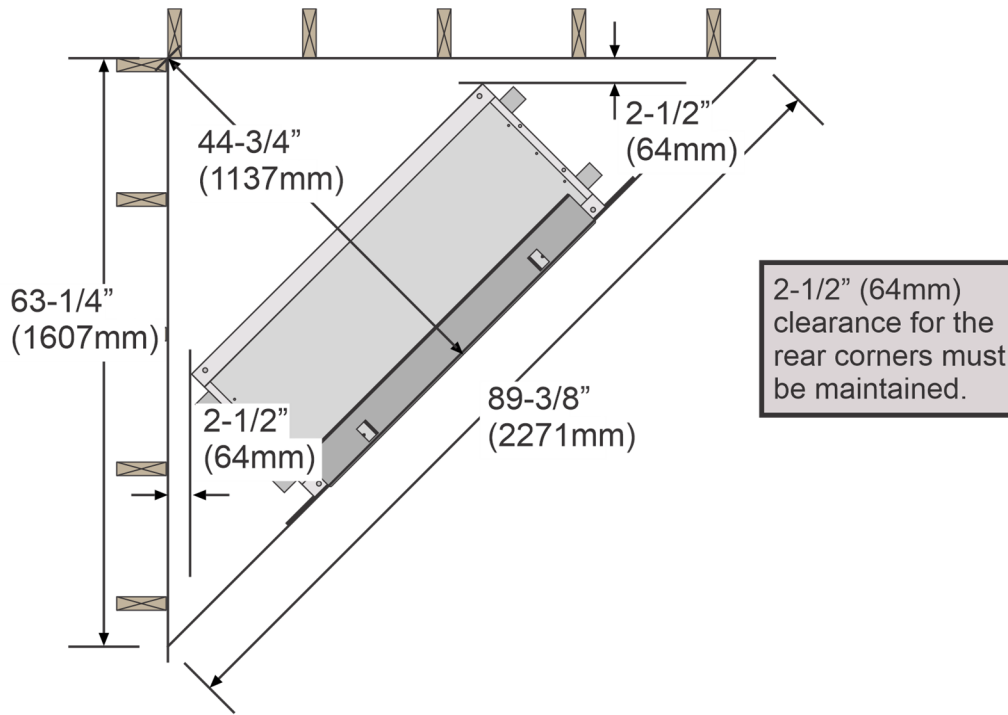


Minimum Framing Dimensions- Fireplaces

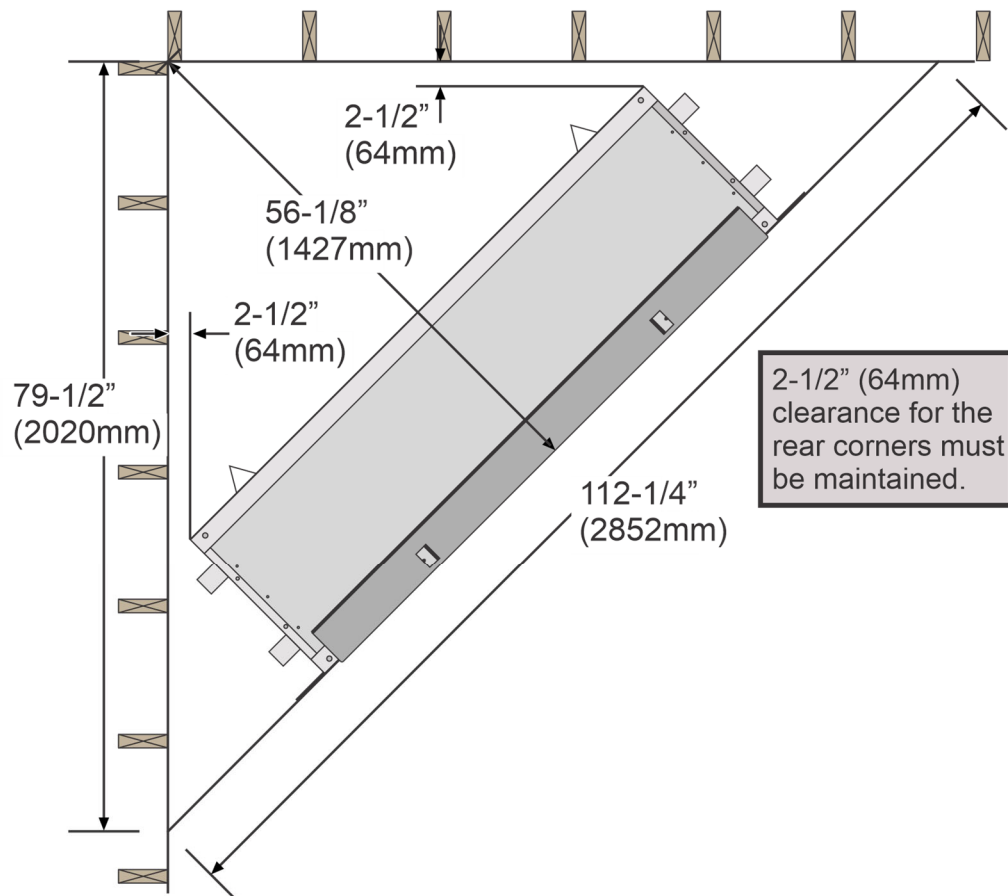


Corner Framing (Fireplaces)

40x24 Fireplace



64x24 Fireplace



Enclosure Ventilation Requirements

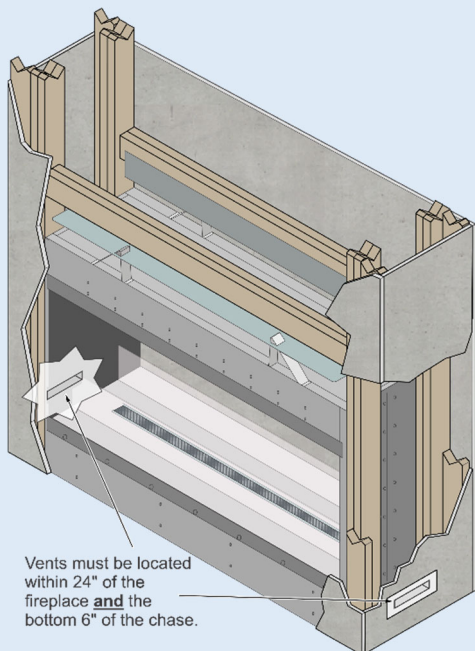
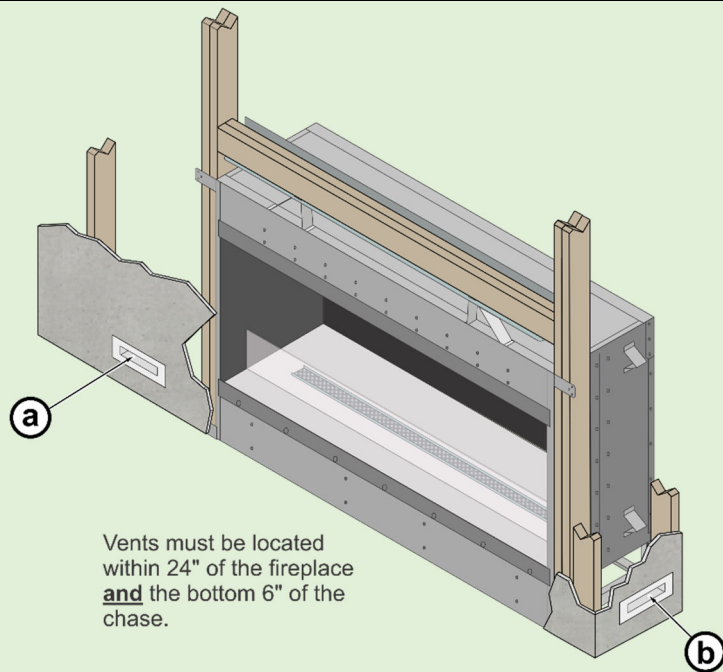
The chase (fireplace enclosure) must be ventilated to provide proper fireplace cooling (see illustration below for details). (2) Grills are included for this purpose.

! WARNING !

The chase must be ventilated in accordance with the requirements listed below to allow for proper fireplace cooling. Failure to do this will create a severe fire risk. The ventilation grills must be installed within 24" of the appliance and within the bottom 6" of the chase.

Enclosure Ventilation Overview

- Single-sided unit chase may be ventilated from the front or rear (a), or the sides (b) the fireplace. Each vent must provide a minimum of **24 square inches** of free area.



- See-through unit chase must be vented on each end within 6" from the bottom of the chase (see left). Each vent must provide a minimum of **24 square inches** of free area.

Enclosure Ventilation Grills

- Use grills to ventilate the enclosure. The grills must provide 24 square inches of free area opening (12 square inches each) into the enclosure cavity. The grills must be located within 24" of the appliance.
- The grills must be attached directly to the chase or enclosure cavity.
- The grills must have 1/4" screen to prevent debris, etc. from entering the enclosure.
- The grills should not be placed in a location where they could become blocked.
- The ventilation air for the enclosure MUST be drawn from outdoor air only.
- Facing may be applied over the flange of the grills but cannot protrude over the screened opening.
- The grills may be painted.
- The grills must be located within 24" of the appliance.
- The grills must be located within the bottom 6" of the chase.

Example: If (w) = 4" and (h) = 2"

4" x 2" = 8 square inches
8" < 12" (the minimum)



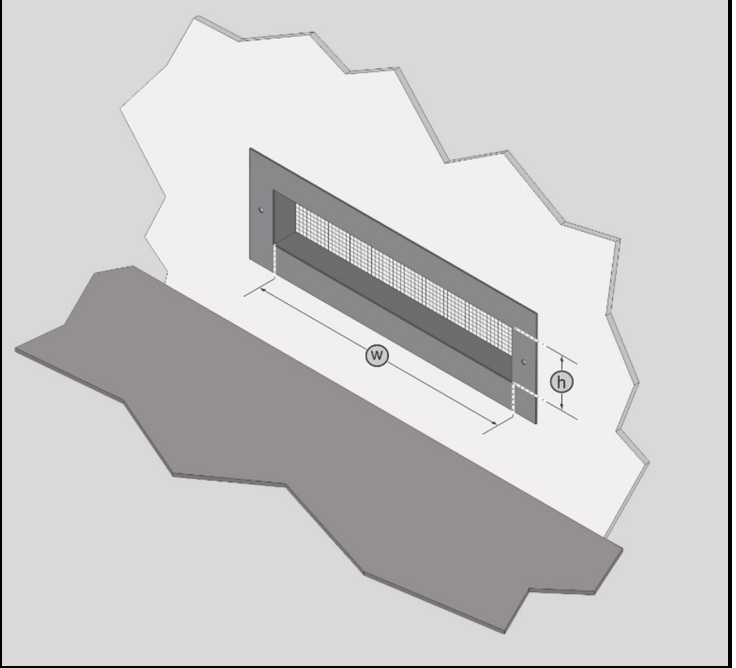
NOT LARGE ENOUGH

Example: If (w) = 12" and (h) = 2"

6" x 2" = 12 square inches
12" > 12" (the minimum)

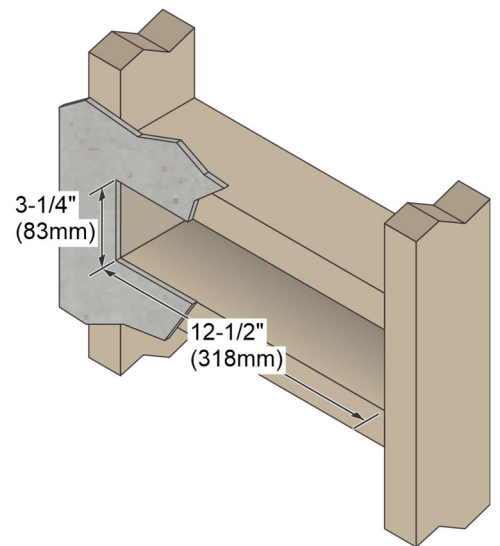
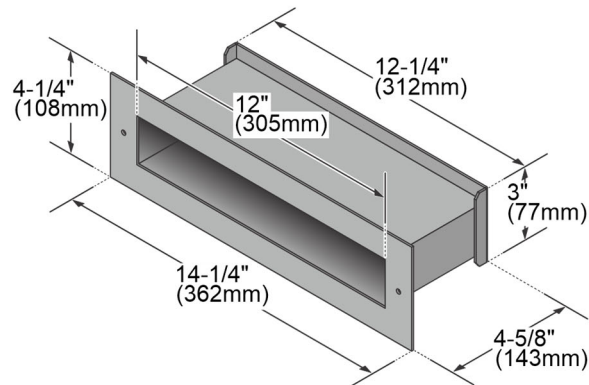


LARGE ENOUGH

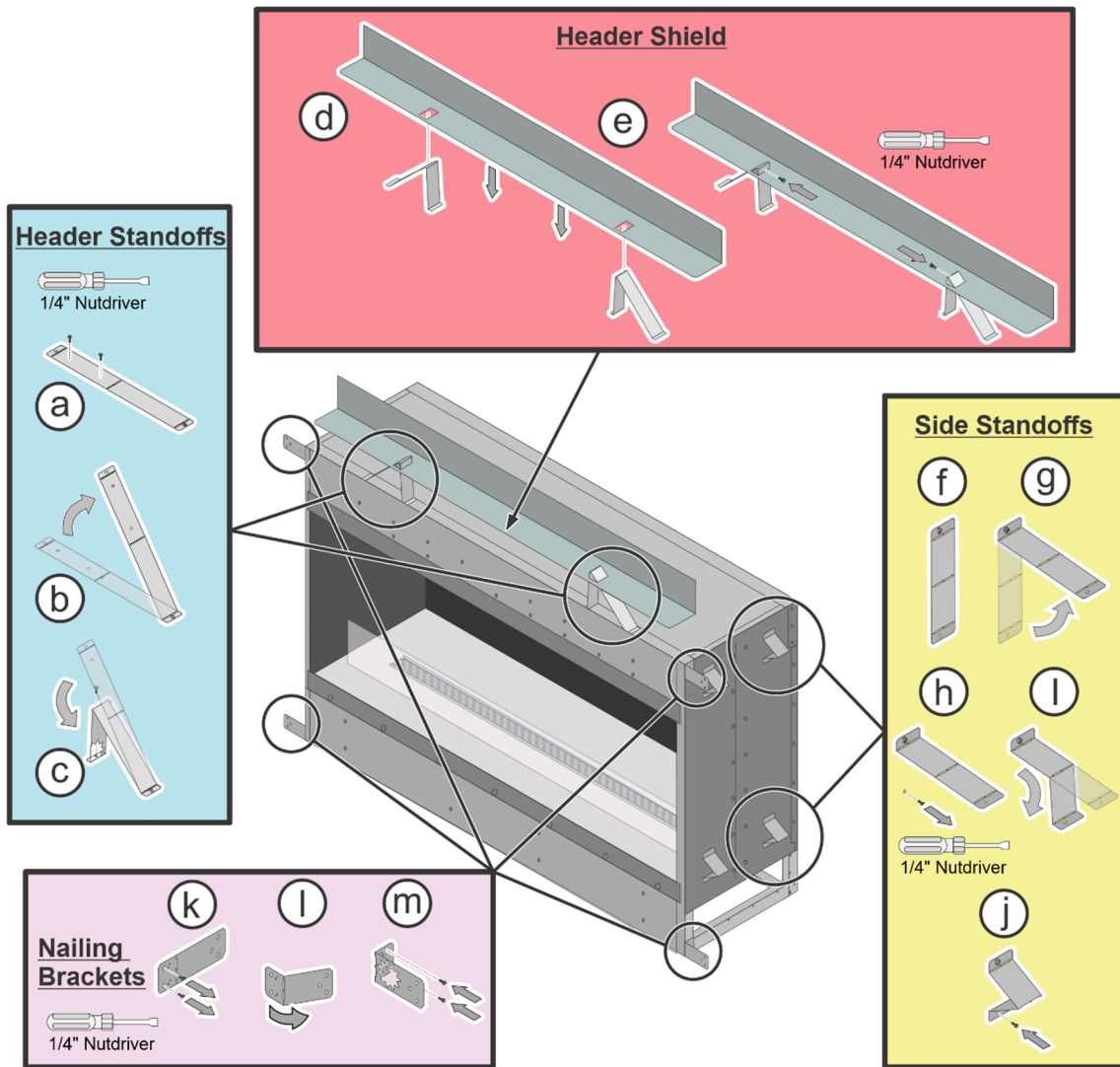


Supplied Ventilation Grill Dimensions & Framing

There are (2) ventilation grills supplied with the appliance. If using the supplied ventilation grills, see the framing dimensions to the right.



Fireplace Preparation



<p>(a) Use a 1/4" nut driver to remove the (2) screws shown in the diagram above. NOTE: Both screws are used in later steps.</p>	<p>(f) Locate the flat side standoffs on either end of the appliance.</p>
<p>(b) Bend the standoff upward</p>	<p>(g) Bend the standoff upward to gain access to a screw located underneath it.</p>
<p>(c) Bend the standoff at the middle perforation as shown in the diagram and use (1) of the screws removed in step (a) to secure the center, loose end of the standoff to the top of the fireplace. Repeat steps (a) through (c) for the other header standoff(s).</p>	<p>(h) Use a 1/4" nut driver to remove the screw</p>
	<p>(i) Bend the standoff at the perforations to form a triangle shape as shown in the diagram.</p>
	<p>(j) Secure the lower portion of the standoff to the fireplace using the screw removed in step (h).</p>
<p>(d) Set the header shield onto the standoffs as shown in the diagram.</p>	<p>(k) Use a 1/4" nut driver to remove the flat nailing flange from the side of the fireplace. NOTE: set the screws aside for reinstallation.</p>
<p>(e) Secure the shield(s) to the standoffs using the extra screws removed in step (a)</p>	<p>(l) Bend the standoff 90° at the perforations.</p>
	<p>(m) Use the (2) screws removed in step (k) to secure the nailing flange to the side of the fireplace. Repeat steps (k) through (m) for the other nailing flanges.</p>

Gas Line Requirements

MASSACHUSETTS INSTALLATIONS - WARNING:

THIS PRODUCT MUST BE INSTALLED BY A LICENSED PLUMBER OR GAS FITTER WHEN INSTALLED WITHIN THE COMMONWEALTH OF MASSACHUSETTS.

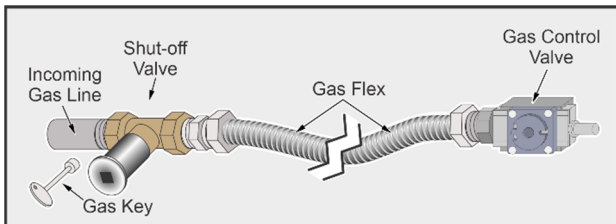
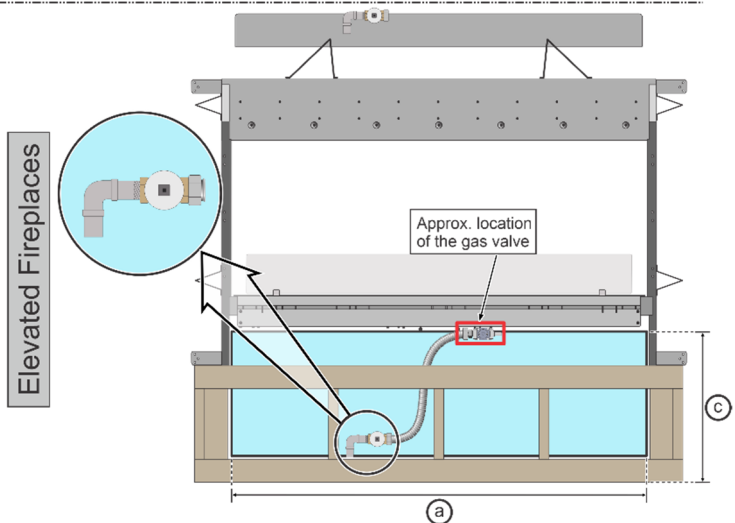
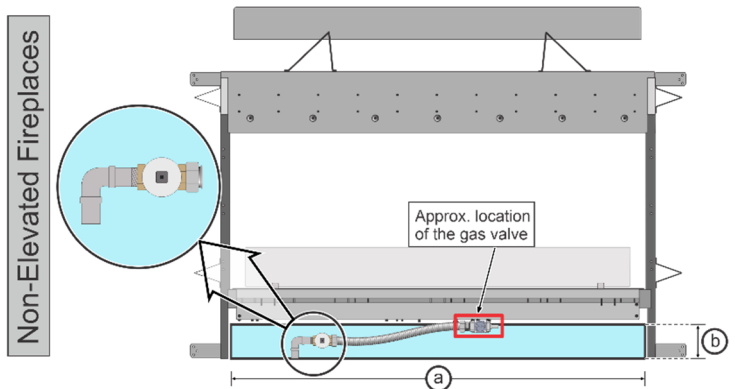
OTHER MASSACHUSETTS CODE REQUIREMENTS:

- Flexible connector must not be longer than 36 inches.
- Shutoff must be a "T" handle gas cock.
- Only direct vent sealed combustion products are approved for bedrooms or bathrooms.
- Fireplace dampers must be removed or welded in the open position prior to the installation of a fireplace insert or gas log.
- A carbon monoxide (CO) detector is required in the same room as the appliance.

- ! The gas line must be installed in accordance with all local codes or, in the absence of local codes, with the National Fuel Gas Code, ANSI Z223.1/NFPA 54, International Fuel Gas Code, Natural Gas, and Propane Installation Code, CSA B149.1, or Propane Storage and Handling Code, B149.2, as applicable. Consult your local gas supplier or propane gas dealer for code regulations and recommended procedures.
- ! The fireplace and gas control module must be disconnected from the gas supply piping during any pressure testing of that system at test pressures in excess of 1/2 psig. For pressures less than 1/2 psig, isolate the gas supply piping by closing the manual shut-off valve.
- ! Leak test all gas line joints and the gas control valve prior to and after starting the fireplace.

Gas Line Connection

- Installation must be performed by a qualified installer, service agency, or the gas supplier (In Massachusetts a licensed plumber/gasfitter).
- An accessible manual gas shutoff valve is required on the gas supply to the fireplace and must be installed upstream of the fireplace gas valve. A shut-off valve is included with the fireplace. Check with the local authority having jurisdiction for any additional requirements.
- The supply regulator (the regulator that attaches directly to the residence inlet or the propane tank) should supply gas at the required input pressure detailed in the section "LP Conversion and Turndown Conversion" on page 5. Contact the local gas supplier if the regulator is at an improper pressure.
- The gas can be stubbed into the area under the appliance indicated by the shaded boxes (see diagrams to the right).
- The appliance comes with a 34" flex.
- Connect the incoming gas line to the flex (the flex accepts 3/4" MPT)



	40x24 Fireplace	64x24 Fireplace
a	39-1/4" (997mm)	63-1/4" (1607mm)
b	5-1/2" (140mm)	5-1/2" (140mm)
c	5-1/2" (140mm) + Depth of framing	5-1/2" (140mm) + Depth of framing

LP Conversion and Turndown Conversion

The appliance is configured for NG gas from the factory but comes with a kit to convert the unit from natural gas to propane.

The LP conversion kit contains:

	Qty.	Size
40x24 Fireplaces	(1)	#41
64x24 Fireplaces	(2)	#43

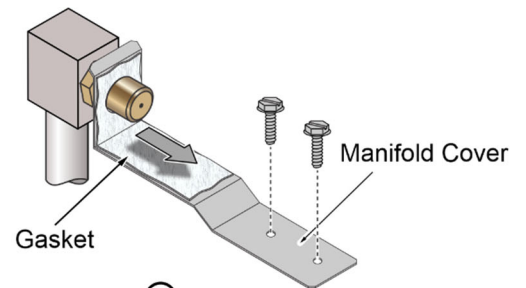
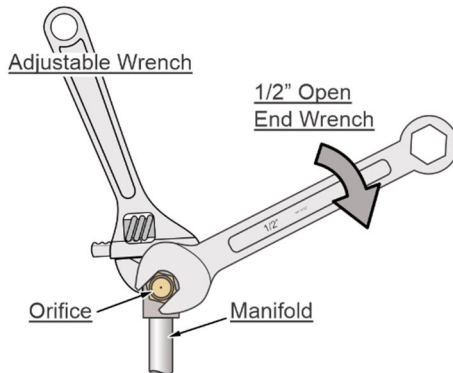
⚠ WARNING ⚠

This conversion kit shall be installed by a qualified service agency in accordance with the manufacturer's instructions and all applicable codes and requirements of the authority having jurisdiction. If the information in these instructions is not followed exactly, a fire, explosion, or production of carbon monoxide may result causing property damage, personal injury, or loss of life. The qualified service agency is responsible for the proper installation of this kit. The installation is not proper and complete until the operation of the converted appliance is checked as specified in the manufacturer's instructions supplied with the kit.

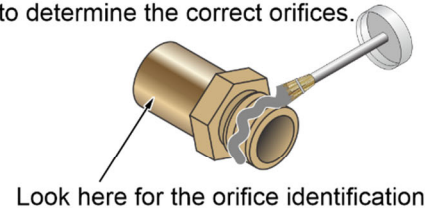
- Remove the glass wind guard(s) and glass media (if already installed) from the firebox.
- Remove the media trays (see "Removing the Media Trays" section on page 38)
- Convert the appliance using the instructions to the right.

a Remove the manifold cover(s) that are around the burner orifice(s).

b Use an adjustable wrench to support the manifold while removing each orifice with a 1/2" wrench.

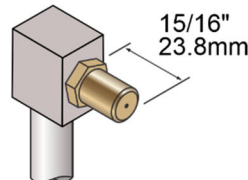


c Apply thread sealant to the LP orifices prior to installation. Use the chart in the "Gas Specifications" section to determine the correct orifices.



Look here for the orifice identification

d Screw each LP orifice until orifice protrudes 15/16" (23.8mm) indicating full insertion (use wrench to support manifold when re-attaching orifice).



e Reference the chart below to determine if the manifold cover should be reinstalled

	NG	LP
40x24 Fireplace	✓	✗
64x24 Fireplace	✓	✗

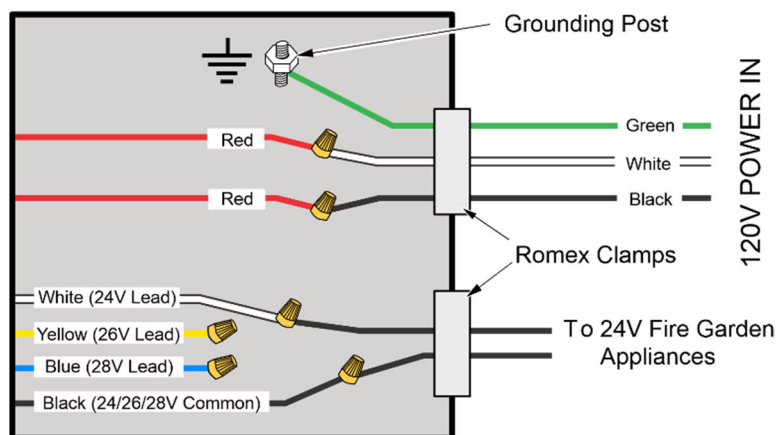
Electrical Connection Requirements

- ! The appliance, when installed, must be electrically grounded in accordance with local codes, or in the absence of local codes with the National Electrical Code, ANSI/NFPA 70; or the Canadian Electrical Code, CSA C22.1
- ! The electrical line must be installed by a qualified installer and must meet all local codes. Consult your local building official for code regulations and recommended procedures.
- ! The 24VAC transformer may require a circuit protected by a GFCI (see local building codes).
- ! Use a transformer to convert 120VAC power to 24VAC power for the appliance. Supply the transformer with 120VAC at approximately 0.9 amps - make sure the circuit and wiring is appropriately sized. The power supply must be routed through a switch to turn the appliance on and off (see pg. 46). Multiple Travis Industries, Inc. 24-volt appliances may be placed on a single circuit. Each appliance uses 24VAC at approximately 1.6 amps - Make sure the circuit and wiring is appropriately sized (see diagrams starting on pg. 23.). If multiple appliances are powered through a single switch the control modules for each of the individual appliances may be daisy-chained together.

24VAC Transformer

- This appliance must be used with a 24VAC switched circuit. The transformer is sold separately.
- Travis Industries offers the following transformer:
-- sku# 94800830 (120v input only with 24v, 26v, and 28v output leads). See the instruction sheet included with the transformer for details.

Transformer Junction Box



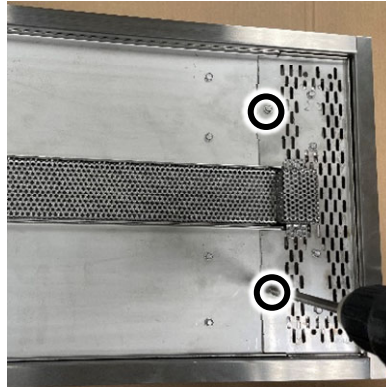
See the overview to the right. Consult the instruction sheet that comes with the transformer for details.

NOTE: In this example the 24V Lead is used.

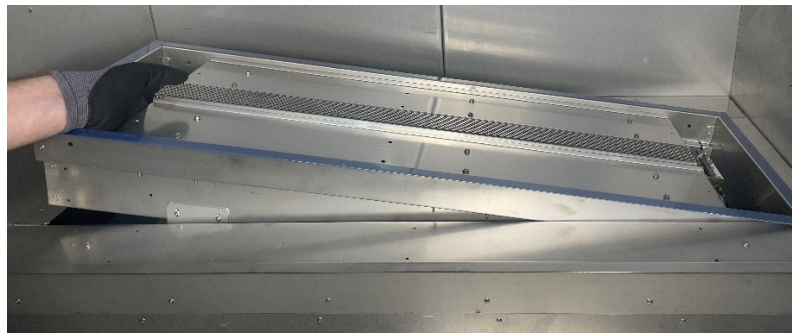
WARNING: Make sure to put wirenuts on un-used power leads (in this example the 26V and 28V Leads)

Wiring Installation

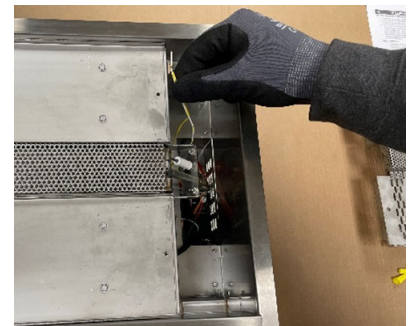
- Remove the (2) ¼" screws that secure the media tray ends to the media tray sides (set aside for reinstallation). Remove the media tray end with the pilot cover attached.



- With the end sections of the media tray removed you grasp the remaining sections of the media tray and lift the burner assembly upward to remove it from the firebox.



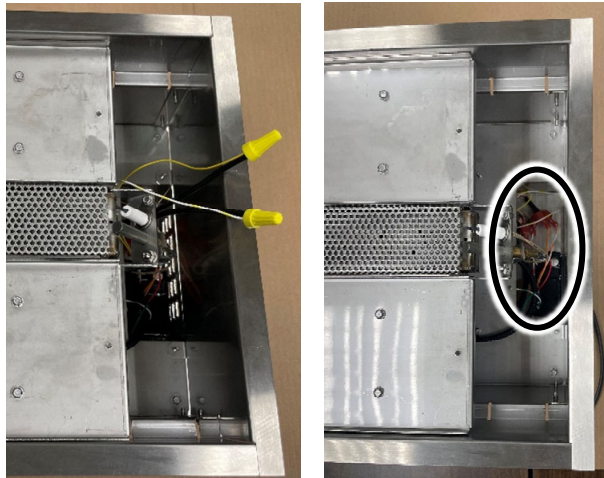
- Reach into the electrical box below the pilot assembly and retrieve the free ends of the yellow and yellow/white striped wires from the control module.



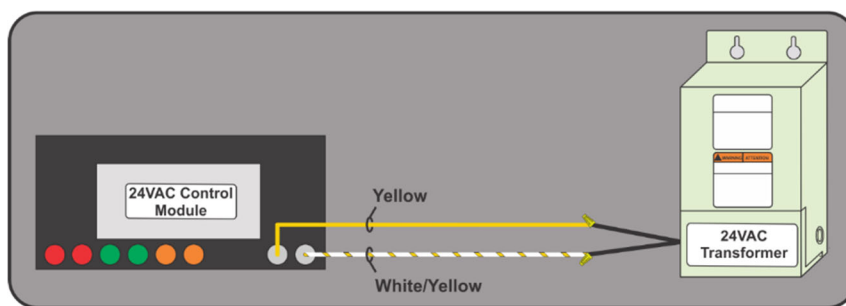
- Route the wires from the 24VAC transformer through the strain relief at the bottom of the electrical box (below the pilot). Use listed low voltage wiring. Make sure to provide slack in the electrical line for removal and service.



- Use wire nuts to connect the wires from the 24VAC transformer to the yellow and the yellow/white striped wires on the control module (polarity does not matter for this connection). When the connections are secure, coil the wires and push them back into the electrical box.



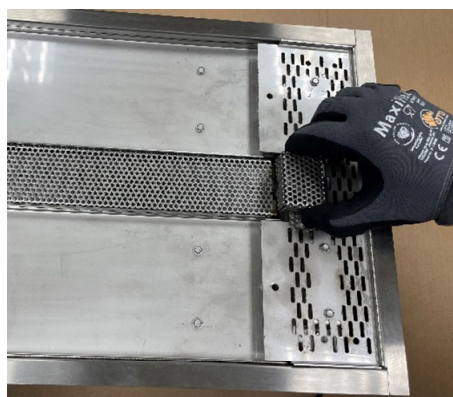
NOTE: We recommend outdoor-suitable connectors (silicone-filled wire connectors, dielectric grease, etc.) on the power-in connections to the control module to prevent corrosion.



- Reinstall the burner assembly into the fireplace.



- Reinstall the media tray cover and pilot shield and secure them to the appliance with the two screws removed in the first step.



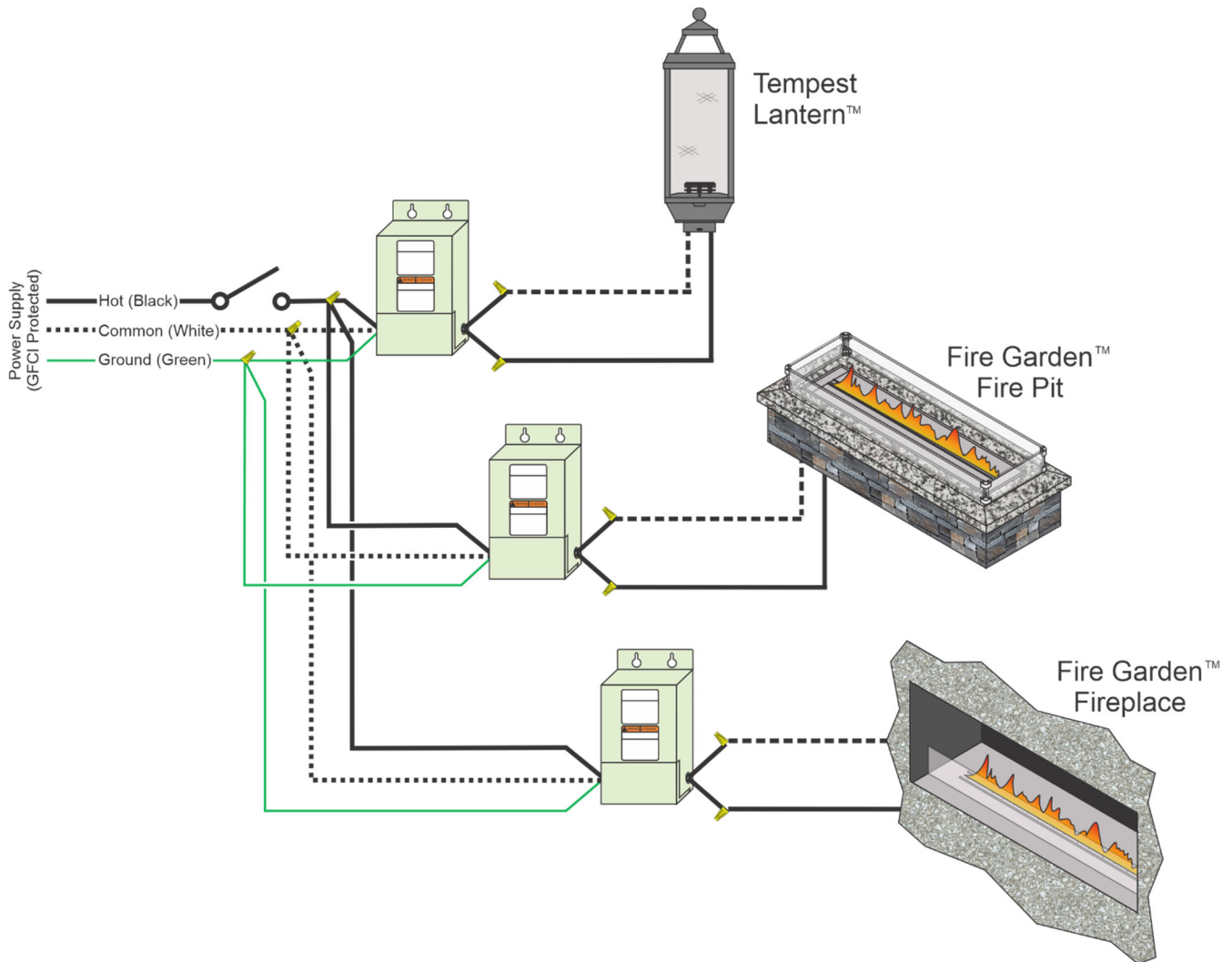
- The appliance uses approximately 40 watts during startup (1.6 amps at 24 VAC). Make sure the circuit and wires are sized appropriately. The appliance requires a minimum of 22 VAC to operate (if the voltage drops below this, the appliance may not start).

Using More than One 24-volt Appliance

Travis Industries, Inc. manufactures additional 24-volt appliances that can add to the ambiance of your outdoor space (Tempest Torch™, Tempest Lantern™. Visit tempesttorch.com for more details). If using more than one appliance, make sure to think about how the appliances will be used and if they need to be able to be controlled separately or if it would be more convenient to control them all using one switch. The following pages show examples of multi-appliance installation options using one switch and powering more than one appliance using the same transformer. If you are planning an installation using two or more appliances, be sure to pay close attention to the wiring sizing detailed in this section.

Wiring Multiple Transformers to One Switch

- Multiple 24VAC transformers may be wired to a single switch (see diagram below).



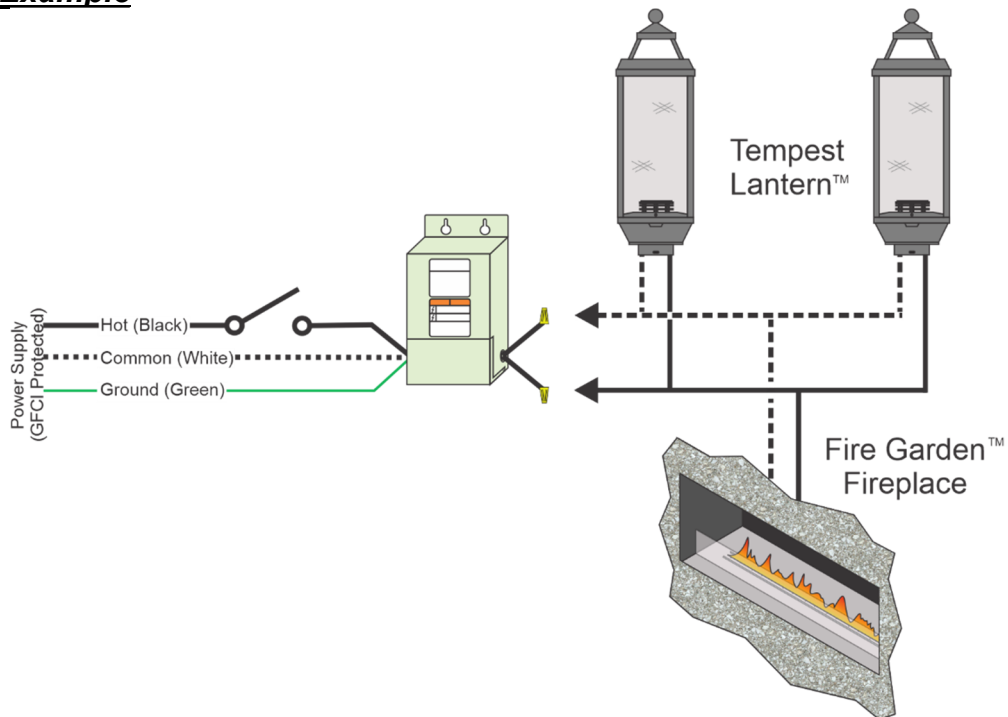
Wiring Multiple Appliances to One Transformer

The manner in which you wire the appliances to the transformer affects the maximum length of wire and wire gauge. Make sure to determine the wire configuration before installation. NOTE: You may use both direct-run and daisy-chain configurations.

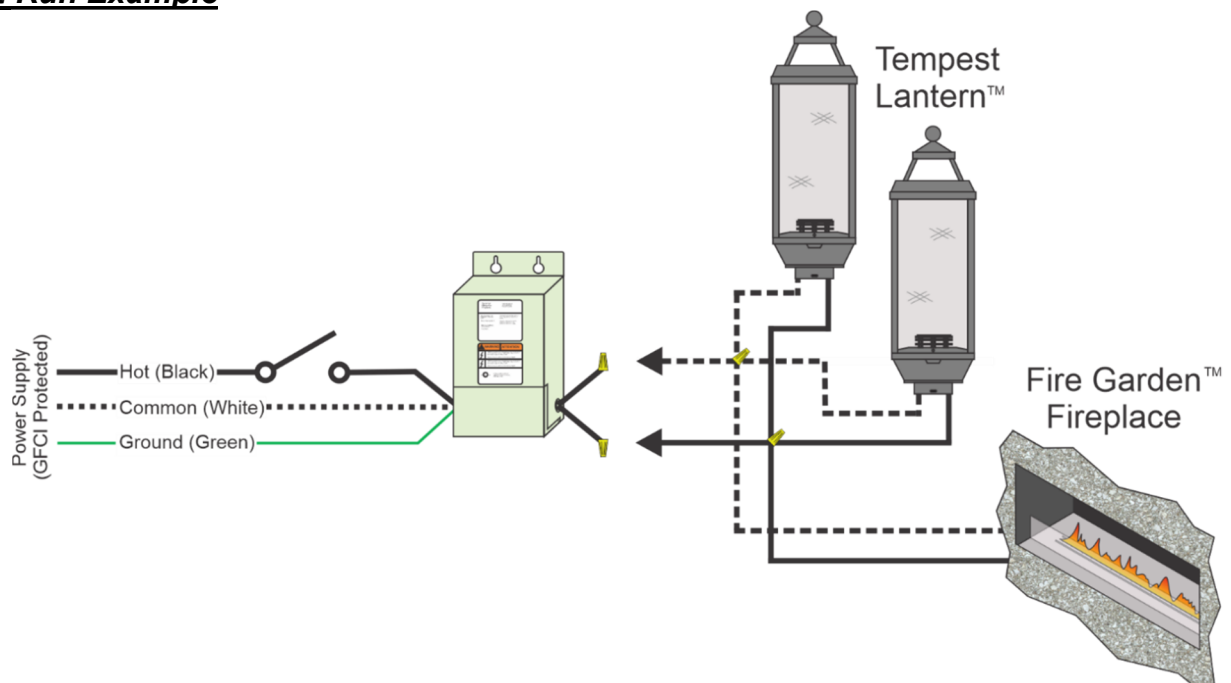


**Polarity must be maintained in all multiple appliance installations.
Failure to maintain polarity will result in damage to the control module.**

Daisy-Chain Example



Direct-Run Example

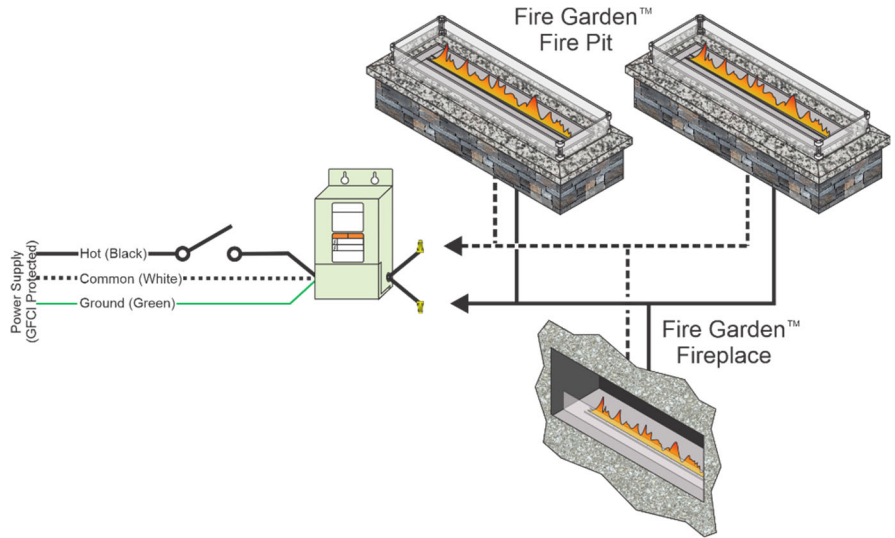


Daisy-Chain Wire Length Chart

This type of wire configuration allows for multiple Travis Industries 24-volt products to be wired in a series, reducing the amount of wire used. Use the charts below to determine the correct wire gauge and length. In the example below, the transformer has 2 fire pits and a fireplace on one branch.

How to Calculate Wire Length:

Add together all the wire length(s) used for the entire installation. If you have one 80' length and three 20' lengths, your wire length would be 140'.



24 Volt Lead

Wire		# of appliances on branch				
		2	3	4	5	6
14 GA	min	0'	0'	0'	0'	0'
	max	113'	71'	49'	37'	28'
12 GA	min	0'	0'	0'	0'	0'
	max	173'	108'	75'	55'	43'
10 GA	min	0'	0'	0'	0'	0'
	max	266'	165'	115'	85'	65'

26 Volt Lead*

Wire		# of appliances on branch				
		2	3	4	5	6
14 GA	min	27'	10'	1'	0'	0'
	max	184'	118'	85'	65'	51'
12 GA	min	41'	16'	2'	0'	0'
	max	281'	179'	129'	99'	79'
10 GA	min	63'	23'	3'	0'	0'
	max	432'	276'	198'	151'	121'

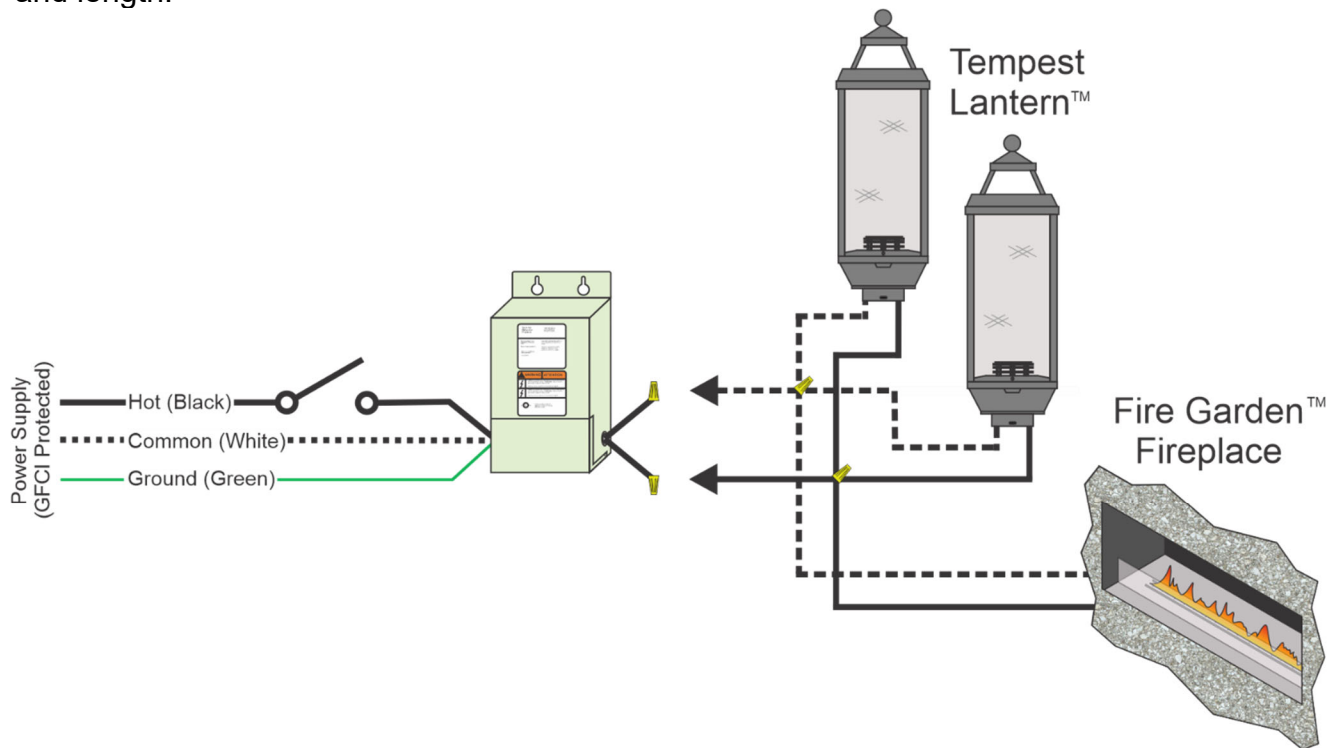
28 Volt Lead*

Wire		# of appliances on branch				
		2	3	4	5	6
14 GA	min	104'	62'	40'	27'	19'
	max	242'	157'	113'	88'	71'
12 GA	min	160'	94'	61'	41'	28'
	max	369'	238'	173'	134'	108'
10 GA	min	245'	144'	93'	63'	43'
	max	566'	366'	266'	206'	165'

* Not available on some transformers.

Direct-Run Wire Length Chart

This type of wire configuration allows for long distances between the transformer and the appliances (see illustration below). Use the charts below to determine the correct wire gauge and length.



24 Volt Lead

Wire		
14 GA	min	0'
	max	242'
12 GA	min	0'
	max	369'
10 GA	min	0'
	max	566'

26 Volt Lead*

Wire		
14 GA	min	79'
	max	384'
12 GA	min	120'
	max	584'
10 GA	min	184'
	max	897'

28 Volt Lead*

Wire		
14 GA	min	234'
	max	499'
12 GA	min	356'
	max	760'
10 GA	min	548'
	max	1168'

* Not available on some transformers.

Wiring Examples:

Daisy-Chain Installations:

- When using 3 appliances on one branch, 14 ga wire, and 150' of wire, use the 28V Lead.
- When using 4 appliances on one branch, 10 ga wire, and 100' of wire, use the 24V Lead.

Direct Run Installations:

- When using an appliance on a 200' run, 14 ga wire, use the 24V Lead.
- When using 6 appliances, each on a 200' run, 14 ga wire, use the 24V Lead.

How to Determine Wire Gauge: When purchasing your wire, it should include a wire gauge (the larger the number, the smaller the diameter wire). The wire will also be printed with a gauge number (e.g. AWG#14 = 14 gauge, 10AWG = 10 gauge, etc.). Do not use wires of dissimilar gauges (do not use 14 gauge & 10 gauge wire on the same transformer).

Facing Requirements

- Non-combustible facing must extend from the base of the fireplace to the ceiling or top of the chase. See the illustration below for details.
- Non-combustible facing must extend the entire width of the unit to the framing opening on both sides.
- Do not place facing over the fireplace opening.
- Drywall (or other combustible) may be placed to the side of the framed opening and below the base of the fireplace (see illustration below)

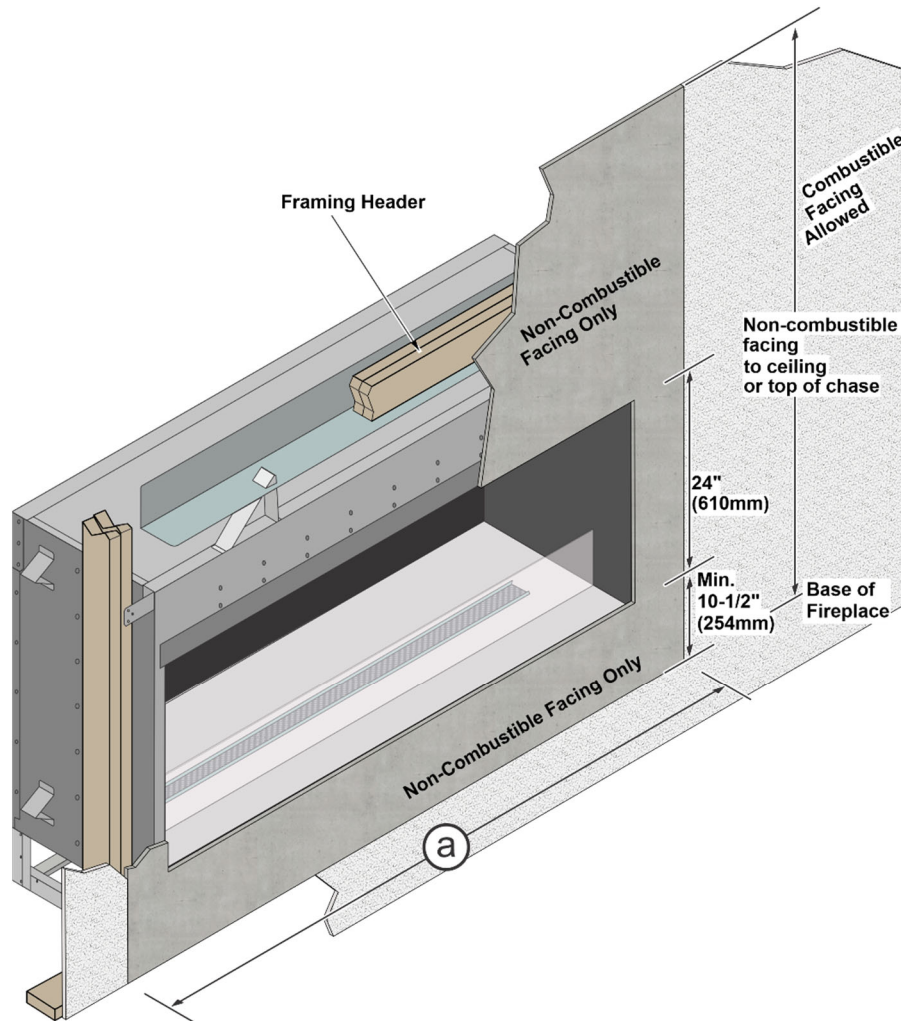
WARNING: Do not place drywall or other combustibles over the front of the fireplace.



WARNING: Do not use adhesive, “modified thinset”, or any product with a polymer additive to secure facing directly to the fireplace or the walls near the fireplace. The high temperatures near the appliance will cause adhesives to emit odors. Use thinset (also called thinset mortar, thinset cement, dryset mortar, or drybond mortar) to attach the facing.

Thinset Defined: An adhesive mortar made of cement, fine sand, and a water-retaining agent such as an alkyl derivative of cellulose.

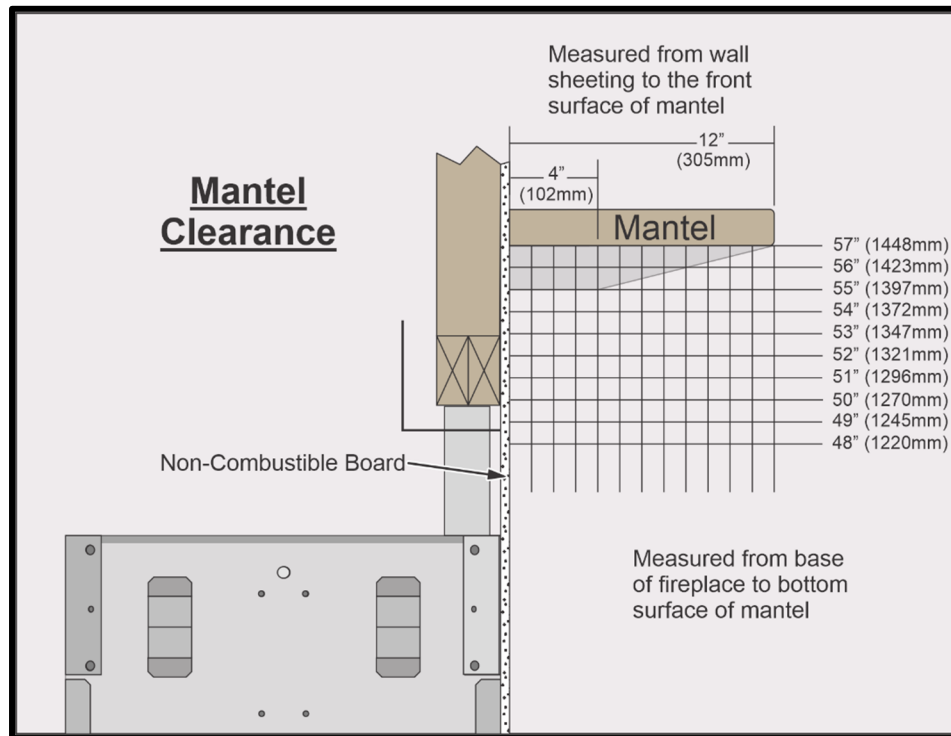
NOTE: Screws may be used to secure cement board or tile backer to the fireplace. Do not penetrate the fireplace more than 1/2” (13mm).



(a)	40x24 Fireplaces	51-1/2 (1308mm)
	64x24 Fireplaces	75-1/2 (1918mm)

Mantel Requirements

- Use the table below to determine the maximum mantel depth allowed. The mantel depth (measured from the non-combustible facing) must fall within the shaded portion of the table.
- Any combustible material above the fireplace that protrudes more than 3/4" (19mm) from the non-combustible facing is considered a mantel and must meet the mantel requirements.
- Non-combustible mantels do not have a minimum clearance.



Mantel Column Clearances

- Combustible mantel columns (legs) that protrude more than 3/4" (19mm) from the front of the fireplace require a 12" (305mm) clearance to the side of the fireplace.
- Combustible mantel columns (legs) that protrude 3/4" (19mm) or less from the fireplace opening must meet the facing clearances (minimum 4-3/4" (121mm) from the side of the fireplace).
- Non-combustible mantel columns do not have a minimum clearance.

Steps for Finalizing the Installation

1. If using propane (LP) gas, convert the appliance (prior to installing the crushed glass).
2. We recommend you purge the gas line at this time.
3. Leak test all gas joints.
4. Install the burner (if removed for converting to LP gas).
5. Install the crushed glass, Lava Rock, or Tumbled Stone media.
6. Test burn the appliance.
7. Install the Black Glass Firebacks.
8. Install the glass wind guard(s)

Fireback Installation

GLASS FIREBACK WARNINGS

HANDLING THE FIREBACKS: The glass firebacks are fragile – especially the edges. Take care to prevent contacting/scraping the glass against metal or rough surfaces. You may wish to lay out a blanket during installation in case you need to set the firebacks down.

We recommend the use of gloves and safety glasses during the installation of the glass firebacks.

CLEANING

These firebacks require periodic cleaning. Do not use ammonia-based cleaners (this may cloud the glass). We recommend ammonia-free glass cleaner (i.e., vinegar and water) to clean the fireback.



- Install the firebacks after the fireplace is in position.
- Install the firebacks before installing the glass wind guard and glass media.



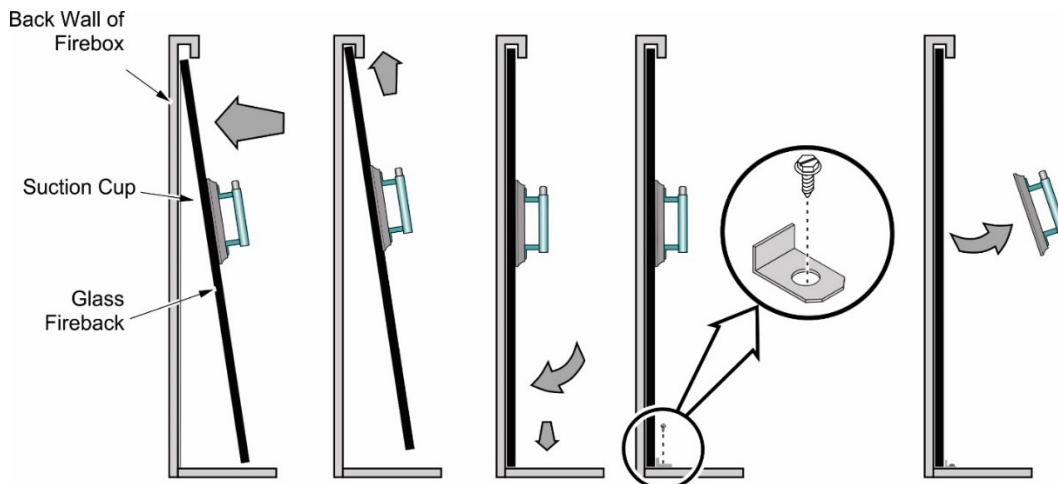
- See-Through installations use only (2) side firebacks.
- Single-sided installations use (2) side firebacks and (3) rear firebacks.

Installation

WARNING Turn off the gas to the appliance and make sure it has fully cooled prior to conducting service.

Install the included Black Glass Firebacks by following the instructions below.

- Remove the (2) end media trays (see section “Removing the Media Trays” on page 38).
NOTE: You only need to remove the (2) end media trays, not the longer front and back media trays.
- To install, lift the fireback section into place using suction cups (available from your Fire Garden Dealer – sku# 94400914). See the illustration below for instructions on sliding it into place. The painted surface of the glass scratches easily and must be placed away from the fire.

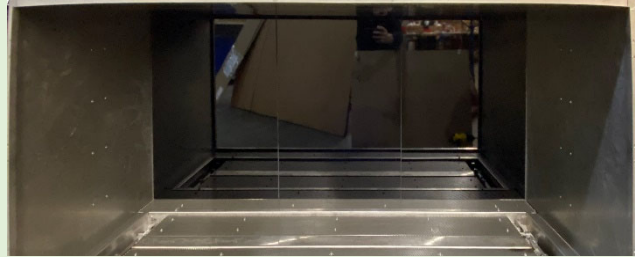


30 Finalizing the Installation (qualified installers only)

- Install the left and right rear fireback sections first (single-sided only).



- Next, place the center rear fireback (single-sided only).



- Finally, install the left and right side firebacks (single-sided & see-through).



- Reinstall the end media trays

Left Side



Right Side



- Locate the fireback clips and self-tapping screws in the stove pack.

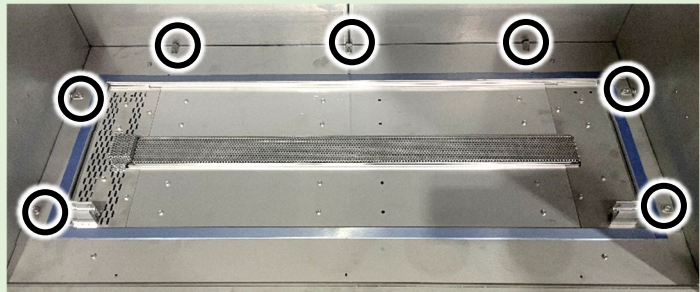
Single-sided fireplaces use 7 clips and screws.

See-Through fireplaces use 4 clips and screws.

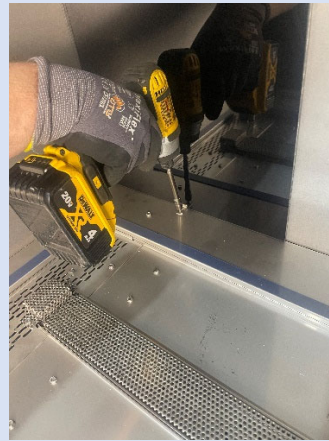


- Use a 1/4" nut driver to remove the screws from the outer edge of the media tray.

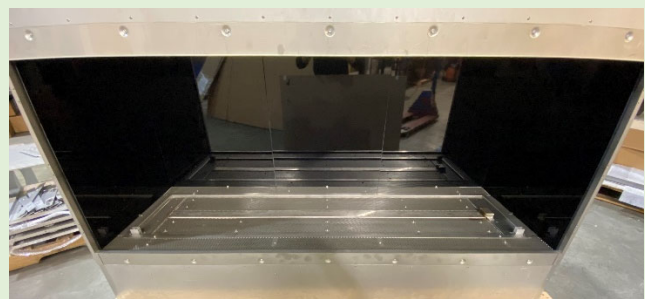
NOTE: See through fireplace will only have (4) screws ((2) on each end).



- Use the screws removed in the previous step to secure the fireback clips to the media tray, holding the firebacks in place.



- When all the panels are in place and secured, replace the (2) media tray end pieces and proceed with the firebox setup.



Crushed Glass Installation

Crushed glass is placed over the burners and center media trays. Use only 1/4" crushed glass from Travis Industries and/or other media specifically approved by Travis Industries.

32 Finalizing the Installation (qualified installers only)

Placing Crushed Glass on the Burner and Center Media Trays

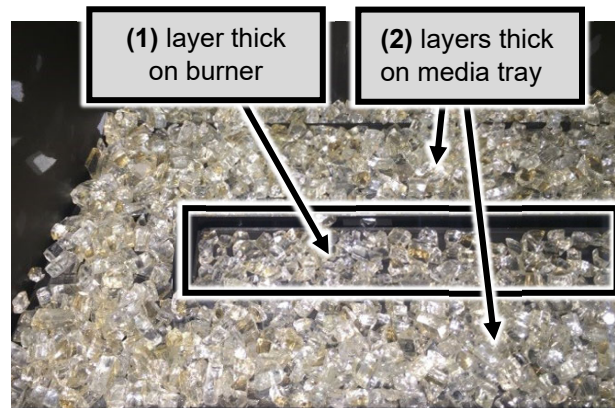
Glass Quantity Needed	40x24 Fireplaces	25 lbs. (11.34.8kg)
	64x24 Fireplaces	40 lbs. (18.14kg)

**1 Level Cup (8 fl. oz.) (240ml) = 0.95 lbs.
So...1 Slightly Rounded Cup = 1 lb.**



Determine the amount of glass needed for the fireplace being installed. Set this glass aside in portions to allow for an even amount of glass to be placed over the surface of the burner and media tray. **NOTE:** It is better to install too little glass than too much.

- (a) Open a bag of crushed glass and pour it evenly onto the burner and media trays. Use a brush or glove to evenly distribute the glass over the surface.



- (b) Spread an even layer of crushed glass over the media tray and burner. The glass must be only (1) layer thick on the burner but can be (2) layers thick on the media tray. Excessive glass placed on the burner may cause poor burn characteristics and can lead to sooting and/or delayed ignitions.

Tumbled Stone Installation

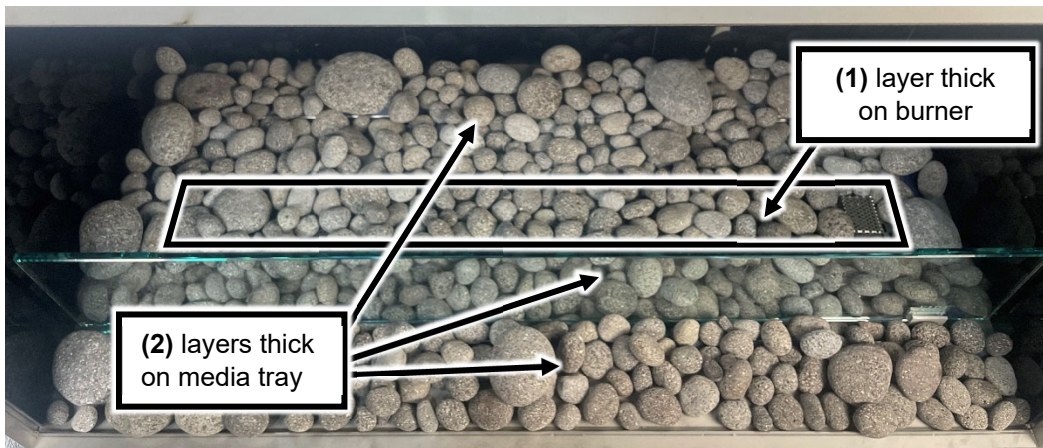
Tumbled Stone may be placed over the burners and media trays. Only use the Tumbled Stone media kit from Travis Industries. The amount of stone indicated on the chart below refers to the small stones used to cover the burner and media tray. Large stones may be placed anywhere over the media tray but should not be installed over the burner and are not included in the recommended weights in the chart below.

Placing Tumbled Stone on the Burner and Media Trays

Small Tumbled Stone Quantity Needed	40x24 Fireplaces	50 lbs. (22.68 kg) small & 20 lbs. (9.07 kg) large
	64x24 Fireplaces	80 lbs. (36.29 kg) small & 20 lbs. (9.07 kg) large

NOTE: We recommend painting the burner and media tray with black high temperature stove paint prior to installing the stones in order to disguise the stainless steel so it is not as noticeable between the stones.

- Determine the amount of small stones needed for the appliance being installed. Distribute the stones to disguise the stainless steel. The stones may be placed in a double layer over the media tray but should be only a single layer over the burner.
- Large stones may be placed anywhere on the media tray that is aesthetically pleasing but should not be placed over the burner.



34 Finalizing the Installation (qualified installers only)

Assembling the Glass Wind Guard

The wind guard glass must be used for all fireplace installations. Single sided fireplaces use one wind guard, and see-through fireplaces use two.

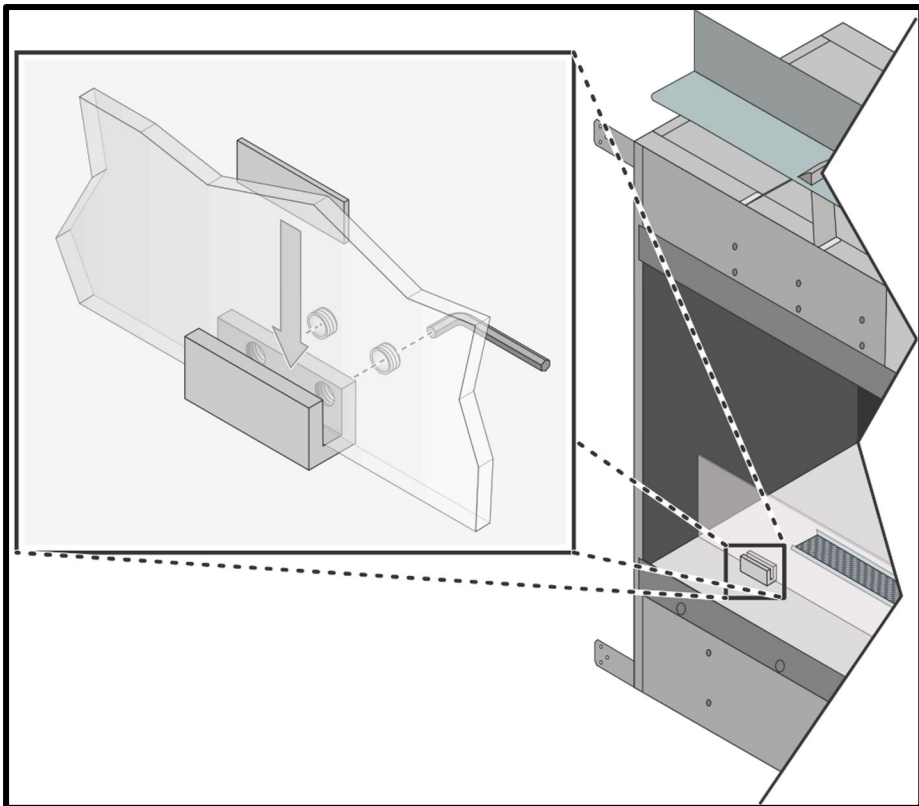
- Place the glass into the glass retainer clamps on the media tray.

NOTE: Make sure the glass is centered on the fireplace before tightening the clamps.

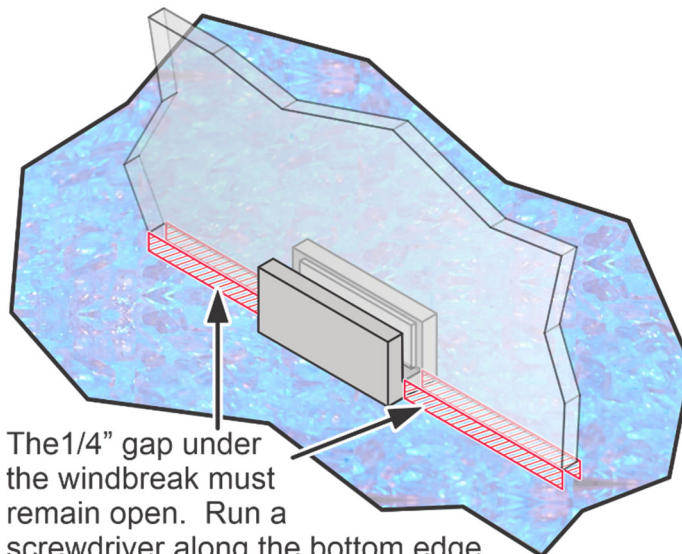
- Insert one of the included metal shims between the backside of the glass and the clamp.
- Use a 1/8" Allen wrench to tighten the (2) set screws on the back of each clamp.

NOTE: Tighten the set screws just enough to support the glass, do not over tighten.

WARNING: Failure to use the shims will cause the glass to break when the setscrews are tightened.



Clear the Windbreak Air Gap



The 1/4" gap under the windbreak must remain open. Run a screwdriver along the bottom edge of the glass to move pieces of media from this area.

Before the First Fire

- ! Read this entire manual before you use your new fireplace, especially the section "Safety Precautions" on page 4. Failure to follow the instructions may result in property damage, bodily injury, or even death.
- ! Remove any cover from the fireplace prior to operation.
- ! Inspect the fireplace to make sure it is free of debris or objects that may have fallen into the fireplace prior to operation.
- ! Inspect the fireplace, burner, and supply lines for any damage prior to operation. The burner must be replaced prior to the appliance being put into operation if it is evident that the burner is damaged. Use only Travis Industries replacement burners.
- ! It may be difficult to see the burner operating in direct sunlight.

Operating Instructions

WARNING: This gas fireplace is automated; it runs off an electric ignition system and may not be lit with a lighter or matches.

How your appliance works

Ignition

When you switch the appliance on, electrical power is supplied to the control module, starting the ignition sequence. During ignition, the igniter will heat up. Gas is then turned on to the fireplace. The fireplace will ignite, and the thermopile will signal the control module that the appliance is lit, and the igniter will then turn off.

NOTE: In rare cases, the appliance will fail to light. In these cases, the appliance will wait 30 seconds, then re-start the 30-second ignition sequence. The control module will try to restart the appliance a total of 3 times. If it fails to light after three tries, the appliance will then shut off. To re-start, turn the switch off, wait 5 minutes, then turn the switch on.

Appliance in Operation

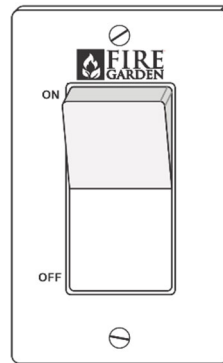
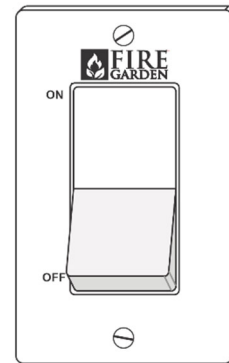
The appliance, once lit, will stay lit until the switch is turned off. If the gas flow is interrupted, or if wind blows out the flame, the fireplace will start the 1-1/2 minutes (90 second) ignition sequence.

Safety Circuit

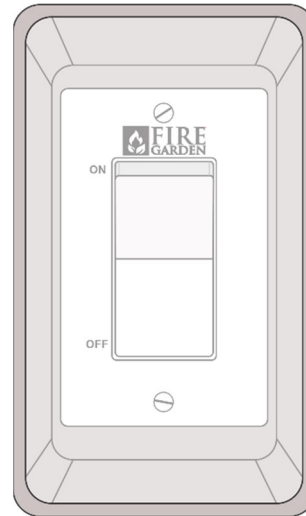
Each appliance has a built-in safety circuit that only allows gas to flow during the ignition sequence and when the appliance is lit. This prevents gas buildup. The safety circuit relies upon a thermopile to keep the gas valve open. If the flame goes out the control module will shut the gas off, then try to relight the appliance. Your appliance cannot be operated manually. If a problem persists, consult the troubleshooting guide (pg. 44) and call a qualified service technician if needed.

Location of Controls

- Use the wall switch to supply power to the fire pit. The fire pit will automatically light when power is supplied (The location of the switch is specific to your installation).

OffOn

- If the wall switch will be located where it is not protected from precipitation, it must be installed in a weather resistant enclosure (not included).



Maintaining Your Appliance

! **Failure to inspect and maintain may lead to malfunctioning of the appliance and potentially dangerous situations.**

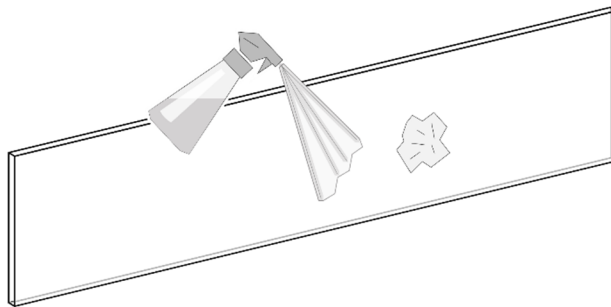
- Inspect the appliance prior to each use.
- Keep the appliance clean and remove any debris that collects in or on the appliance. Inspect for spiders and insects, they may clog burner ports or air inlets and need to be removed before using.
- Have the appliance inspected by a qualified service technician annually.
- The stainless steel burner top will discolor – this is normal.

Your appliance is designed to be easily cleaned and maintained. The most common maintenance that your appliance will require is cleaning the glass wind guard. Clean with glass cleaner or warm soapy water. The glass wind guard on the appliance is tempered and designed for safety. If the glass breaks it will shatter into small square pieces similar to a car window. It is special glass and if you break one or need to replace a piece of glass, use only 3/8" thick tempered glass supplied by your Fire Garden™ dealer.

Glass Cleaning

The appliance must be completely cool before cleaning the glass.

The glass may be cleaned with a non-abrasive cleaner. To clean the inside of the glass, remove the glass, place it on a non-scratching surface, and clean the inside surface.



Accessing Components

**WARNING**

Disconnect power before attempting maintenance or repair.

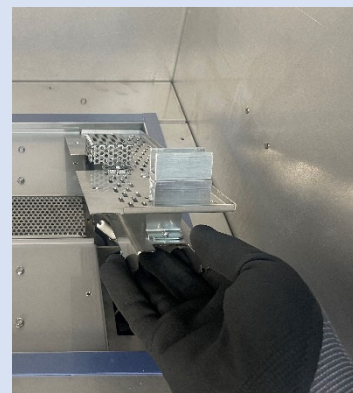
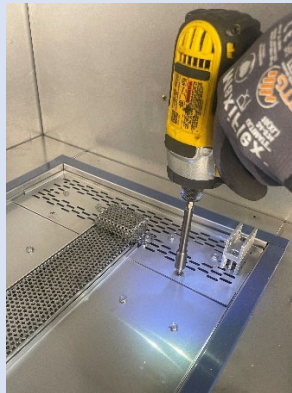
The gas valve and electrical components are located under the burner tray. To access the components, follow the steps below.

Removing the Media Trays

- Remove the glass wind guard and all the crushed glass media (if already installed).



- Remove the (2) screws that secure the end media trays to the fireplace. Lift the media tray end pieces out of the fireplace and set them aside for reinstallation.



Removing the Burner Tray Assembly

NOTE: If you are accessing the gas or electrical connections you do not need to remove anything else on the top portion of the burner tray. **If you are trying to gain access to the pressure tap or to convert the appliance to LP gas, skip these instructions in this shaded box and proceed to the next section.**

- With the end sections of the media tray removed you grasp the remaining sections of the media tray and lift the burner assembly upward to remove it from the firebox.

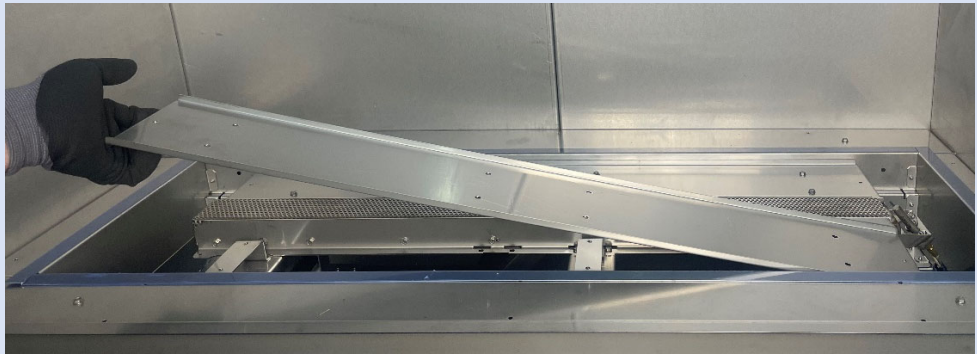


Removing the Media Trays (continued)

- Remove the screws that secure the front media tray to the burner tray assembly (6 for a 3' appliance or 10 for a 5' appliance). Set screws aside for reinstallation.



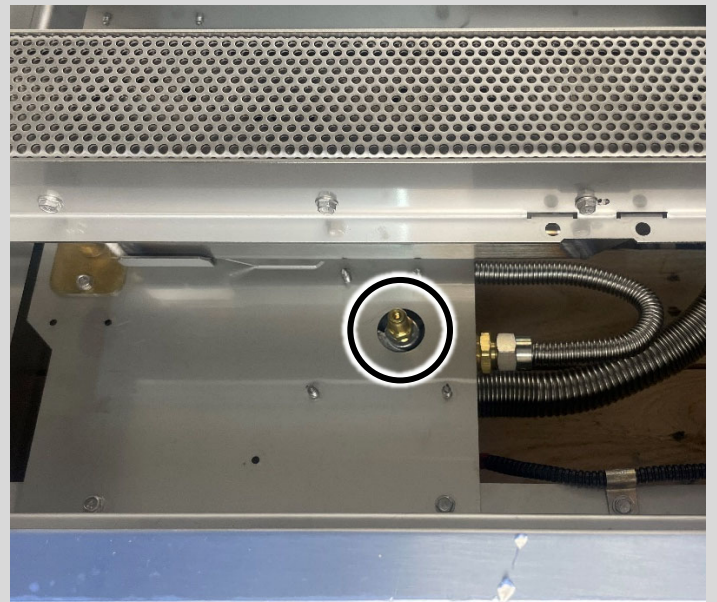
- Lift the front media tray out of the appliance and set it aside for reinstallation.



Accessing the Pressure Tap

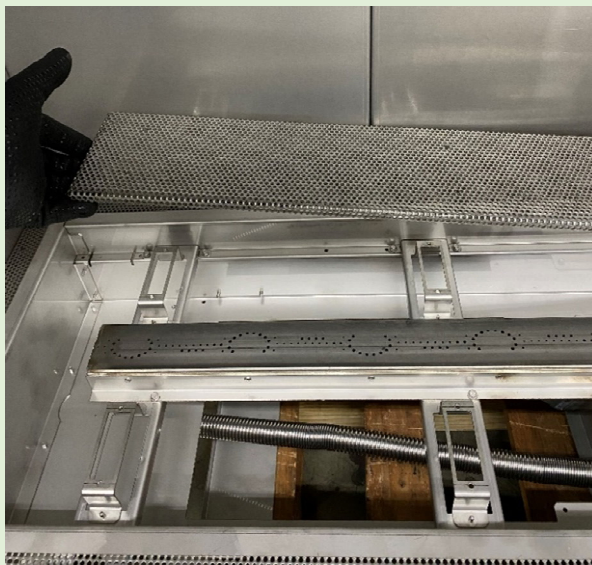
NOTE: If you are accessing the pressure tap to take a manifold pressure reading only, it is now accessible and you do not need to remove the rest of the burner. **If you are trying to gain access to the other components, skip these instructions and proceed to the next section.**

- Locate the pressure tap shown to the right. It is approximately in the center of the appliance.

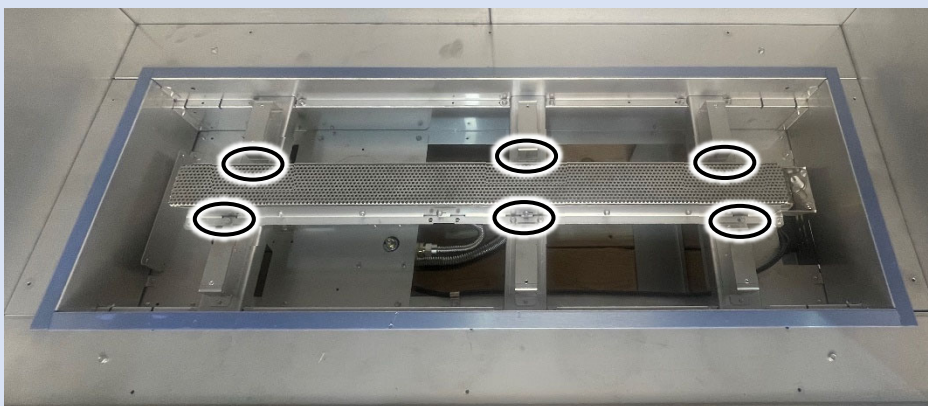


Removing the Media Trays (continued)

- Repeat the same processes described above to remove the rear media tray.



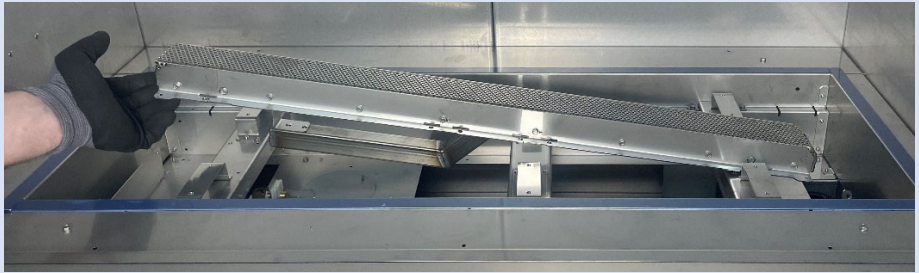
- Remove the screws that secure the burner to the burner support brackets. Set the screws aside for re-installation.



- Use a 1/4" nut driver to remove the two screws that secure the pilot bracket to the right end of the burner. Carefully set the pilot assembly aside for reinstallation.



- Lift the burner and remove it from the appliance. The burner orifices are now accessible for LP conversion.



NOTE: Lift the left side of the burner first and take care to not damage the igniter with the right end of the burner.



- Once maintenance or testing of components is complete, follow the above steps in reverse to return the fireplace to its proper configuration.

Winterizing the Appliance

! WARNING !

THE GAS MUST BE TURNED OFF IF A COVER IS INSTALLED ON THE APPLIANCE.

In areas where the appliance may not be used in winter, or for an extended period, you may wish to cover the appliance. If a cover is used, you **MUST** shut off gas to the appliance. This will ensure the appliance is not accidentally turned on or started with debris or snow inside the fireplace.

Failure to turn off the gas when the appliance is covered can create a severe safety hazard and may result in property damage, personal injury, or loss of life.

Yearly Service Procedure

DANGER HIGH VOLTAGE: Disconnect power before attempting maintenance or repair.

- Failure to inspect and maintain the fireplace may lead to improper combustion and a potentially dangerous situation. We recommend the following procedures be done by a qualified technician.

THIS APPLIANCE IS NOT USER SERVICEABLE: Contact your dealer for service.

Inspect the pilot flame. The top 1/4" of both the thermopile and igniter should be within the flame. If it is not, contact your dealer for service.

Shut off the gas to the fireplace and let it cool for 15 minutes.

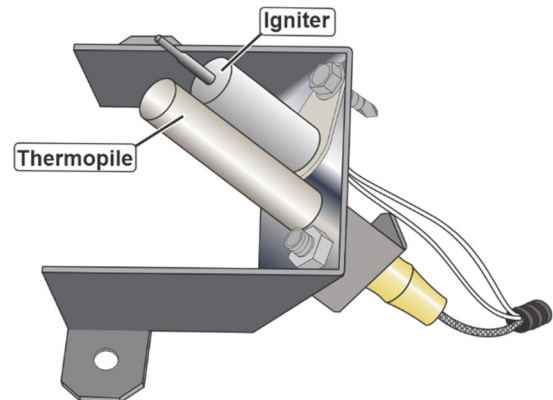
Remove crushed glass. If excessive sooting is found, the fireplace will require adjustment. Contact your dealer.

Inspect the burner and remove any debris.

- Make sure the burner is not warped, cracked, or damaged.
- Check the firebox and area around the pilot to make sure there is no warping or damage.
- If any problem is found, discontinue use, and contact your dealer for service.
- Replace the crushed glass.

Check the gas control valve and the gas lines. If damage is found, discontinue use, and contact your dealer for service.

Start the main burner. After 15 minutes the flames should be orange/yellow. If the fireplace is not burning correctly, contact your dealer for service. If the igniter is not getting hot or lighting the fireplace properly contact your dealer for service.



Replacement Parts List

Caution: Use only Travis Industries replacement parts. Do not use substitute materials.

Warning: Do not operate the appliance with the glass wind guard removed, cracked, or broken. Replacement of the glass should be done by a licensed or qualified service person.

REPLACEMENT PARTS	
40x24 FP – WIND GUARD GLASS FRONT/REAR - 38-7/8" x 6" (Qty 1)	250-05773
64x24 FP – WIND GUARD GLASS FRONT/REAR - 62-7/8" x 6" (Qty 1)	250-05709
GAS CONTROL VALVE	250-05704
THERMOPILE	250-04550
IGNITER	250-04549
CONTROL MODULE	250-05703
BURNER ORIFICE - (#41)	250-04625
BURNER ORIFICE - (#43)	250-00398
BURNER ORIFICE - (1.65mm)	250-04381
WALL SWITCH	250-00778
WALL SWITCH COVER PLATE	250-05821

Contact your local Fire Garden™ dealer to purchase replacement parts.

Troubleshooting Table

Problem:	Possible Cause:	Don't Call for Service Until You:
Appliance Does Not Light and igniter does not Glow Red	<ul style="list-style-type: none"> • Electrical Power Off • Igniter burned out • Burner or burner orifice may be dirty or blocked 	<p>Verify power is on and check the circuit breaker or GFCI.</p> <p>Replace Igniter</p> <p>Contact your dealer for details on removing any debris (spider webs, etc.) from the burner and orifice area.</p>
Appliance Does Not Light and Igniter Glows Red	<ul style="list-style-type: none"> • Gas is Off • Not enough electrical current to the fireplace 	<p>Turn Gas On (check shut-off valve)</p> <p>Voltage must be checked with power draw (fireplace in startup)</p>
Appliance Lights During Ignition Sequence then Goes Out During Normal Operation	<ul style="list-style-type: none"> • Dirty Air Channel or Burner • Thermopile has worn out 	<p>Clean soot from burner, and any air channels. If problem persists, contact the dealer for service.</p> <p>Replace thermopile</p>
Flames are too short	<ul style="list-style-type: none"> • The gas supply pressure to the appliance is too low. 	<p>Depleted LP cylinder.</p> <p>Gas supply lines or gas regulators do not have enough capacity. This may be due to other appliances in the house using up the available capacity, e.g. pool heaters, furnaces, hot water tanks, etc.</p>
Glass is Sooting	<ul style="list-style-type: none"> • Burner or burner orifice may be dirty or blocked • Windy Condition 	<p>Contact your dealer for details on removing any debris (spider webs, etc.) from the burner and orifice area.</p> <p>Wind will influence the flame quality and, if persistent, may lead to sooting on the glass.</p>

Limited Warranty

45

Register your TRAVIS INDUSTRIES, INC. Limited 7 Year Warranty online at traviswarranty.com. TRAVIS INDUSTRIES, INC. warrants this gas appliance (appliance is defined as the equipment manufactured by Travis Industries, Inc.) to be defect-free in material and workmanship to the original purchaser from the date of purchase as follows:

Check with your dealer in advance for any costs to you when arranging a warranty call.
Mileage or service charges are not covered by this warranty. This charge can vary from store to store.

		Warranty Period								Component
		2 yrs.		5 yrs.		7 yrs.		90 Days		
		P	L	P	L	P	L	P	L	
P=Parts L=Labor		✓	✓	✓	✓	✓				Burner Assembly Burner Pan Assembly, Main Burner Orifice
		✓	✓	✓	✓	✓				Firebox Assembly
		✓	✓							Electrical Assembly (within appliance structure) Wire harness, Transformer
		✓	✓							Gas Control Assembly Solenoid, Ignition control module, Hot surface igniter, Thermopile
		✓	✓							Accessories Glass Firebacks, Glass Wind Guard (Thermal shock only)
		✓	✓							One-Way Freight Allowance One-way freight allowance on pre-authorized repair done at the factory is covered.
								✓		All replacement parts purchased beyond the warranty period

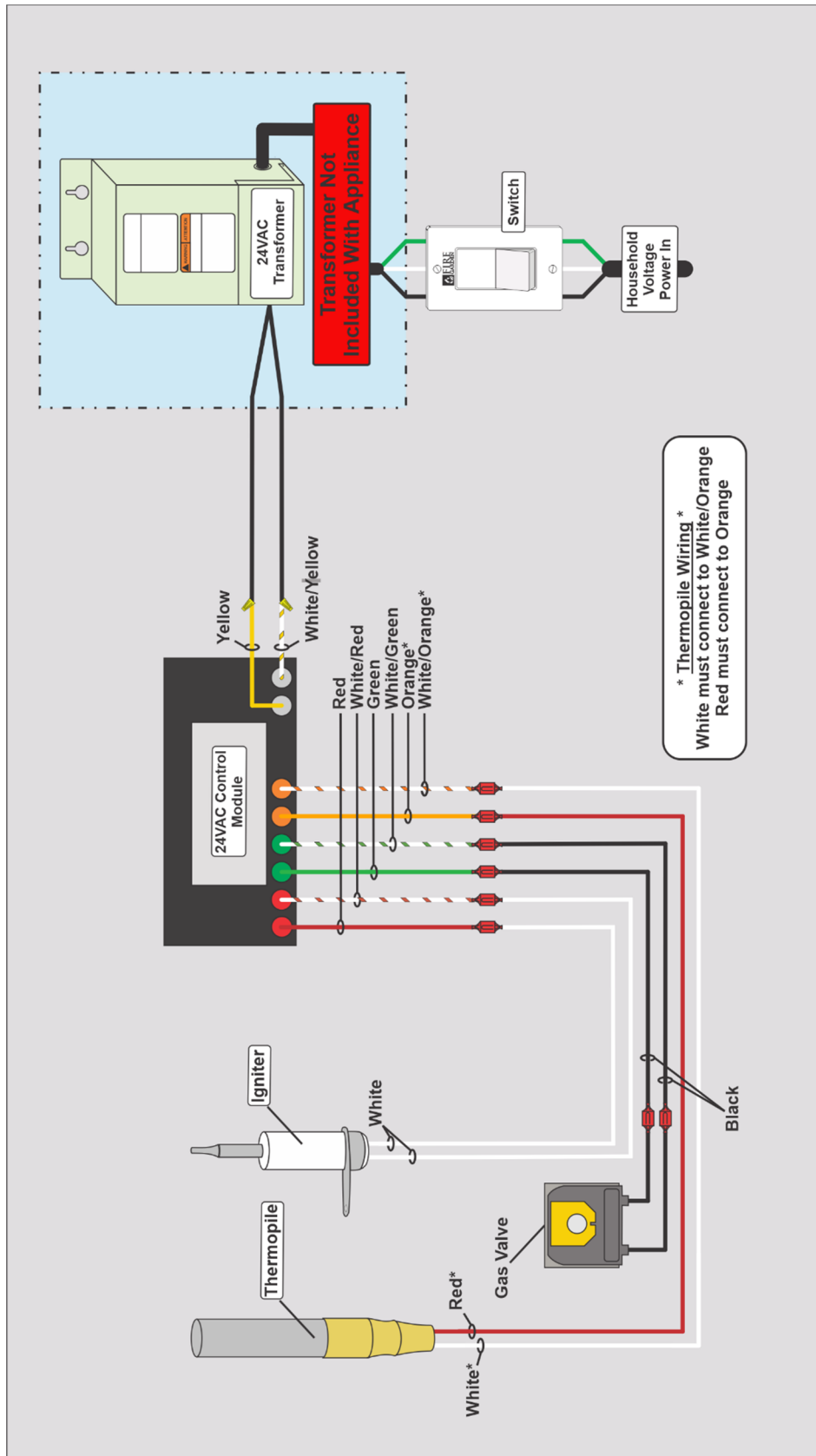
CONDITIONS & EXCLUSIONS

- This new gas appliance must be installed by a qualified gas appliance technician. It must be installed, operated, and maintained at all times in accordance with the instructions in the Owner's Manual. Any alteration, willful abuse, accident, neglect, alteration, misapplication, or misuse of the product shall nullify this warranty.
- This warranty is non-transferable and is made to the ORIGINAL purchaser, provided that the purchase was made through an authorized TRAVIS dealer.
- Discoloration and some minor expansion, contraction, or movement of certain parts and resulting noise, is normal and not a defect and, therefore, not covered under warranty. The installer must ensure the appliance is burning as per the rating tag at the time of installation. Overfiring (operation above the listed BTU rate) of this appliance can cause serious damage and will nullify this warranty.
- This warranty does not cover damage to the finish, such as scratches, dents, discoloration, rust, or other weather damage, after purchase.
- Travis Industries will not be responsible for inadequate performance caused by environmental conditions such as nearby trees, buildings, rooftops, wind, hills or mountains, or other influences from mechanical systems such as fans, etc.
- This Warranty is void if:
 - The unit has been operated in atmospheres contaminated by chlorine, fluorine, or other damaging chemicals.
 - The unit is subject to submersion in water.
- Exclusions to this warranty include injury, loss of use, damage, failure to function due to accident, negligence, misuse, improper installation, alteration or adjustment of the manufacturer's settings of components, lack of proper and regular maintenance, damage incurred while the appliance is in transit, alteration, or act of God.
- This warranty excludes damage caused by normal wear and tear, such as discoloration. Also excluded is damage to the unit caused by abuse, improper installation, modification of the unit, drilling of the orifices, or the use of fuel other than that for which the unit is configured. Units are shipped for either natural gas or propane. Confirm fuel configuration with your installer.
- Damage to stainless steel surfaces caused by fingerprints, scratches, melted items, or other external sources left on the stainless steel from the use of cleaners is not covered in this warranty.
- TRAVIS INDUSTRIES, INC. is free of liability for any damages caused by the appliance, as well as inconvenience expenses and materials. Incidental or consequential damages are not covered by this warranty. In some states, the exclusion of incidental or consequential damage may not apply.
- This warranty does not cover any loss or damage incurred by the use or removal of any component or apparatus to or from the gas appliance without the express written permission of TRAVIS INDUSTRIES, INC. and bearing a TRAVIS INDUSTRIES, INC. label of approval.
- Any statement or representation of TRAVIS products and their performance contained in TRAVIS advertising, packaging literature, or printed material is not part of this warranty.
- This warranty is automatically voided if the appliance's serial number has been removed or altered in any way.
- No dealer, distributor, or similar person has the authority to represent or warrant TRAVIS products beyond the terms contained within this warranty. TRAVIS INDUSTRIES, INC. assumes no liability for such warranties or representations.
- Travis Industries will not cover the cost of the removal or re-installation.
- If for any reason any section of this warranty is declared invalid, the balance of the warranty remains in effect and all other clauses shall remain in effect.
- THIS WARRANTY IS THE ONLY WARRANTY SUPPLIED BY TRAVIS INDUSTRIES, INC., THE MANUFACTURER OF THE APPLIANCE. ALL OTHER WARRANTIES, WHETHER EXPRESS OR IMPLIED, ARE HEREBY EXPRESSLY DISCLAIMED AND PURCHASER'S RECOURSE IS EXPRESSLY LIMITED TO THE WARRANTIES SET FORTH HEREIN.**

IF WARRANTY SERVICE IS NEEDED:

- If you discover a problem that you believe is covered by this warranty, you MUST REPORT it to your TRAVIS dealer WITHIN 30 DAYS, giving them proof of purchase, the purchase date, and the model name and serial number.
- Travis Industries has the option of either repairing or replacing the defective component.
- If your dealer is unable to repair your appliance's defect, he may process a warranty claim through TRAVIS INDUSTRIES, INC., including the name of the dealership where you purchased the appliance, a copy of your receipt showing the date of the appliance's purchase, and the serial number on your appliance. At that time, you may be asked to ship your appliance, freight charges prepaid, to TRAVIS INDUSTRIES, INC. TRAVIS INDUSTRIES, INC., at its option, will repair or replace, free of charge, your TRAVIS appliance if it is found to be defective in material or workmanship within the time frame stated within this warranty. TRAVIS INDUSTRIES, INC. will return your appliance, freight charges prepaid by TRAVIS INDUSTRIES, INC., to your regional distributor, or dealership.

Wiring Diagram



Accessing Components	38	Glass Cleaning.....	37
Additional Items Required	9	Installation Warnings	7
Appliance Weight	5	Lifting Handles (optional)	8
Assembling the Wind Guard	34	Location of Controls	36
Before the First Fire	35	LP Conversion and Turndown Conversion	19
Clearances	12	Maintaining Your Appliance	37
Corner Framing (Fireplaces)	14	Mantel Requirements	28
Crushed Glass Installation	31	Minimum Framing Dimensions- Fireplaces	13
Daisy-Chain Wire Length Chart	25	Multiple Appliances to One Transformer	24
Direct-Run Wire Length Chart.....	26	Multiple Transformers to One Switch.....	23
Electrical Connection Requirements.....	20	Operating Instructions.....	35
Electrical Specifications	5	Packing List.....	7
Enclosure Ventilation Requirements.....	15	Recommended Order of Installation	7
Facing Requirements	27	Replacement Parts List.....	43
Fireback Installation	29	Steps for Finalizing the Installation	29
Fireplace Dimensions.....	6	Troubleshooting Table	44
Fireplace Placement Chart.....	11	Tumbled Stone Installation	33
Fireplace Placement Requirements.....	10	Using More than One 24-volt Appliance	23
Fireplace Preparation	17	Winterizing the Appliance	42
Gas Line Requirements	18	Yearly Service Procedure	42
Gas Specifications	5		