

WOOD BURNING
INSERTS

CATALYTIC-FREE | EPA 2020 CERTIFIED



TRADITIONAL SERIES

WOOD BURNING INSERTS



SUPER INSERT LE - METALLIC BLACK DOOR

Designed to deliver efficient combustion and controlled heat, Pacific Energy wood inserts are easy to light, easy to use, and provide a clear view of the flame. With variable speed fans, clean-glass airwash technology and heavy-gauge steel construction, our inserts will provide many years of comfort and enjoyment.

NEO SERIES

WOOD BURNING INSERTS



NEO 1.6 INSERT LE - STAINLESS STEEL FRONT TRIM

Make your existing masonry fireplace a significant source of wood heat with the contemporary style of the Neo series inserts. Built with heavy-gauge steel, these wood inserts features our industry-leading secondary combustion system, our unique high capacity stainless steel baffle and advanced heat exchanger technology for exceptional clean-burning, efficient performance.

up to
1500
sq ft



VISTA INSERT LE

up to
2000
sq ft



SUPER INSERT LE

up to
3000
sq ft



SUMMIT INSERT LE

up to
1500
sq ft



NEO INSERT 1.6 LE

up to
2000
sq ft



NEO INSERT 2.5 LE

FRONT TRIM CHOICES

Neo series inserts are customizable with two front trim finishes.

Metallic Black



Stainless Steel



ALDERLEA SERIES

WOOD BURNING INSERTS



ALDERLEA T5 CLASSIC INSERT LE – ANTIQUE WHITE



BUILD YOUR STOVE
pacificenergy.net/build-your-stove



SUPER INSERT LE – BRUSHED NICKEL DOOR

Transform your fireplace into an efficient heating system and enjoy the traditional cast iron styling of the Alderlea T5 Insert LE. Choose from rich metallic black or the added beauty and charm of lustrous porcelain enamel to create a striking centerpiece that provides long-lasting, clean-burning heat.

up to
2000
sq ft

up to
2000
sq ft



ALDERLEA T5 INSERT LE



ALDERLEA T5 CLASSIC INSERT LE

PORCELAIN ENAMEL OPTIONS

Classic inserts are available in two porcelain enamel colors.

Antique White



Majolica



ALDERLEA T5 CLASSIC INSERT LE – MAJOLICA



VISTA INSERT LE – NICKEL DOOR



NEO 1.6 INSERT LE – STAINLESS STEEL SURROUND

EPA 2020
CERTIFIED

2
GRAMS
PER
HOUR
OR LESS

All Pacific Energy wood inserts come with these industry leading features:

- EPA 2020 Certified
- Reliable, durable, catalytic-free technology
- High capacity baffle system
- Multi-port combustion air injection system
- Air wash system for super clean ceramic glass
- Inside and outside combustion air capable
- Floating firebox for extended stove life
- Single-Lever Air Control



VISTA INSERT LE

For spaces up to 1500 sq. ft.

Heat Output Cord Wood

56,000 BTU

23,200 BTU EPA Test Fuel

Efficiency (HHV)	72%
Emissions	1.9 gm/hr.
Log Size (recommended)	16"
Log Size (max)	17"
Firebox Size	1.6 cu.ft.
Viewing Area	152 sq.in.



SUPER INSERT LE

For spaces up to 2000 sq. ft.

Heat Output Cord Wood

72,000 BTU

38,200 BTU EPA Test Fuel

Efficiency (HHV)	71.3%
Emissions	1.8 gm/hr.
Log Size (recommended)	16"
Log Size (max)	18"
Firebox Size	2.1 cu.ft.
Viewing Area	122 sq.in.



SUMMIT INSERT LE

For spaces up to 3000 sq. ft.

Heat Output Cord Wood

99,000 BTU

41,275 BTU EPA Test Fuel

Efficiency (HHV)	74%
Emissions	1.8 gm/hr.
Log Size (recommended)	18"
Log Size (max)	20"
Firebox Size	3.0 cu.ft.
Viewing Area	153 sq.in.



NEO 1.6 INSERT LE

For spaces up to 1500 sq. ft.

Heat Output Cord Wood

56,000 BTU

23,200 BTU EPA Test Fuel

Efficiency (HHV)	72%
Emissions	1.9 gm/hr.
Log Size (recommended)	16"
Log Size (max)	17"
Firebox Size	1.6 cu.ft.
Viewing Area	147 sq.in.



NEO 2.5 INSERT LE

For spaces up to 2000 sq. ft.

Heat Output Cord Wood

85,000 BTU

60,000 BTU EPA Test Fuel

Efficiency (HHV)	71.3%
Emissions	2.0 gm/hr.
Log Size (recommended)	16"
Log Size (max)	18"
Firebox Size	2.5 cu.ft.
Viewing Area	166 sq.in.



ALDERLEA T5 INSERT LE

For spaces up to 2000 sq. ft.

Heat Output Cord Wood

72,000 BTU

38,200 BTU EPA Test Fuel

Efficiency (HHV)	71.3%
Emissions	1.8 gm/hr.
Log Size (recommended)	16"
Log Size (max)	18"
Firebox Size	2.1 cu.ft.
Viewing Area	163 sq.in.

VISTA INSERT LE

STANDARD FEATURES

Rich metallic black finish
304 Steel Baffle, Tubes, Rails and Flame Shield
Removable flue collar for easier installation
Boost air for easy lighting
2 x 80 cfm temperature-actuated variable-speed blowers
6" flue outlet
East-West loading

DESIGN OPTIONS

Arched door: choice of three finishes
Embossed surround, standard size (37" x 28")
Embossed surround, oversize (42" x 30")

SUPER INSERT LE

STANDARD FEATURES

Extended Burn Technology (EBT)
304 Stainless Steel Baffle, insulation cover, rails and flame shield
Removable flue collar for easier installation
Boost air for easy lighting
Rich Metallic black finish
Cast iron warming shelf & ash lip
Two temperature-actuated variable-speed blowers
6" flue outlet
North-South loading

DESIGN OPTIONS

Arched door: choice of three finishes
Embossed surround, standard size (43" x 29")
Embossed surround, oversize (48" x 33")

SUMMIT INSERT LE

STANDARD FEATURES

Extended Burn Technology (EBT)
304 Stainless Steel Baffle, insulation cover, rails and flame shield
Removable flue collar for easier installation
Boost air for easy lighting
Rich Metallic black finish
Cast iron warming shelf & ash lip
Easy and safe front to back fuel loading
Two temperature-actuated variable-speed blowers
6" flue outlet
North-South loading

DESIGN OPTIONS

Arched door: choice of three finishes
Embossed surround, standard size (50 3/8" x 32 1/4")
Embossed surround, oversize (54 3/8" x 34 1/4")

NEO 1.6 INSERT LE

STANDARD FEATURES

Rich metallic black finish
304 Stainless Steel Baffle, Tubes* insulation cover, rails and flame shield
High-tech multi-port combustion air injection system
Removable Cast-Iron Flue Collar
Integrated Heat Exchanger
6" flue outlet
East-West loading

DESIGN OPTIONS

Contemporary front trim in Metallic Black or Stainless Steel
Standard backing plate (36" x 26")
Oversize backing plate (46" x 30")

PERFORMANCE OPTIONS

2x80 cfm temperature actuated variable speed blowers

NEO 2.5 INSERT LE

STANDARD FEATURES

Rich metallic black finish
304 Stainless Steel Baffle, insulation cover, rails and flame shield
High-tech multi-port combustion air injection system
Extended Burn Technology (EBT)
Removable Cast-Iron Flue Collar
Integrated Heat Exchanger
6" flue outlet
East-West loading

DESIGN OPTIONS

Contemporary front trim in Metallic Black or Stainless Steel
Standard backing plate (40" x 28 3/8")
Oversize backing plate (48" x 31 7/8")

PERFORMANCE OPTIONS

2x80 cfm temperature actuated variable speed blowers

ALDERLEA T5 INSERTS

STANDARD FEATURES

Extended Burn Technology (EBT)
304 Stainless Steel Baffle, insulation cover, rails and flame shield
Boost air for easy lighting
Cast iron warming shelf & ash lip
Two temperature-actuated variable-speed blowers
6" flue outlet
Removable flue collar
North-South loading

DESIGN OPTIONS

Metallic Black or porcelain enamel finish in Majolica or Antique White
Standard surround (42 1/2" x 30 3/8")
Oversized surround (42 1/2" x 34 1/8")



Pacific Energy Traditional Inserts are customizable in your choice of door finishes. Available in Nickel, Metallic Black and Brushed Nickel.

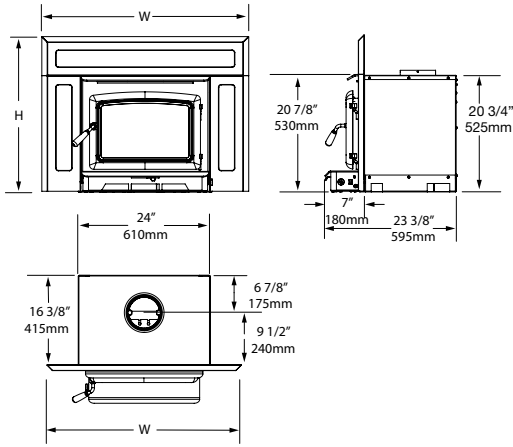


Pacific Energy Neo series inserts are customizable with your choice of Metallic Black or Stainless Steel front trims.

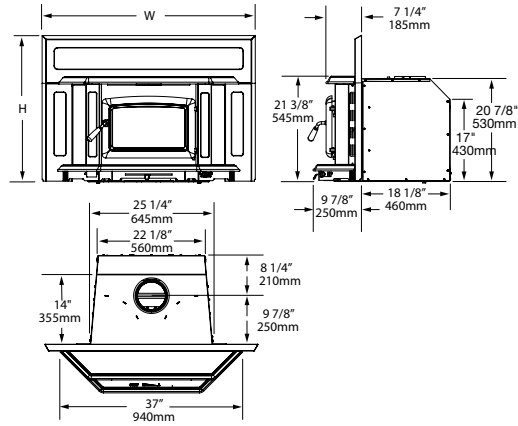
Alderlea series inserts are customizable with your choice of painted metallic black finish or two striking porcelain enamel finishes – Antique White or Majolica Brown.



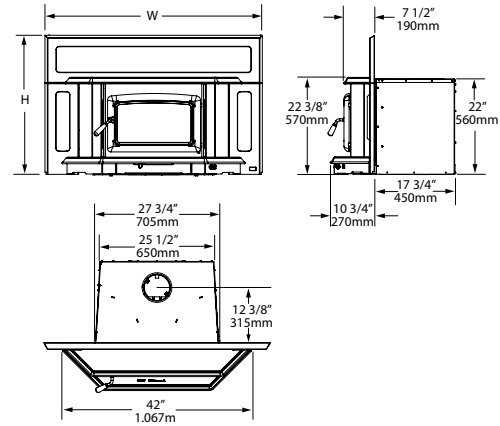
VISTA INSERT LE



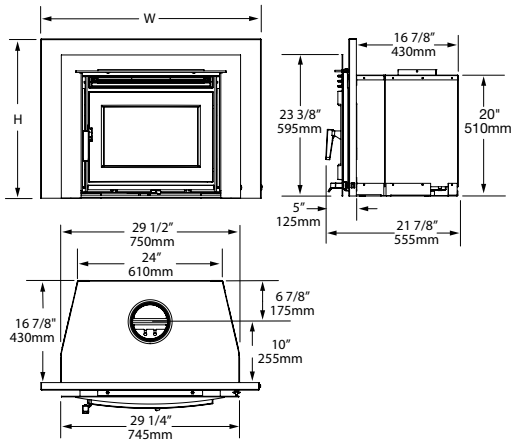
SUPER INSERT LE



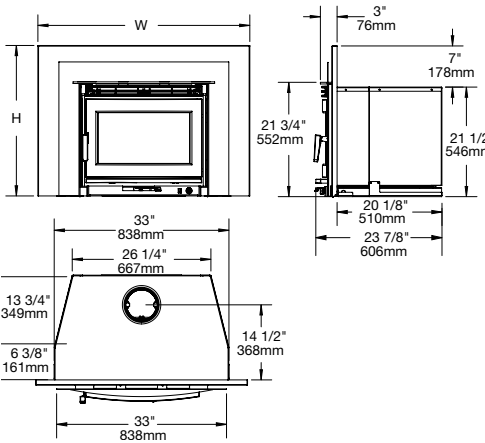
SUMMIT INSERT LE



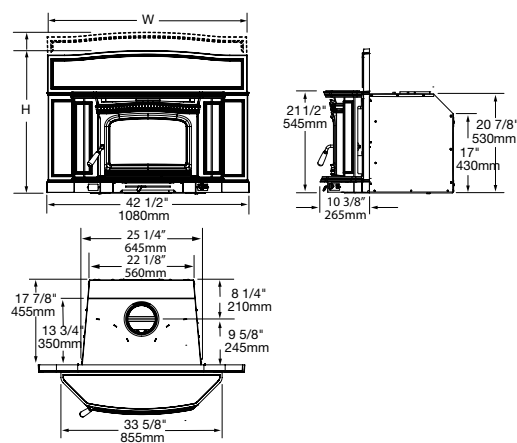
NEO 1.6 INSERT LE



NEO 2.5 INSERT LE



ALDERLEA T5 INSERT LE



INSTALLATION

CLEARANCES TO COMBUSTIBLES

	A	B*	C	D (Can)	D (USA)	E
NEO 1.6 INSERT LE ¹	9 1/2"	13"	13"	18"	16"	8"
NEO 2.5 INSERT LE ¹	11 1/2"	16"	15"	18"	16"	8"
VISTA INSERT LE ¹	9 1/2"	13"	13"	18"	16"	8"
SUPER INSERT LE ²	6"	12"	10"	18"	16"	8"
SUMMIT INSERT LE ²	8"	15"	8"	18"	16"	8"
ALDERLEA T5 INSERT LE ²	6"	12"	10"	18"	16"	8"

MINIMUM FIREPLACE OPENING

A	B	C	D
20 1/4"	30"	17"	24 1/2"
22"	34"	20"	26 1/2"
21"	24 1/2"	17"	24 1/2"
21"	26"	18 3/8"	22 1/2"
22 1/2"	28 1/4"	19"	26 1/4"
21"	26"	18 3/8"	22 1/2"

SURROUND SIZES

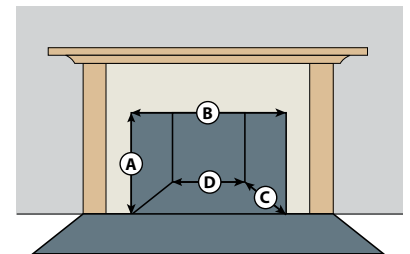
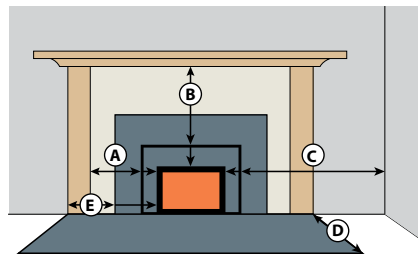
STANDARD		OVERSIZE	
Width (W)	Height (H)	Width (W)	Height (H)
36"	26"	46"	30"
40"	28 3/8"	48"	31 7/8"
37"	28"	42"	30"
43 3/8"	29 3/16"	48"	33"
50 3/8"	32 1/4"	54 3/8"	34 1/4"
42 1/2"	29 3/8"	42 1/2"	33 1/8"

(1) Distances are from Firebox Side. (2) Distances are from the Blower Covers. (*)Distances are from the top.



Pacific Energy is committed to continuous product improvement and innovation. As a result, appearance and specifications of the products featured in this brochure are subject to change without notice. For more information, please visit pacificenergy.net

SKU: 11900070 02/22/10M - Printed in Canada



For reference only. Installations should be based on manuals and rating labels. Specifications subject to change.



@pacificenergyfireplaceproducts

Follow us on Facebook and Instagram for news, promotions, and inspiring installations.