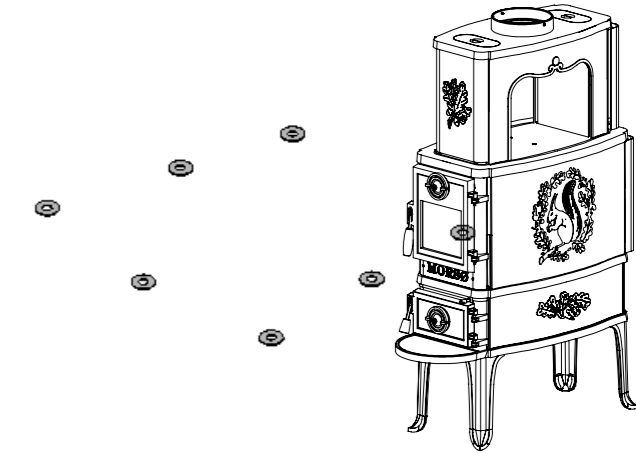
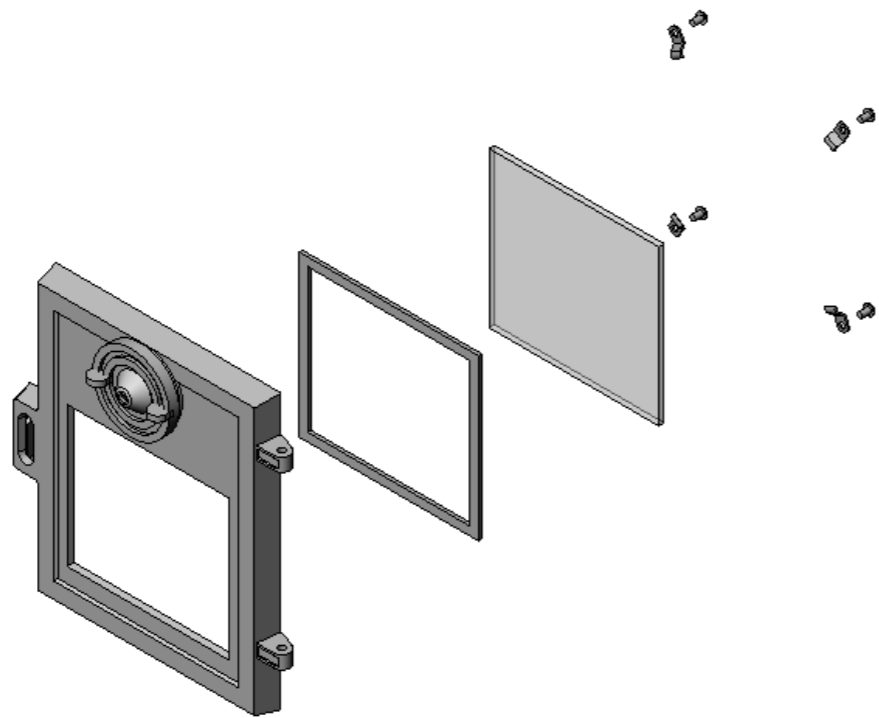


c	Skiver tilføjet til pos. nr. 91	TOL	17.04.2012
b	Tilføjet pos. 56 dæksel til overdel.	RSV	25.11.2009
Rev.	Revisions	Sign.:	Date:
		RSV	13.11.08
Title:		Construction:	
Reservedelstegning		Released:	
2B Classic		Format:	A3
Morsø 2B Classic		Scale:	1:20
		Itemno.:	
Drawingtype: Exploded Diagram		Drawing no.:	
Location of file: U:\udv\Tegninger\18&2B\2B Classic & 2B Standard Assembly.SLDASM		2b-509 c	

Material:	
Weight kg:	
Model no.:	
Drawingtype:	Exploded Diagram
Location of file:	U:\udv\Tegninger\18&2B\2B Classic & 2B Standard Assembly.SLDASM





Date of print: 17-04-2012

		b	Tilføjet pos. 56 dæksel til overdel.	RSV	25.11.2009
		Rev.	Revisions	Sign.:	Date:
		Title:		Construction:	RSV
		Reservedelstegning 2B Classic NA Morsø 2B Classic		Released:	
Material:	ERROR!:materiale			Format:	A3
Weight:				Scale:	1:20
Model no.				Itemno.:	
Drawingtype:	Exploded Diagram			Drawing no.:	
Location of file:	U:\udv\Tegninger\18&2B\2B Classic & 2B Standard Assembly.SLDASM			2B-509 b	

This drawing is Morsø Jernstøberi A/S' property and must not be sold, lended or copied without any written authorization from the company.