

950

451

301

274

morsø

386

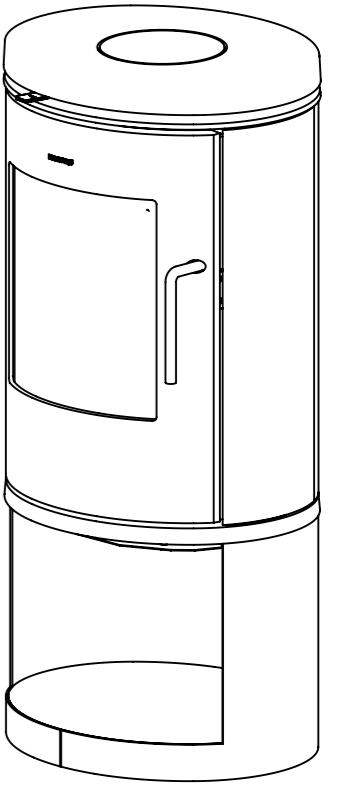
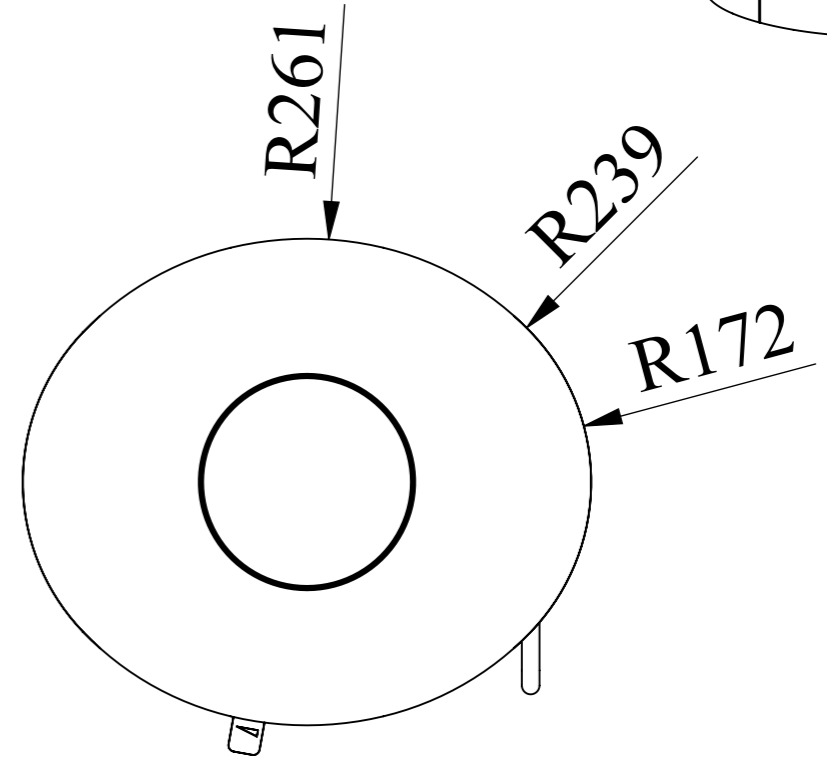
193

777

471

325

∅ 98



Date of print: 19-10-2015

Rev. Revisions		Sign.:	Date:
Title:		Construction:	RSV 05.02.2014
Dim. without indication of margin acc. to ISO Norm No.: 8062 CT9		Released:	
Material:		Format:	A3
Weight:		Scale:	1:6
Model no.		Itemno.:	
Drawingtype:	Assembly Instructions	Drawing no.:	Side 1 of 1
Location of file:	C:\Working\6100 Assembly.SLDASM	6100-200 a	
Målskitse 6143 - åben sokkel		Morsø 6100	
		morsø By appointment to the Royal Danish Court	

This drawing is Morsø Jernstøberi A/S' property and must not be sold, lended or copied without any written authorization from the company.