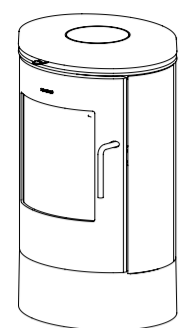


6140



- 73851100
- 74162061
- 736106
- 71810200
- 71810300
- 71611100
- 71617361
- 71610800

- P - 44812000
- V - 44812021
- 71813200
- 731608

- 73863100
- P - 44141900
- V - 44141921
- 542642

- P - 44610900
- V - 44610921
- 731625

- P - 44141000
- V - 44141021
- 44256800
- 791891
- 731616

- 34610600
- 44610621

- 731635
- 791891

- 73961700
- 746206
- 541440
- 791891

- P - 44611300
- V - 44611321
- 44610500
- 791891
- 731625

- P - 44611600
- V - 44611621

- P - 44611200
- V - 44611221

- 79610600
- 791891

- P - 44610700
- V - 44610721

- 736106
- 731650

- 71610461
- 731612

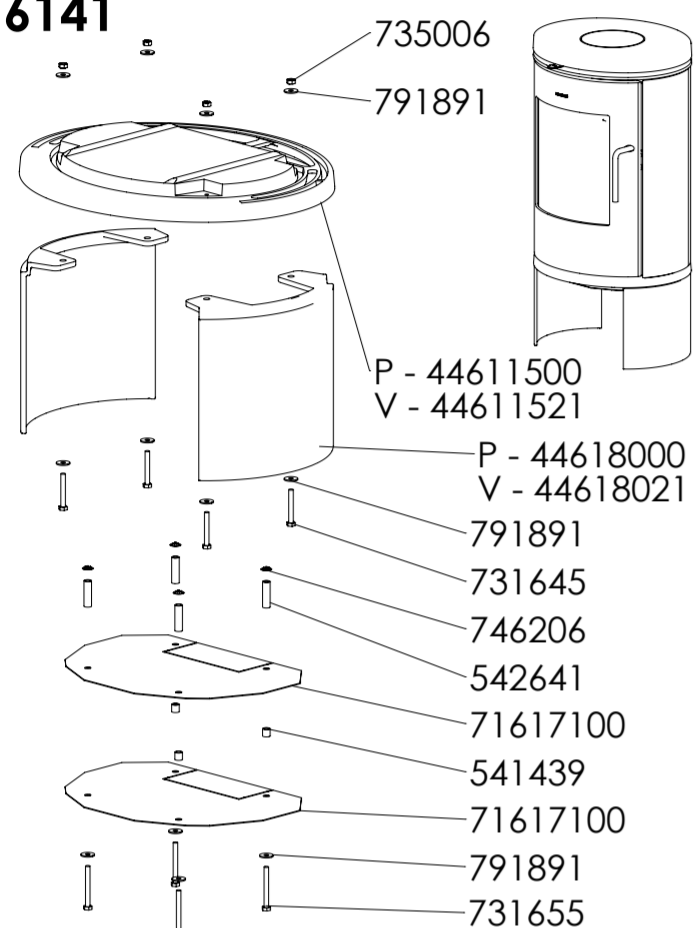
- 74241900
- P - 44141900
- V - 44141921

- 542630
- 791835
- P - 71611000

- 731616
- 71612200
- 541439
- 731630
- 731612

- P - 44610800
- V - 44610821

6141



- 735006
- 791891

- P - 44611500
- V - 44611521
- P - 44618000
- V - 44618021
- 791891
- 731645
- 746206
- 542641
- 71617100
- 541439
- 71617100
- 791891
- 731655

- 74701000
- 71810100

- 75263300

- 73850800
- 71814561
- 79610100
- 79074200

- 746006
- 791824
- 73856100
- 74701000

- 541808

- 73960700
- 44612300
- 54612321

- 71814561
- 73850800
- 73856100

- 746006
- 791824
- 71810100
- 73856100

- P - 44610200
- V - 44610221

- DE - P - 44611700
- DE - V - 44611721

- 74150804
- 71610700

- 79610300

- 79610500
- 79610400

- P - 44610400
- V - 44610421
- 71610561
- 74361000
- 79610200

- 71610100
- 731620
- 791891

- P - 44610100
- V - 44610121

- 54761000
- 71610300
- 731655

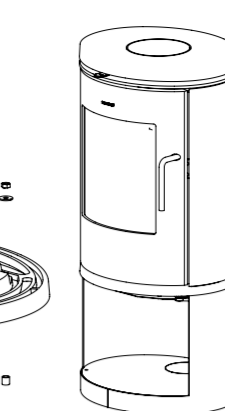
6143

med brændemagasin/
with Log Storage

- 791891
- 541439

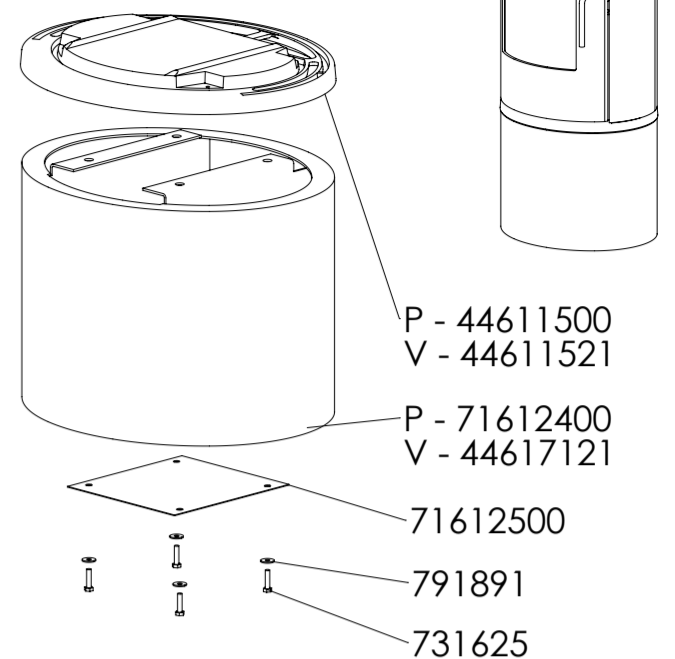
- 791891
- 731645

- 746206
- 542641
- 71617100
- 541439
- 71617100
- 731655



- P - 71617000
- V - 54617021

6143

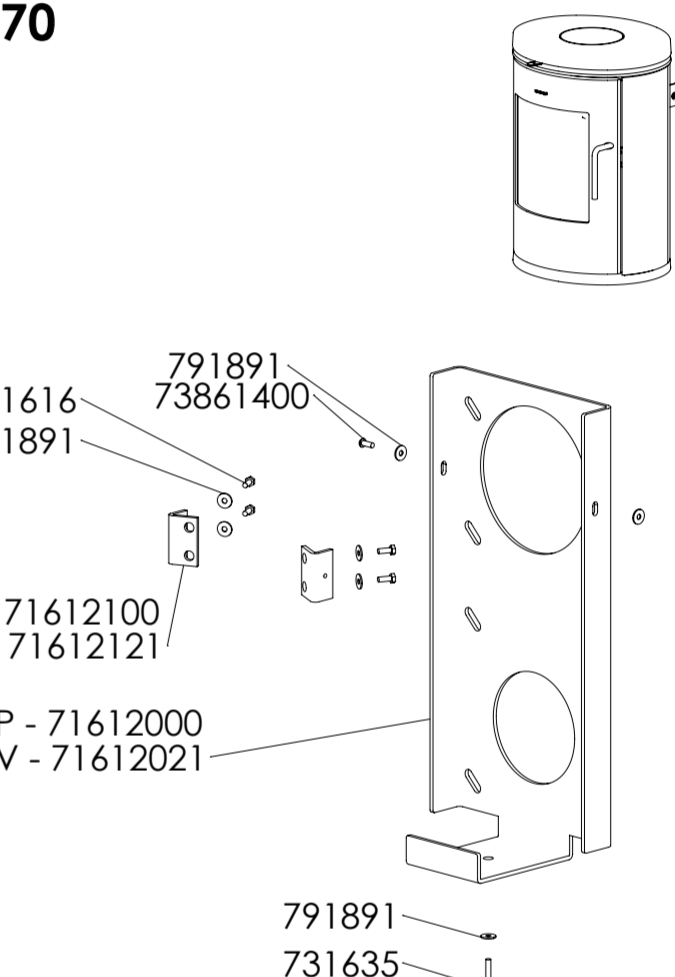


- P - 44611500
- V - 44611521

- P - 71612400
- V - 44617121

- 71612500
- 791891
- 731625

6170



- 731616
- 791891

- 791891
- 73861400

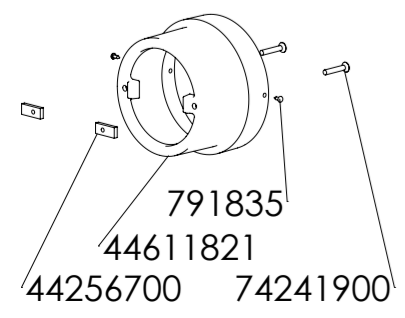
- P - 71612100
- V - 71612121

- P - 71612000
- V - 71612021

- 791891
- 731635

6100 US/CA/AUS

- 74241900
- 791835
- 44611821
- 71611900



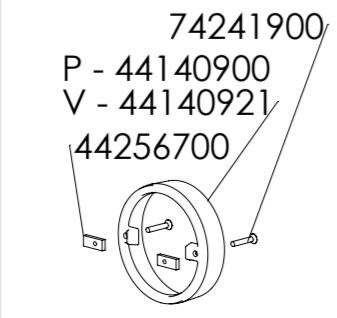
6100 US/CA

- 542056
- 73960700

- 75610161
- 79048800
- 74201900
- 75610061

6100 UK

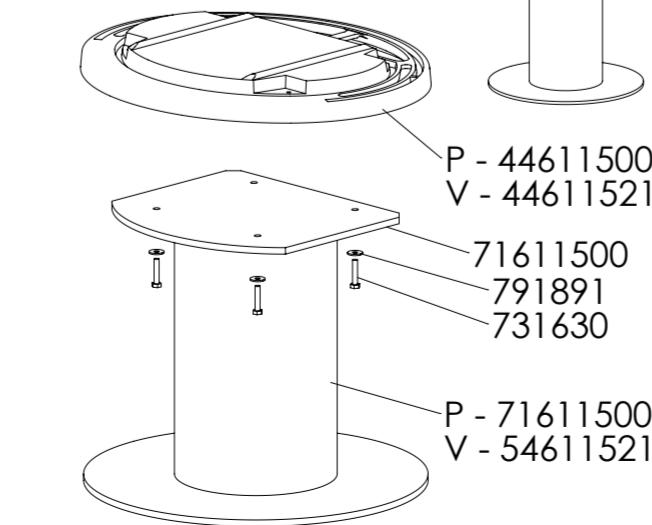
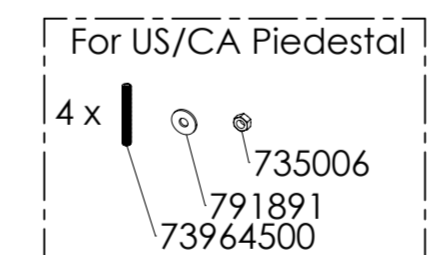
- P - 44140900
- V - 44140921
- 74241900
- 71611900



**6100 Tysk
6100 Germany**

- 73850600
- 71814000
- 73850600

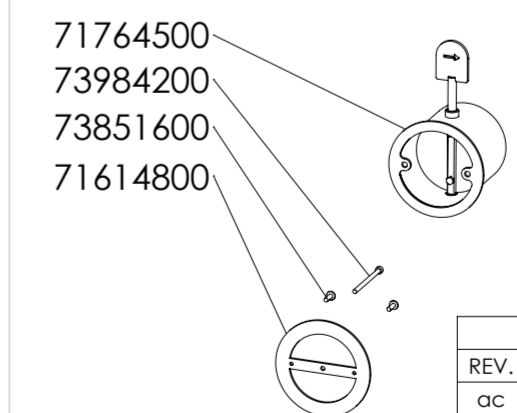
6148



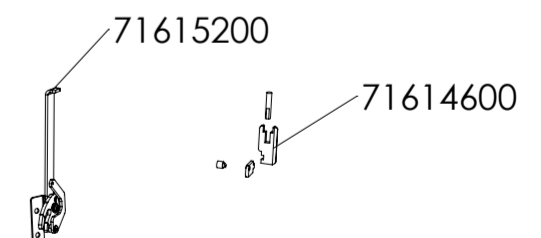
- P - 44611500
- V - 44611521
- 71611500
- 791891
- 731630

- P - 71611500
- V - 54611521

Out side air kit = 54011000
Tilkoblings sæt til friskluft = 54011000



- 71764500
- 73984200
- 73851600
- 71614800

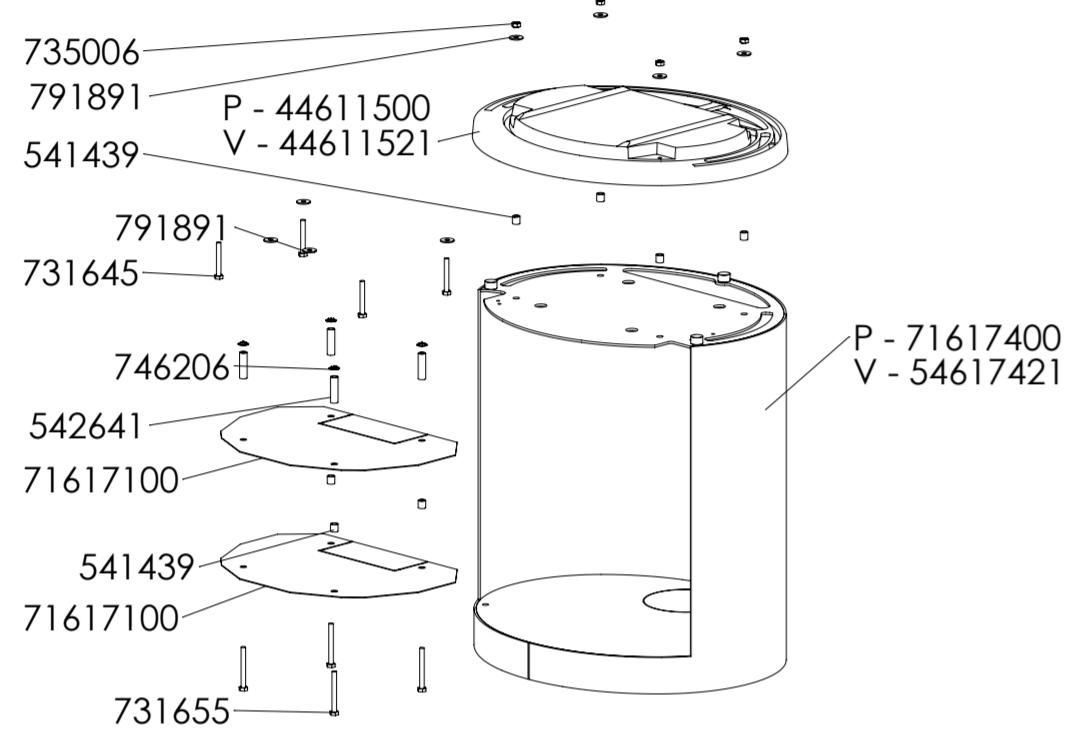
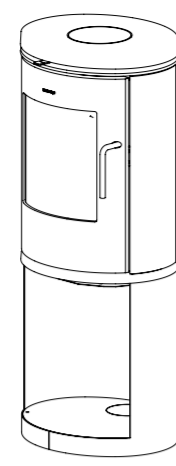


- 71615200
- 71614600

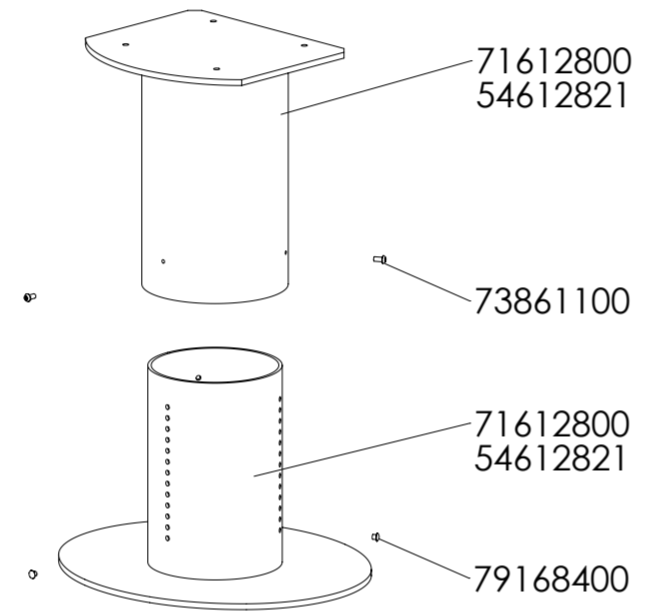
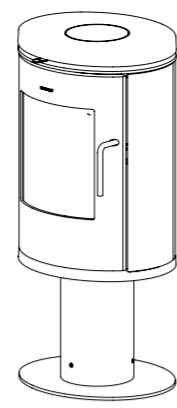
Revision label			
REV.	DESCRIPTION	DATE	APPROVED
ac	Udskiftet skiver	10-01-2019	NRN
ad	Added bolt	04-04-2019	NRN
ae	Added Set Screws For pedestal	15-01-2021	NRN
af	Added base 6143 base door	09/10/2023	NRN

Title:		Construction:	
6100 Exploded view		KDU	15.03.05
Reservedelstegning		Released:	KDU 10.08.06
Morsø 6100		Format:	A2
Material:		Scale:	1:9
Weight:		Itemno.:	-
Model no.:		Drawing no.:	Side 1 of 3
Drawing type:		6100-501 af	
Location of file:		C:\Morsø\PCMA\Project\01\Ovn\6100\6100 Assembly\3D\ASM	

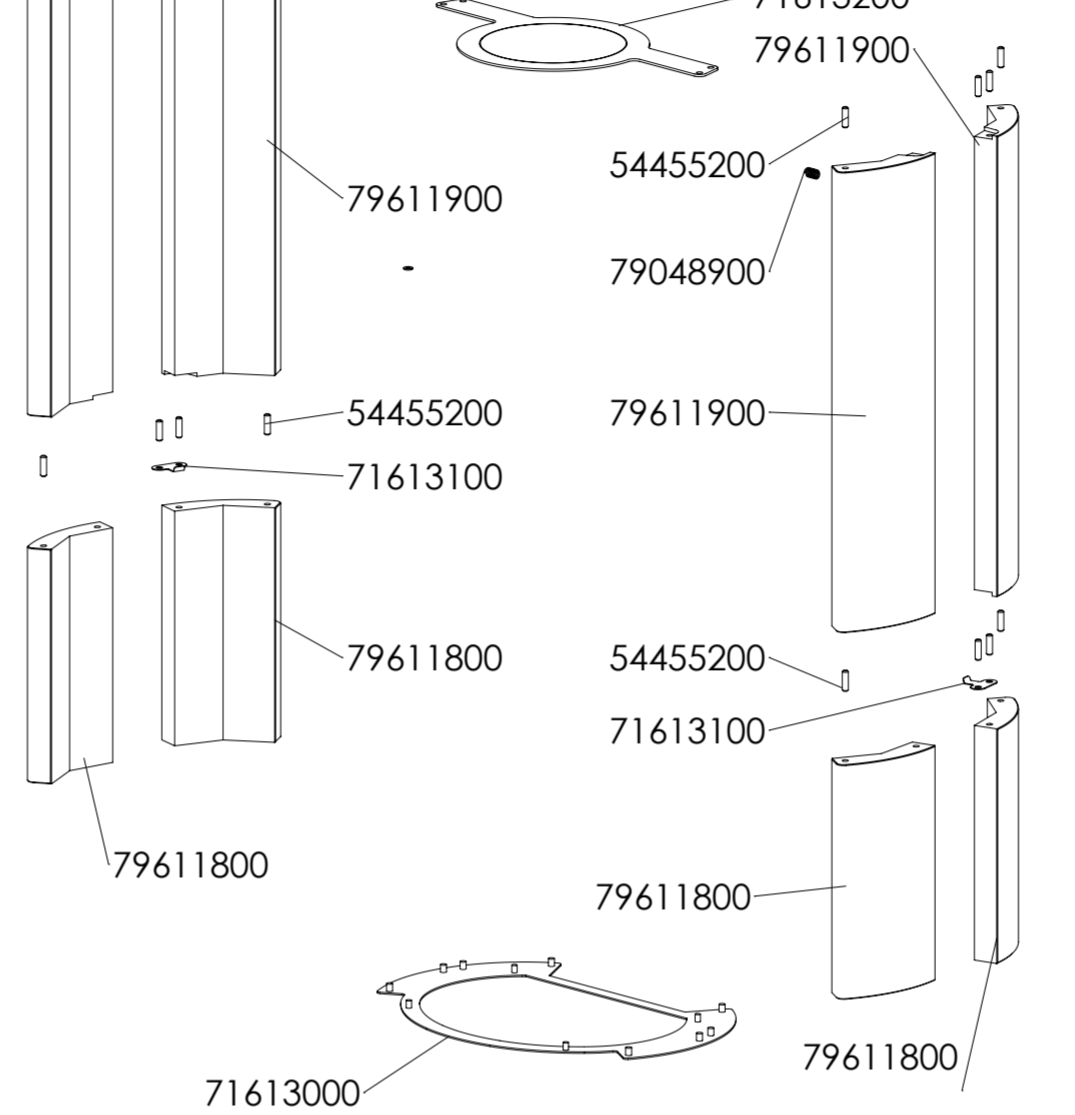
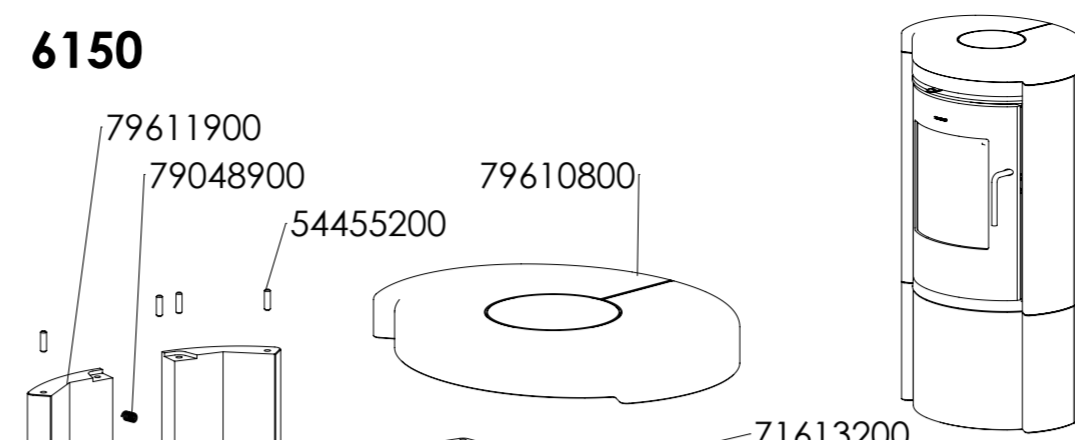
6193
med brændemagasin/
with Log Storage



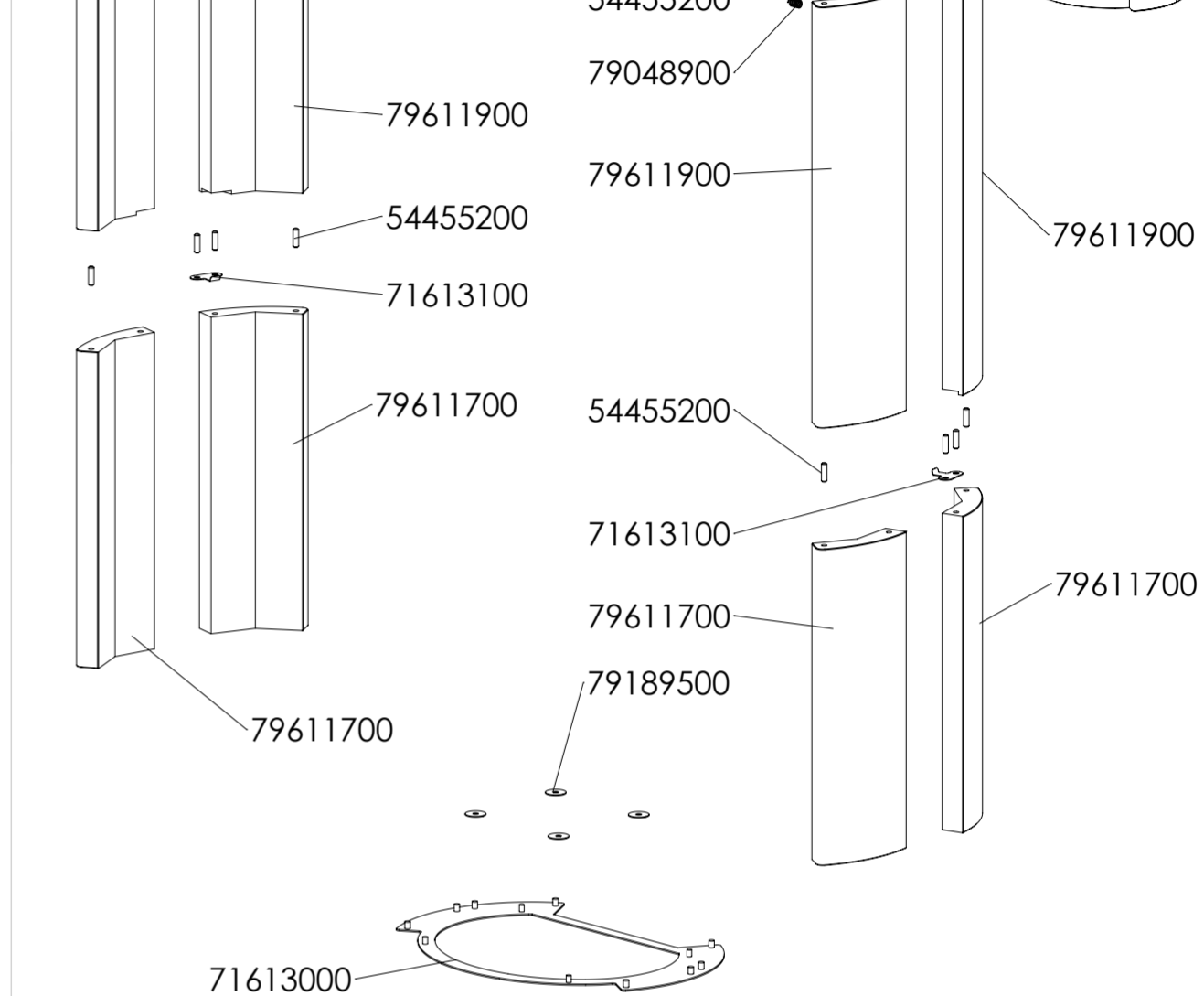
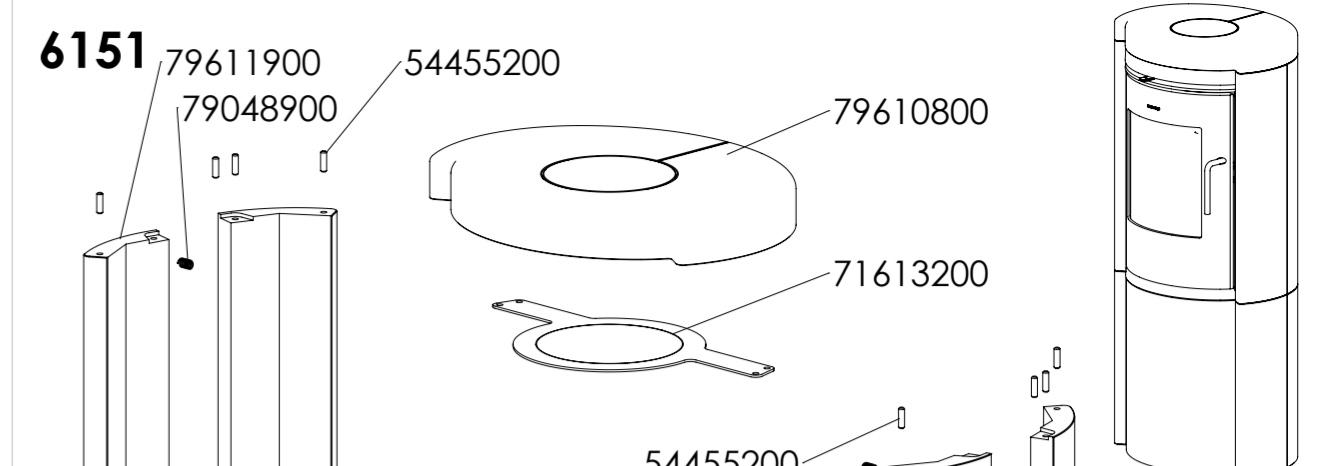
6149



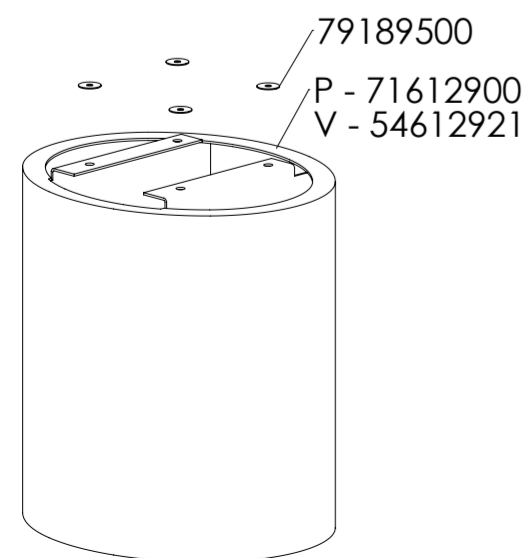
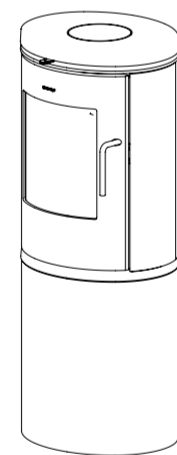
6150



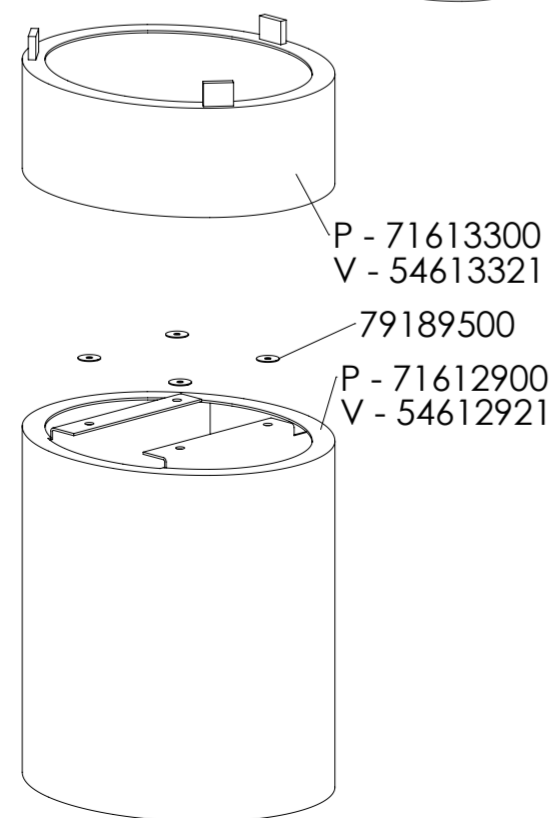
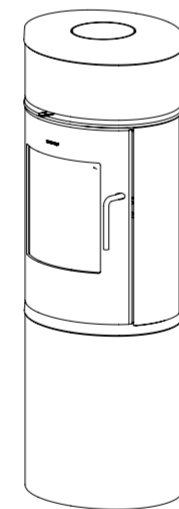
6151



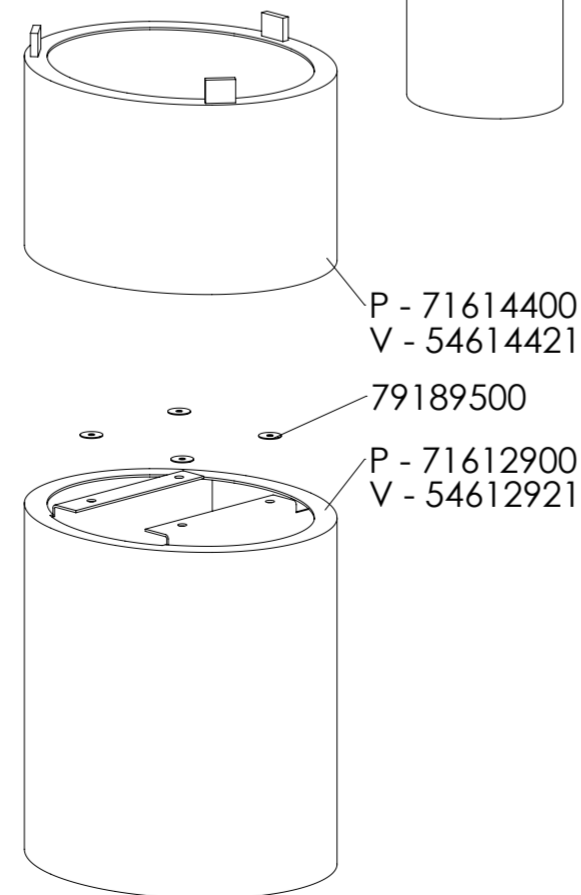
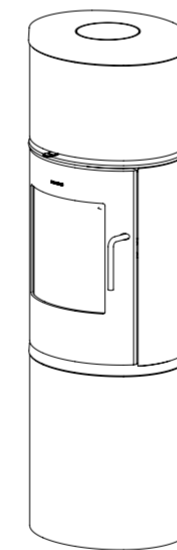
6190



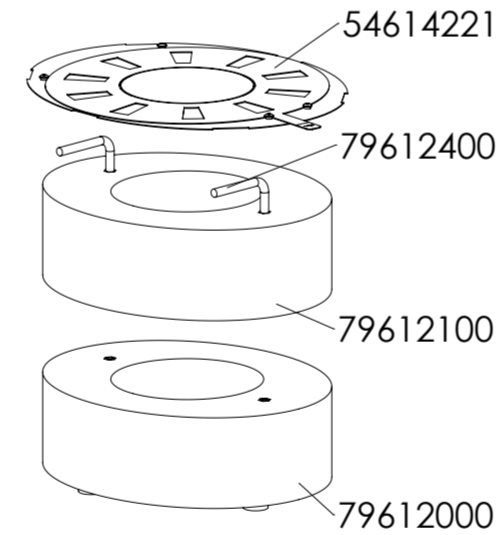
6191



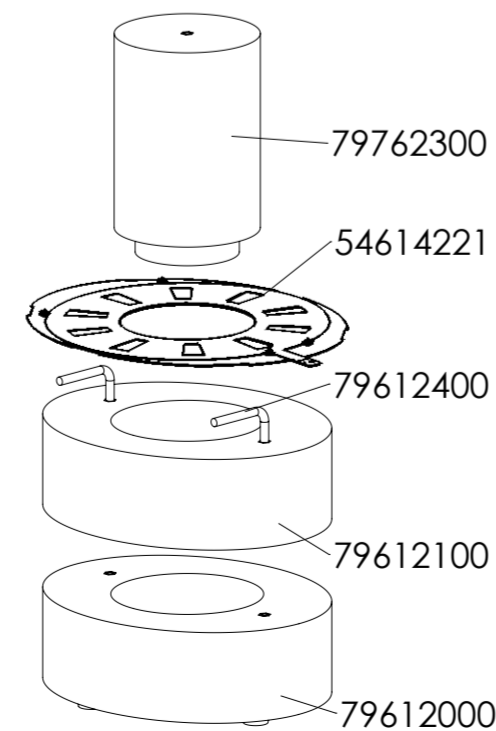
6192



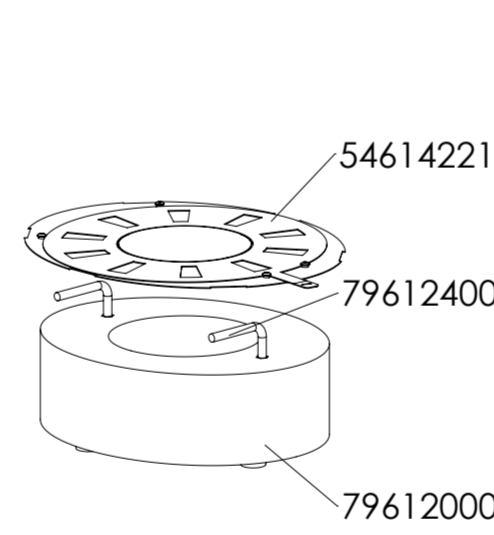
Option 6192 top outlet



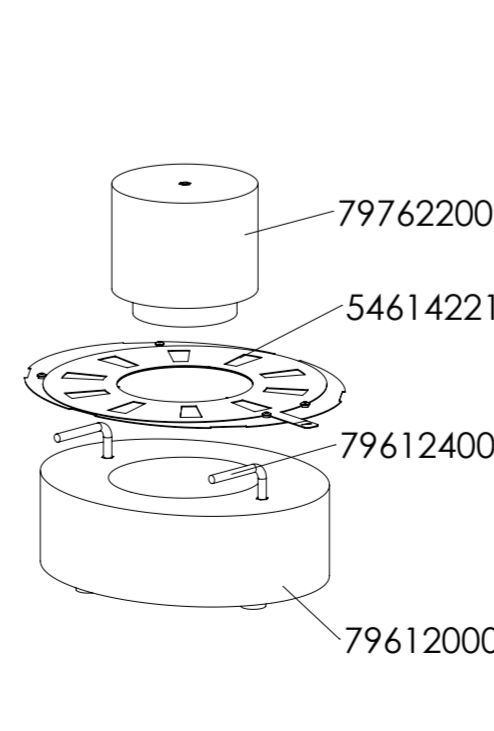
Option 6192 rear outlet



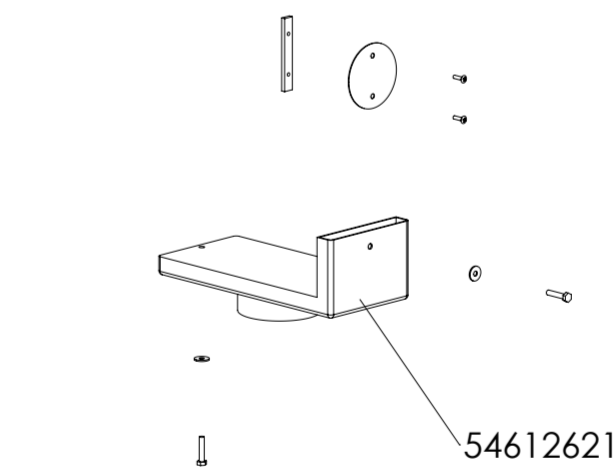
Option 6191 top outlet



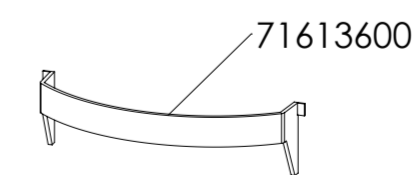
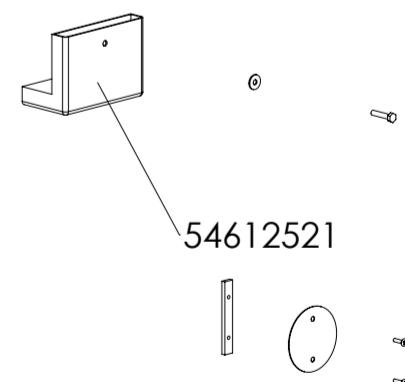
Option 6191 rear outlet



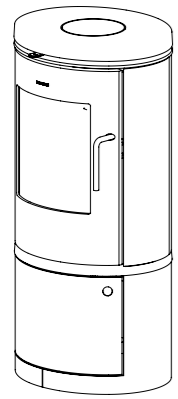
Option 6140-6143-6150-6151-6190-6191-6192



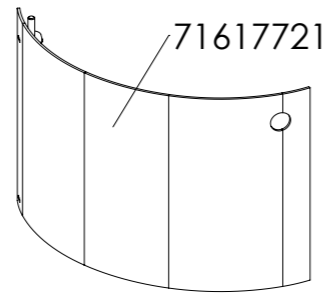
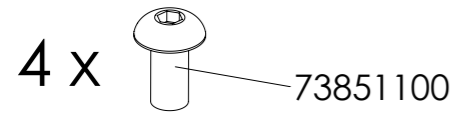
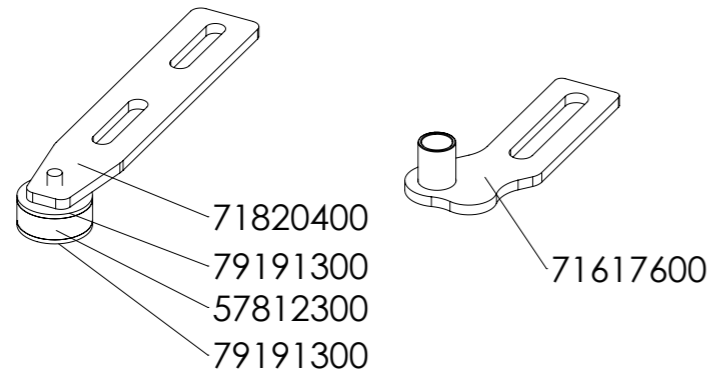
Option 6148-6149



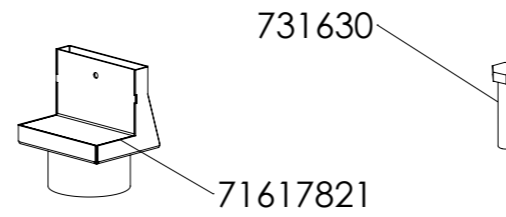
Material:		Sign.:	Date:
Weight:	-	Construction:	KDU 15.03.05
Model no.:	-	Released:	KDU 10.08.06
Drawing type:	-	Format:	A2
Location of file:	C:\Morsø\PC\A\Project\10\100\6100 Assembly\3D\ASM	Scale:	1:9
		Item no.:	-
		Drawing no.:	Side 2 of 3
			6100-501 af



6143 Base door - 54617721




6143 Air kit - 54617821



Date of print: 10/01/2024

Drilling Instructions 7.04.02

Dim. without indication of margin acc. to ISO Norm No.: 8062 CT9	Title:	Drawn by:	KDU	25.01.06
Material:	6100 Exploded view Reservedelstegning Morsø 6100	Last saved:	KDU	10/01/2024
Weight kg.: 115.51		Format:	A3	
Model no.:		Scale:	1:9	
Borefixturer:		Itemno.:		
Drawingtype: Assembly Instructions		Drawing no.:	Side 3 of 3	
Location of file: C:\MorsøPDM\Projects\Ovne\6100\6100 Assembly.SLDASM		6100-501 af		

This drawing is Morsø Jernstøberi A/S' property and must not be sold, lended or copied without any written authorization from the company.