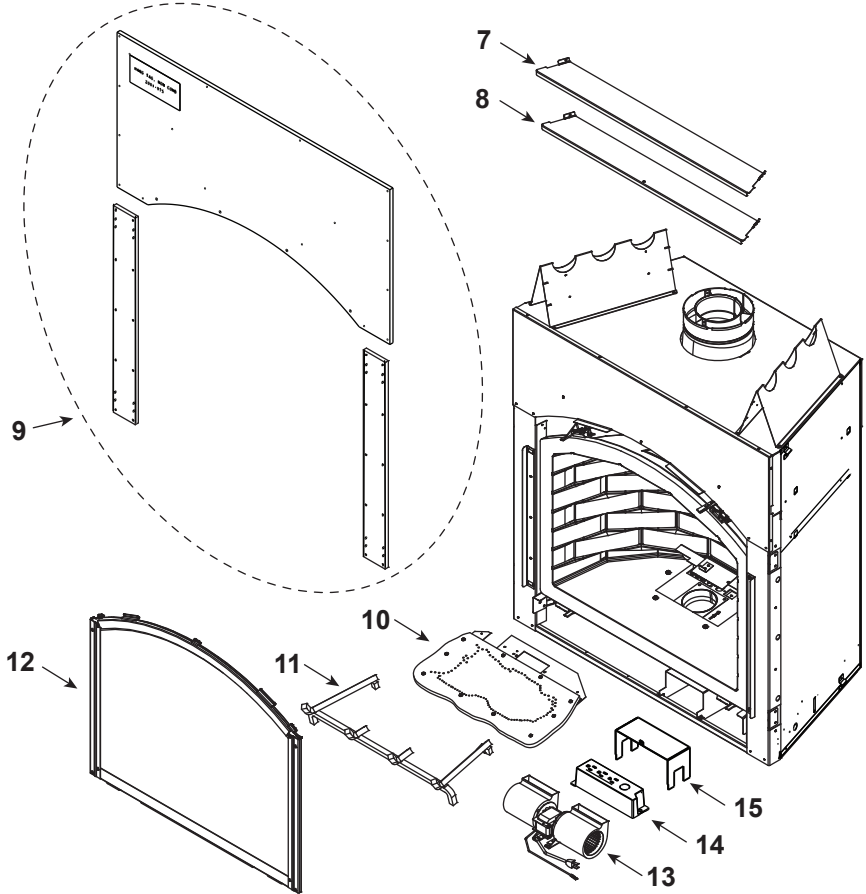
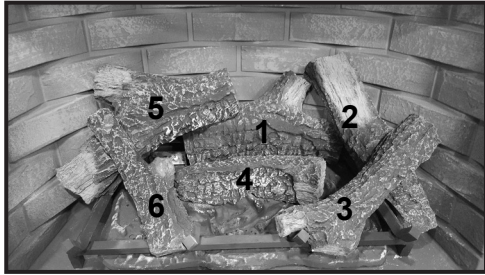


Log Set Assembly



IMPORTANT: THIS IS DATED INFORMATION. Parts must be ordered from a dealer or distributor. **Hearth and Home Technologies does not sell directly to consumers.** Provide model number and serial number when requesting service parts from your dealer or distributor.



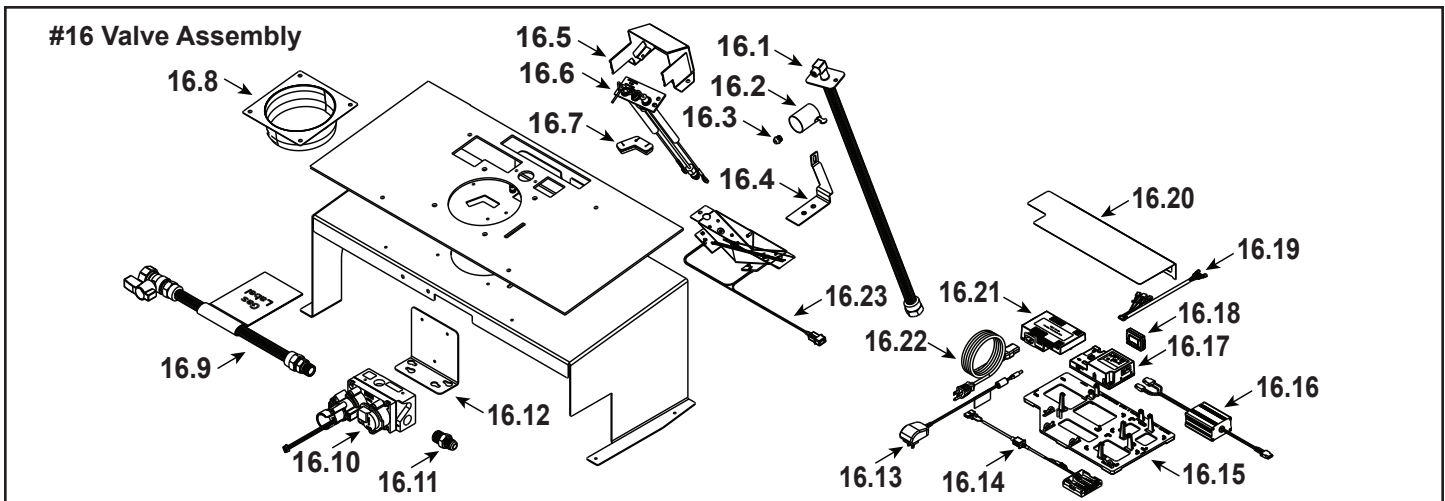
Stocked at Depot

ITEM	DESCRIPTION	COMMENTS	PART NUMBER	
	Log Set Assembly		LOGS-CERONA36	Y
1	Log 1		SRV2106-701	
2	Log 2		SRV2106-703	
3	Log 3		SRV2106-705	
4	Log 4		SRV2106-704	
5	Log 5		SRV2106-702	
6	Log 6		SRV2106-706	
7	Top Header Heat Shield		2106-144	
8	Bottom Header Heat Shield		2106-145	
9	Non-Combustible Board Assembly		2558-019	
10	Burner NG, Propane		2106-003	Y
11	Grate Assembly		SRV2106-006	
12	Glass Door Assembly		GLA-CERONA36	Y
13	Fan Kit		GFK-160A	
14	Junction Box		SRV2326-013	Y
15	Heat Shield, Junction Box		2106-130	

No one builds a better fire

Beginning Manufacturing Date: Feb 2021

Ending Manufacturing Date: Active



IMPORTANT: THIS IS DATED INFORMATION. Parts must be ordered from a dealer or distributor. **Hearth and Home Technologies does not sell directly to consumers.** Provide model number and serial number when requesting service parts from your dealer or distributor.



Stocked at Depot

ITEM	DESCRIPTION	COMMENTS	PART NUMBER	
16.1	Flexible Gas Connector		530-302A	Y
16.2	Shutter Sleeve		2026-130	Y
16.3	Orifice NG (#32)		SRV582-832	Y
	Orifice Propane (#50)		582-850	Y
16.4	Shutter Bracket Assembly		2558-010	Y
16.5	Pilot Bracket		2106-135	
16.6	Pilot Assembly NG		2106-009	Y
	Pilot Assembly Propane	Convert 2106-009 with SRV593-527		Y
16.7	3-Hole Grommet		2201-420	
16.8	Collar 4"		2081-140	
16.9	Flex Ball Valve Assembly		SRV302-320	Y
16.10	Valve NG		SRV2166-302	Y
	Valve Propane		2166-303	Y
16.11	Male Connector	Pkg of 5	303-315/5	Y
16.12	Valve Bracket		2106-107	
16.13	Transformer, 6V Wall		SRV2326-131	Y
16.14	Battery Pack w/USB Cable		SRV2326-142	Y
16.15	Componet Tray		2279-180	
16.16	LED Controller		2166-336	Y
16.17	Module, IFT Control		SRV2326-130	Y
16.18	Module, RF FCC		SRV2326-120	Y
16.19	Harness, IFT 6 Pin Wiring		SRV2326-132	Y
16.20	Heat Shield		2208-120	
16.21	Module, B Type AC		SRV2326-150	Y
16.22	Cable, B Type AC Module		SRV2326-152	Y
16.23	Light Tub Assembly		2558-016	

Additional service part numbers appear on following page.

