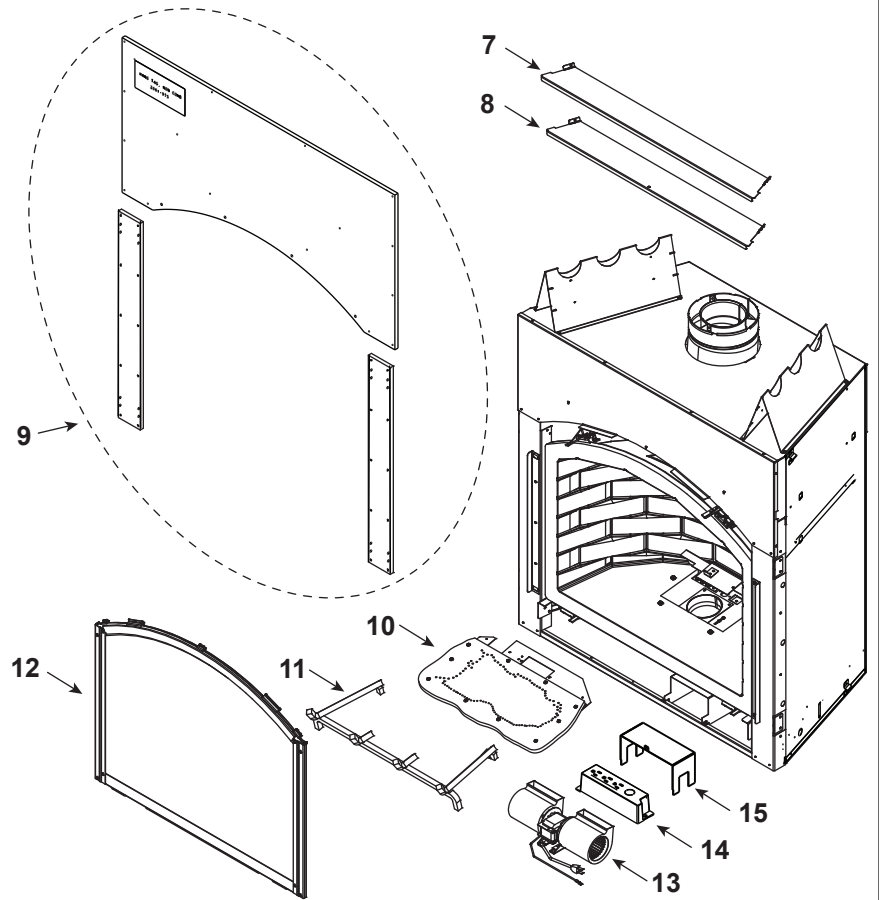


Log Set Assembly



IMPORTANT: THIS IS DATED INFORMATION. Parts must be ordered from a dealer or distributor. **Hearth and Home Technologies does not sell directly to consumers.** Provide model number and serial number when requesting service parts from your dealer or distributor.



Stocked at Depot

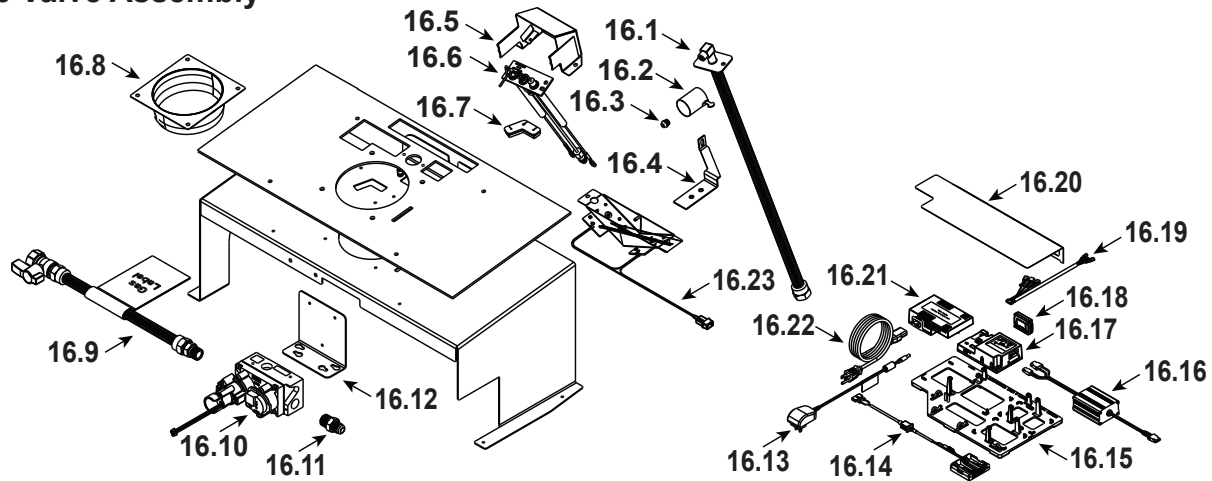
ITEM	DESCRIPTION	COMMENTS	PART NUMBER	
	Log Set Assembly		LOGS-CERONA42	Y
1	Log 1		SRV2107-701	
2	Log 2		SRV2107-702	
3	Log 3		SRV2107-703	
4	Log 4		SRV2107-704	
5	Log 5		SRV2107-705	
6	Log 6		SRV2107-706	
7	Top Header Heat Shield		2107-144	
8	Bottom Header Heat Shield		2107-145	
9	Non-Combustible Board Assembly		2559-019	
10	Burner NG, Propane		2107-003	Y
11	Grate Assembly		SRV2106-006	
12	Glass Door Assembly		GLA-CERONA42	
13	Fan Kit		GFK-160A	
14	Junction Box		SRV2326-013	Y
15	Heat Shield, Junction Box		2106-130	

No one builds a better fire

Beginning Manufacturing Date: Feb 2021

Ending Manufacturing Date: Active

#16 Valve Assembly



IMPORTANT: THIS IS DATED INFORMATION. Parts must be ordered from a dealer or distributor. **Hearth and Home Technologies does not sell directly to consumers.** Provide model number and serial number when requesting service parts from your dealer or distributor.



Stocked at Depot

ITEM	DESCRIPTION	COMMENTS	PART NUMBER	
16.1	Flexible Gas Connector		530-302A	Y
16.2	Shutter Sleeve		2026-130	Y
16.3	Orifice NG (#29)		SRV582-829	Y
	Orifice Propane (#48)		SRV582-848	Y
16.4	Shutter Bracket Assembly		2558-010	Y
16.5	Pilot Bracket		2106-135	
16.6	Pilot Assembly NG		2106-009	Y
	Pilot Assembly Propane	Convert 2106-009 with SRV593-527		Y
16.7	3-Hole Grommet		2201-420	
16.8	Collar 4"		2081-140	
16.9	Flex Ball Valve Assembly		SRV302-320	Y
16.10	Valve NG		SRV2166-302	Y
	Valve Propane		2166-303	Y
16.11	Male Connector	Pkg of 5	303-315/5	Y
16.12	Valve Bracket		2106-107	
16.13	Transformer, 6V Wall		SRV2326-131	Y
16.14	Battery Pack w/USB Cable		SRV2326-142	Y
16.15	Componet Tray		2279-180	
16.16	LED Controller		2166-336	Y
16.17	Module, IFT Control		SRV2326-130	Y
16.18	Module, RF FCC		SRV2326-120	Y
16.19	Harness, IFT 6 Pin Wiring		SRV2326-132	Y
16.20	Heat Shield		2208-120	
16.21	Module, B Type AC		SRV2326-150	Y
16.22	Cable, B Type AC Module		SRV2326-152	Y
16.23	Light Tub Assembly		2558-016	

Additional service part numbers appear on following page.

IMPORTANT: THIS IS DATED INFORMATION. Parts must be ordered from a dealer or distributor. **Hearth and Home Technologies does not sell directly to consumers.** Provide model number and serial number when requesting service parts from your dealer or distributor.



**Stocked
at Depot**

ITEM	DESCRIPTION	COMMENTS	PART NUMBER	
	Elbow Heat Shield Assembly		2106-084	
	Elbow Heat Shield		2106-290	
	Heat Shield		2106-291	
	Fiber Patch Kit		PATCHKIT-FB	
	Touch Up Paint Fiber		TG-KIT	
	Fiberglass Rope		060-455	
	Glass Latch Assembly	Qty 4 req	2382-400	
	Mineral Wool		050-721	
	Screw Bag		2062-110-23	Y
	Touch UP Paint -Fiber box		TUP-GBK-12	
	Vermiculite Embers		MYSTIC-EMBERS	
	Vertical Restrictor		2106-141	
	Wires, 2 in Male to Male		SRV2012-206	Y
	Wire, Wall Switch		SRV2095-550	Y
	Conversion Kit NG		NGK-CERONA42IFT	Y
	Conversion Kit Propane		LPK-CERONA42IFT	Y
	Pilot Orifice NG		SRV593-528	Y
	Pilot Orifice Propane		SRV593-527	Y
	Regulator NG		NGK-DXV-50	Y
	Regulator Propane		SRVLPK-DXV-50	Y