

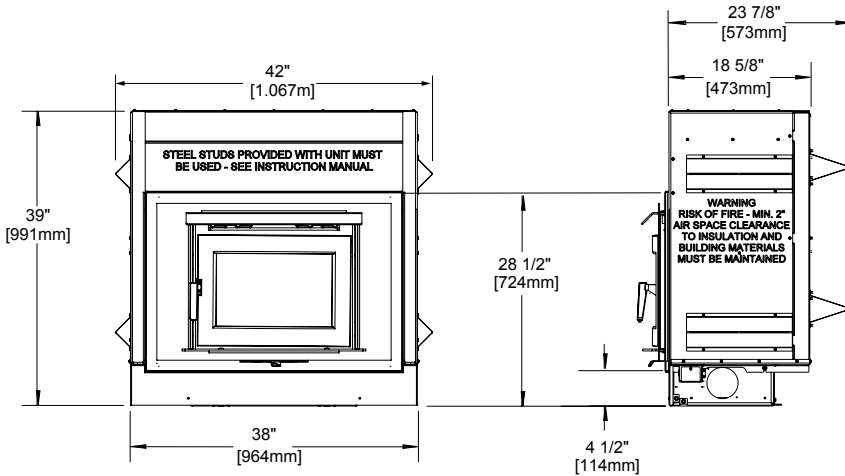


FP16 LE

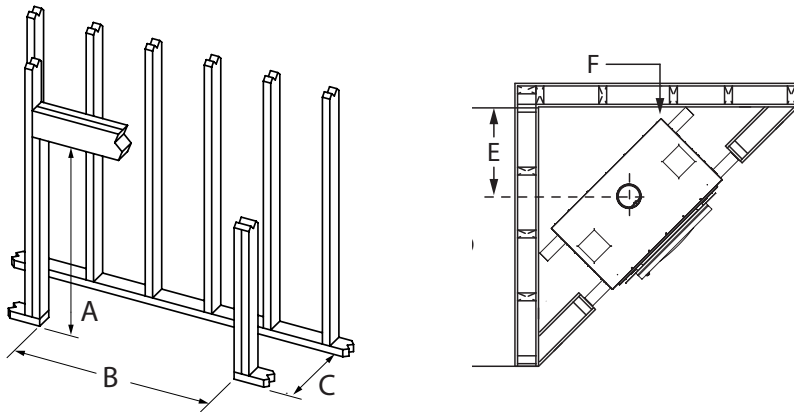
FOR MEDIUM TO LARGE SPACES



UNIT DIMENSIONS



FRAMING DIMENSIONS



| | |
|---|---------|
| A | 55 1/2" |
| B | 42" |
| C | 24" |
| D | |
| E | 21 1/2" |
| F | |

TECHNICAL DATA

70,000 BTU Cord Wood

47,000 BTU EPA Test Fuel

Efficiency (LHV) 68%
 Emissions 1.4 gm/hr.
 Log Size (recommended) 16"
 Log Size (max) 17"
 Firebox Size 1.6 cu.ft.
 Glass Viewing Area 173 sq.in.
 Weight 480 lb.

CLEARANCES

| | |
|--|-----------------|
| Minimum distance to the underside of the Mantel (4" deep) from the top of the Heat Exchanger Air Deflector. | 20 3/4" (530mm) |
| Minimum distance to the adjacent wall from the side of the fireplace door. | 15" (380mm) |
| Minimum distance to the Mantel side facing (max 4" deep) from the side of the fireplace door. | 12" (305mm) |
| Minimum width of floor protection from side of door opening. | 8" (200mm) |
| Minimum depth of non-combustible ember protector: from the front of the fireplace. | 18" (455mm) |