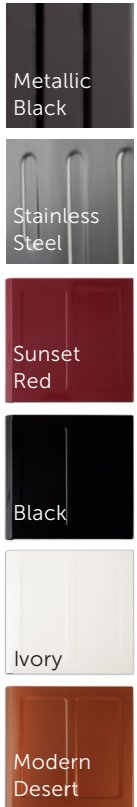


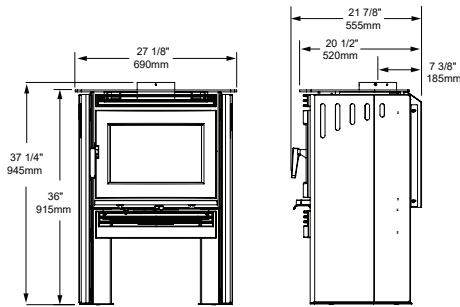


NEO 1.6 LE

FOR SMALL TO MEDIUM SPACES



UNIT DIMENSIONS



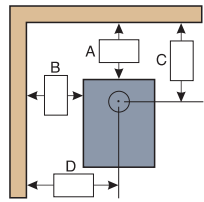
TECHNICAL DATA

23,200 BTU EPA Test Fuel

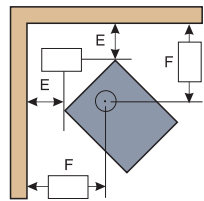
Efficiency (HHV)	72%
Emissions	1.9 gm/hr.
Log Size (recommended)	16"
Log Size (max)	18"
Firebox Size	1.6 cu.ft.
Viewing Area	173 sq.in.

CLEARANCES TO COMBUSTIBLES

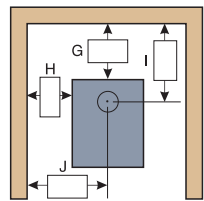
From top of stove to ceiling: **48"**



STRAIGHT



CORNER



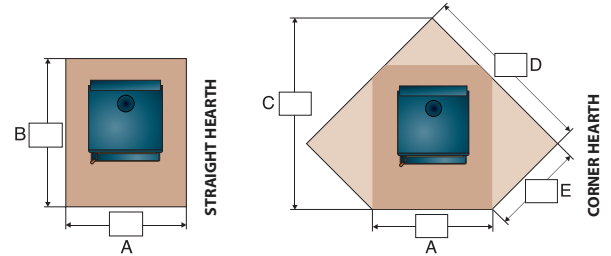
ALCOVE

	RESIDENTIAL SINGLE WALL	RESIDENTIAL DOUBLE WALL	MOBILE HOME DOUBLE WALL
A	10"	8"	8"
B	10"	8"	8"
C	17 3/8"	15 3/8"	15"
D	23 1/2"	15 3/8"	22"

E	7"	5"	5"
F	20"	18"	18"

G	10"	8"	8"
H	10"	8"	8"
I	17 3/8"	15 3/8"	15"
J	23 1/2"	15 3/8"	22"

FLOOR PROTECTOR DIMENSIONS



	MINIMUM	RESIDENTIAL SINGLE WALL	RESIDENTIAL DOUBLE WALL	ALCOVE DOUBLE WALL	MOBILE HOME	
CANADA	A	43"	43"	43"	43"	
	B	45"	47"	45"	45"	
	C	-	58"	55"	-	55"
	D	-	56"	54"	-	54"
	E	-	25 5/8"	23 5/8"	-	23 5/8"

USA	A	33"	33"	33"	33"	
	B	35"	45"	43"	43"	43"
	C	-	56"	53"	-	53"
	D	-	51"	49"	-	49"
	E	-	27 5/8"	25 5/8"	-	25 5/8"