

MAJESTIC

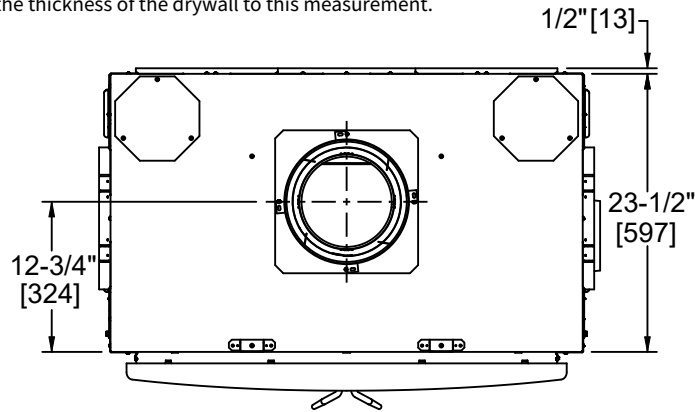
Please consult the manufacturer's installation manual for all details and requirements before making a final design layout decision.

PIONEER II-C
EPA Wood-burning Fireplace

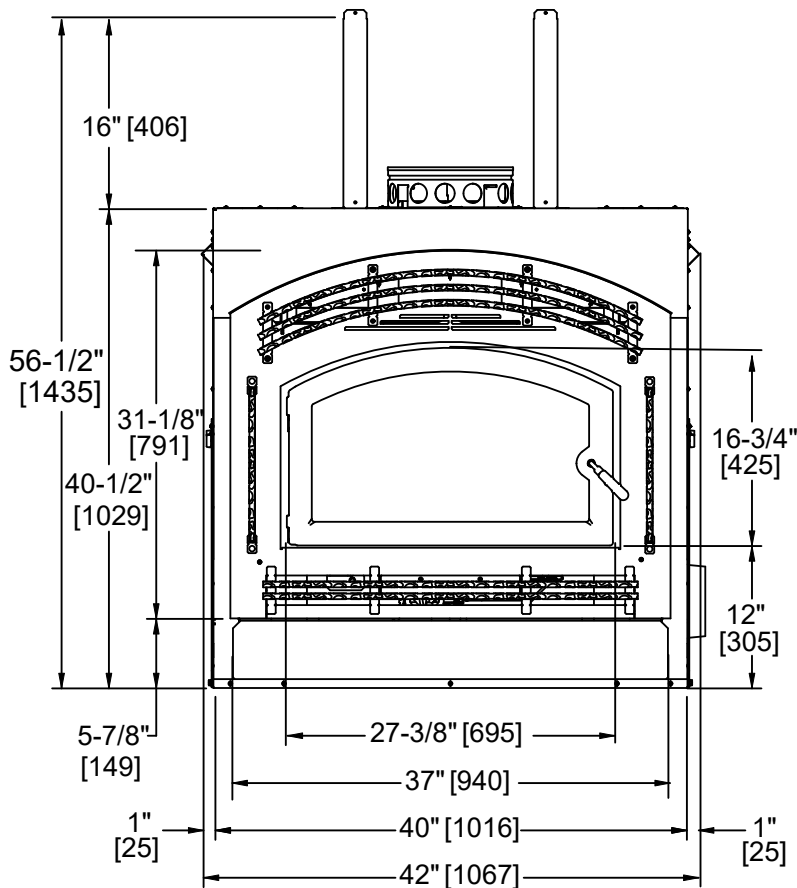


| MODEL | FRONT WIDTH | | BACK WIDTH | | HEIGHT | | DEPTH | | VIEWING AREA |
|--------------|-------------|---------|------------|---------|--------|---------|--------|---------|--------------|
| | Actual | Framing | Actual | Framing | Actual | Framing | Actual | Framing | |
| Pioneer-II-C | 40 | 42-1/2 | 40 | 42-1/2 | 40-1/2 | 56-3/4 | 23-1/2 | 24* | 296 sq in |

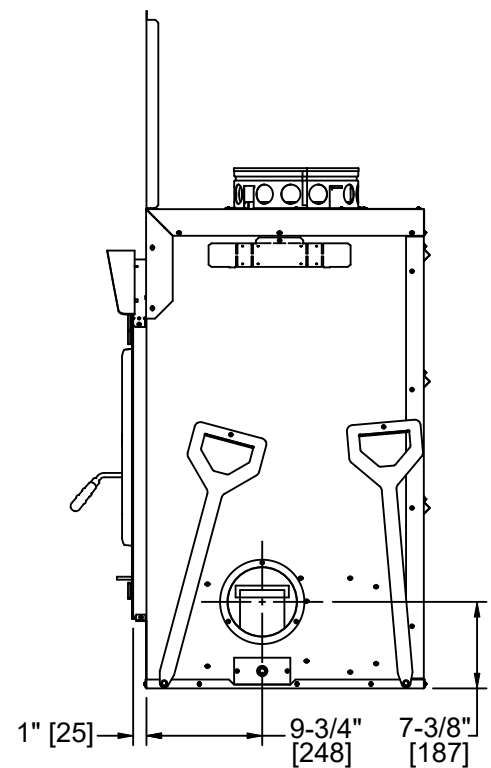
*If interior of chase will be drywalled, add the thickness of the drywall to this measurement.



TOP VIEW

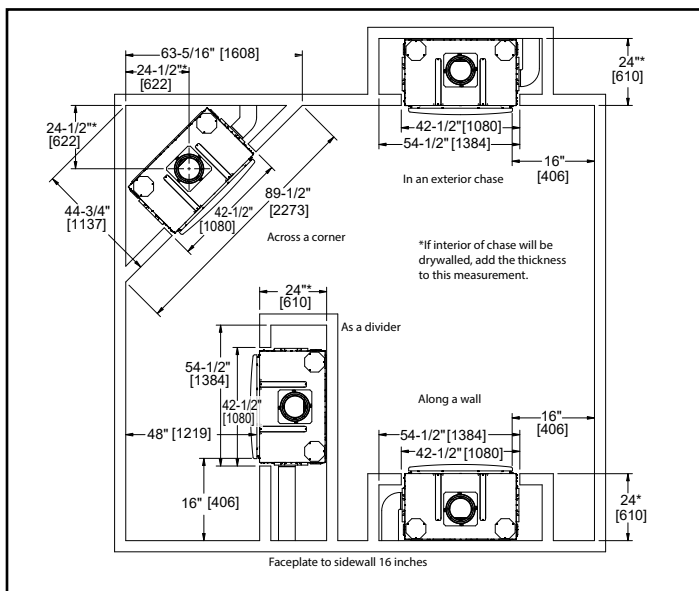


FRONT VIEW

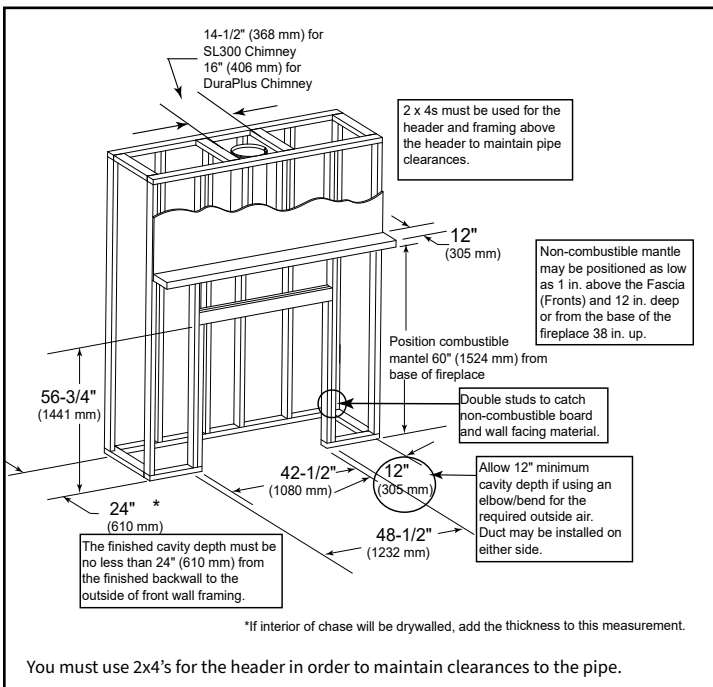


SIDE VIEW

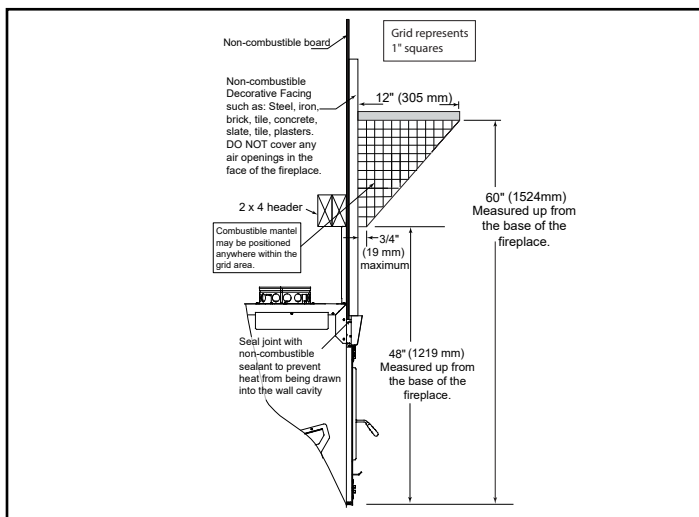
APPLIANCE LOCATION



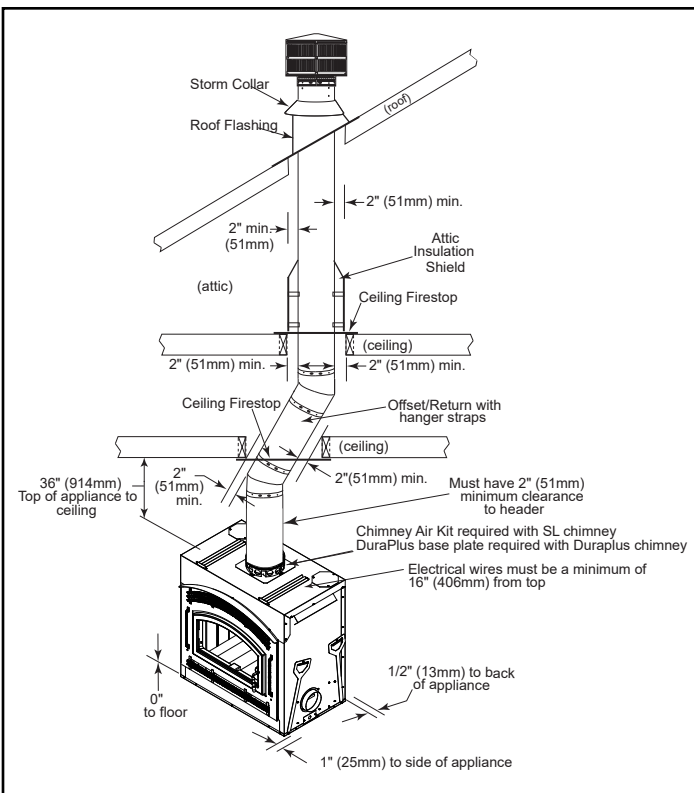
FRAMING DIMENSIONS



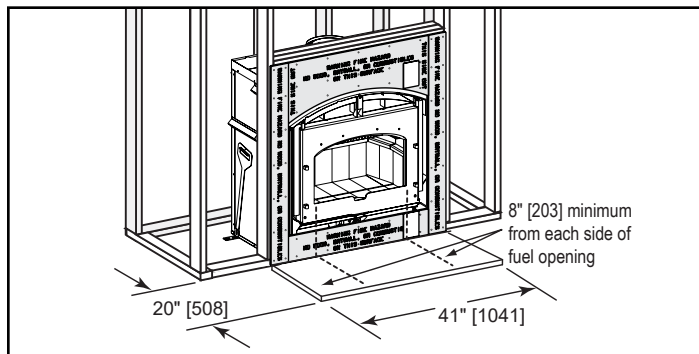
MANTEL PROJECTIONS



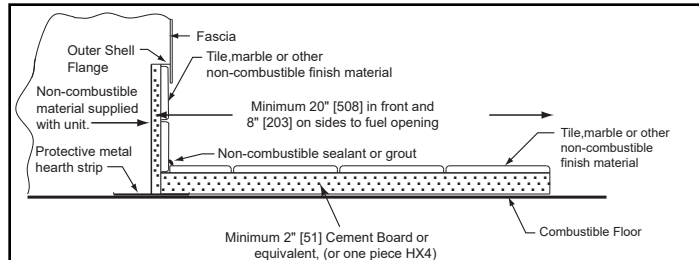
CLEARANCE TO COMBUSTIBLES



HEARTH EXTENSIONS



HEARTH EXTENSION CONSTRUCTION



See install manual figure 7.8 for raised hearth extension.

| PRODUCT LISTING CODES | |
|-----------------------|------------------------|
| US | UL127-2011 (UM) 84-HUD |
| Canada | ULC-S610-M87 (A1998) |

Product information provided is not complete and is subject to change without notice. Product installation must adhere strictly to instructions accompanying product to avoid risk of fire and potential injury.

Additional information can be found online at www.majesticproducts.com

MAJESTIC

Lakeville, MN Web: majesticproducts.com
Phone: 800-926-4356

