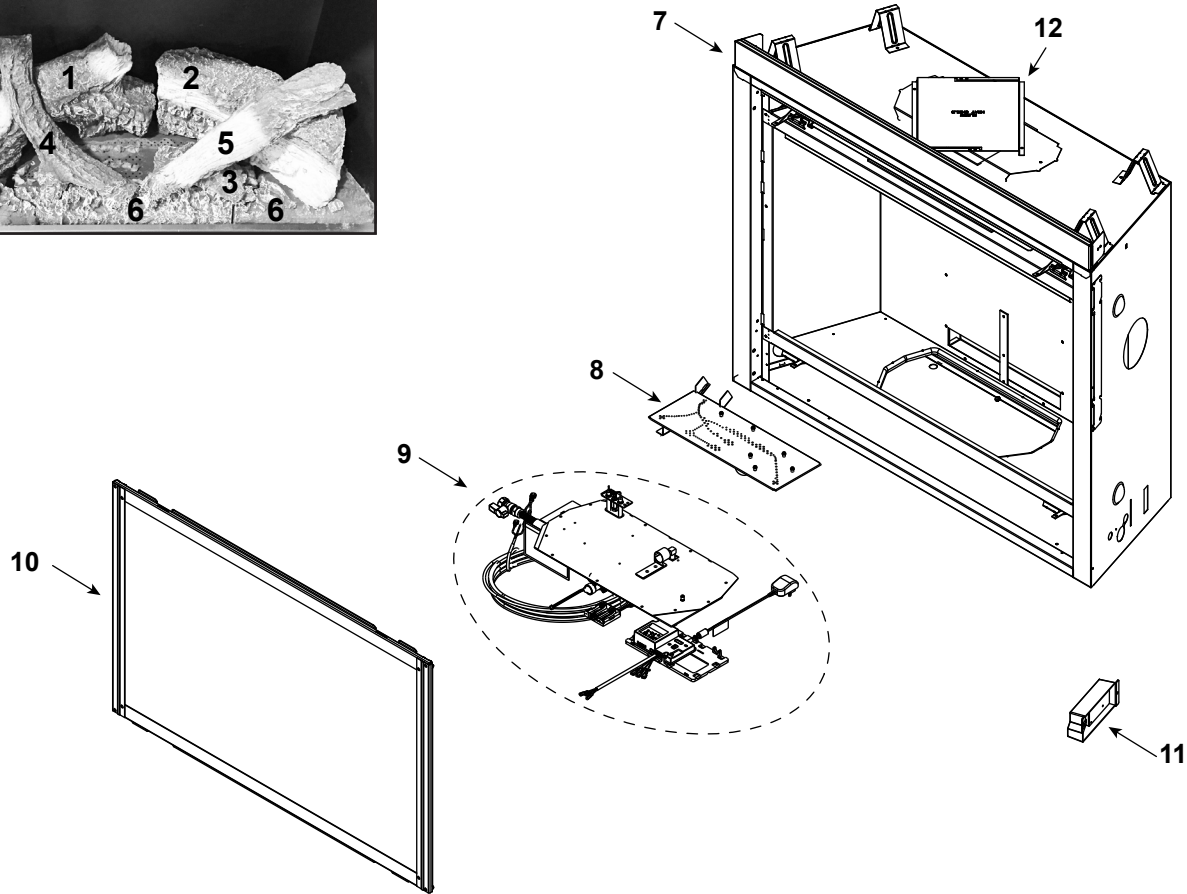
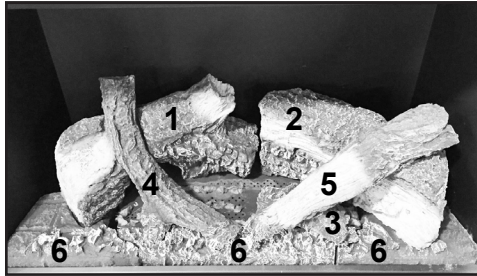


Log Set Assembly



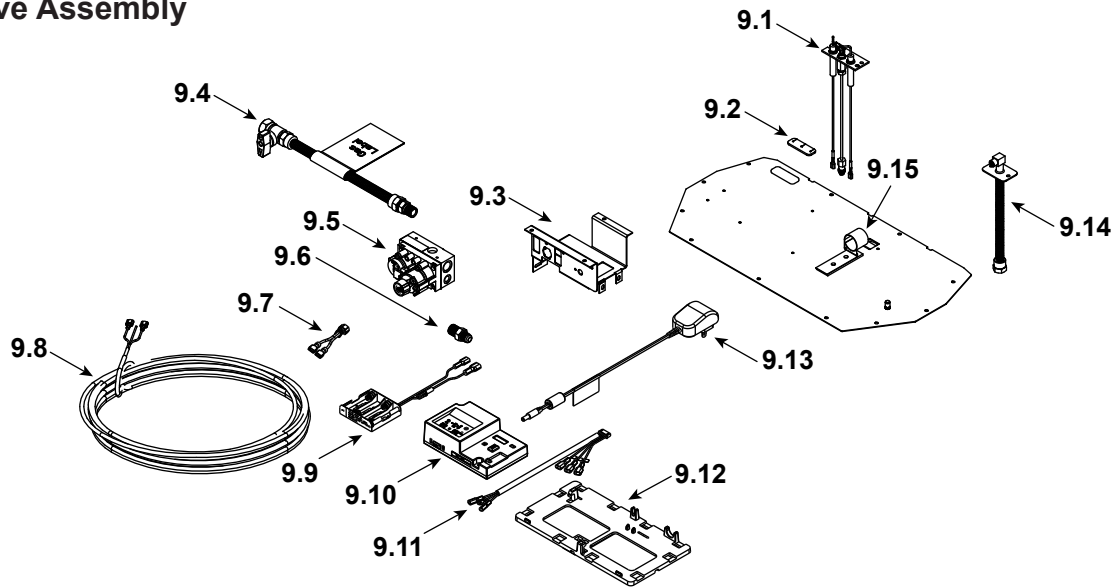
IMPORTANT: THIS IS DATED INFORMATION. Parts must be ordered from a dealer or distributor. **Hearth and Home Technologies does not sell directly to consumers.** Provide model number and serial number when requesting service parts from your dealer or distributor.



Stocked at Depot

ITEM	DESCRIPTION	COMMENTS	PART NUMBER	
	Log Set Assembly	Hearth Sold Separately	LOGS-SL7	Y
1	Rear Left Log		SRV2392-707	
2	Rear Right Log		SRV2392-708	
3	Burner Log		SRV2392-709	
4	Top Left Log		SRV2392-711	
5	Top Right Log		SRV2392-710	
6	Hearth Assembly (Left, Middle, & Right)		SRVHEARTH-SL7	
7	Drywall Support		2392-119	
8	Burner Assembly		2392-007	Y
9	Valve Assembly		See following page	
10	Glass Door Assembly		GLA-750TR	Y
11	Junction Box		SRV4021-013	Y
12	Elbow Heat Shield		385-290	

#9 Valve Assembly



IMPORTANT: THIS IS DATED INFORMATION. Parts must be ordered from a dealer or distributor. **Hearth and Home Technologies does not sell directly to consumers.** Provide model number and serial number when requesting service parts from your dealer or distributor.



Stocked at Depot

ITEM	DESCRIPTION	COMMENTS	PART NUMBER	
9.1	Pilot Assembly NG		2106-169	Y
	Pilot Assembly Propane		2106-170	Y
	Pilot Tube		SRV485-301	Y
9.2	3-Hole Grommet		SRV2118-420	
9.3	Valve Bracket		2118-104	
9.4	Flex Ball Valve Assembly		SRV302-320	Y
9.5	Valve NG		SRV2166-302	Y
	Valve Propane		2166-303	Y
9.6	Male Connector	Pkg of 5	303-315/5	
9.7	Jumper Wire		SRV2187-198	Y
9.8	Thermostat Wire Assembly		SRV2118-170	Y
9.9	Battery Pack**		SRV2326-134	Y
9.10	Module, IFT Control		SRV2326-130	Y
9.11	Wire Harness, IFT 6 Pin		SRV2326-132	Y
9.12	Component Tray		2279-185	
9.13	6 Volt Transformer		SRV2326-131	Y
9.14	Bulkhead w/Flex Tube		SRV7000-156	Y
9.15	Shutter Bracket Assembly		2118-121	
	Orifice NG (#42)		582-842	Y
	Orifice Propane (#54)		SRV582-854	Y

**Fuse for battery pack can be sourced locally, not a warranty item. Specs are 250v, 3A fuse, 3/4" long

Additional service part numbers appear on following page.



Service Parts

SL-7-IFT, SL-7LP-IFT

No one builds a better fire

Beginning Manufacturing Date: March 2020
Ending Manufacturing Date: Active

IMPORTANT: THIS IS DATED INFORMATION. Parts must be ordered from a dealer or distributor.
Hearth and Home Technologies does not sell directly to consumers. Provide model
number and serial number when requesting service parts from your dealer or distributor.



Stocked
at Depot

Table with 5 columns: ITEM, DESCRIPTION, COMMENTS, PART NUMBER, Stocked at Depot. Rows include Exhaust Baffle, Exhaust Restrictor, Finishing Template, Gasket Assembly, Mineral Wool, Touch Up Paint, and a section for CONVERSION KITS.