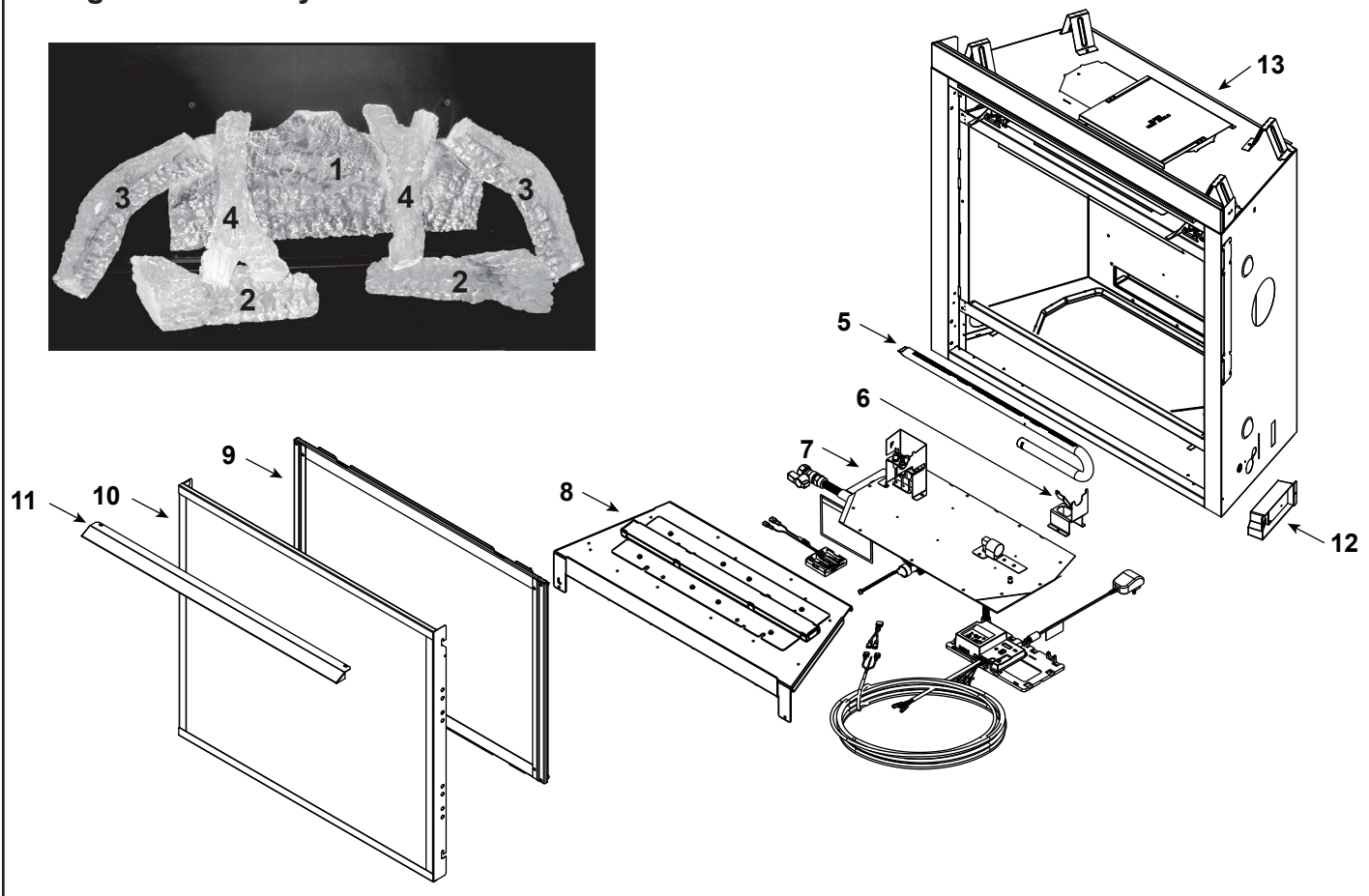
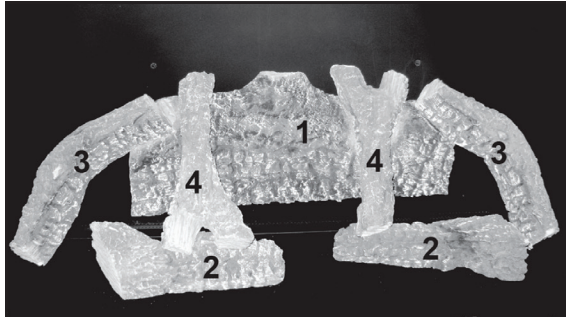


### Log Set Assembly



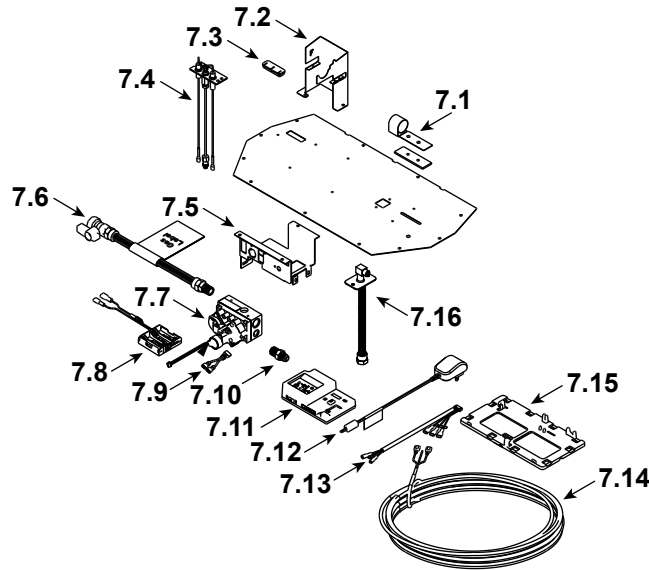
**IMPORTANT: THIS IS DATED INFORMATION.** Parts must be ordered from a dealer or distributor. **Hearth and Home Technologies does not sell directly to consumers.** Provide model number and serial number when requesting service parts from your dealer or distributor.



**Stocked at Depot**

ITEM	DESCRIPTION	COMMENTS	PART NUMBER	Stocked at Depot
	Log Set Assembly		LOGS-750F	Y
1	Log 1		SRV2298-700	
2	Log 2	Qty 2 req	SRV2033-709	
3	Log 3		SRV2033-721	
4	Log 4	Qty 2 req	SRV2033-720	
5	Burner NG, LP		2298-105	Y
6	Burner Leg		2297-103	
7	Valve Assembly		See following page	
8	Base pan		2298-017	
9	Glass Door Assembly		GLA-750TR	Y
10	Firescreen Front		FS-7-BK	Y
11	Hood		2118-230	
12	Junction Box		SRV4021-013	Y
13	Elbow Heat Shield		385-290	

### #7 Valve Assembly



IMPORTANT: THIS IS DATED INFORMATION. Parts must be ordered from a dealer or distributor. **Hearth and Home Technologies does not sell directly to consumers.** Provide model number and serial number when requesting service parts from your dealer or distributor.



**Stocked at Depot**

ITEM	DESCRIPTION	COMMENTS	PART NUMBER	
7.1	Shutter Bracket Assembly		2118-121	Y
7.2	Pilot Bracket		2297-112	
7.3	3-Hole Grommet		SRV2118-420	
7.4	Pilot Assembly NG		SRV2090-012	Y
	Pilot Assembly LP		2090-013	Y
	Pilot Tube		SRV485-301	Y
7.5	Valve Bracket		2118-104	
7.6	Flex Ball Valve Assembly		SRV302-320	Y
7.7	Valve NG		SRV2166-302	Y
	Valve LP		2166-303	Y
7.8	Battery Pack **		SRV2326-134	Y
7.9	Jumper Wire		SRV2187-198	Y
7.10	Male Connector	Pkg of 5	303-315/5	Y
7.11	Module, IFT Control		SRV2326-130	Y
7.12	6 Volt Transformer		SRV2326-131	Y
7.13	Wire Harness, IFT 6 Pin		SRV2326-132	Y
7.14	Thermostat Wire Assembly		SRV2118-170	Y
7.15	Component Tray		2279-185	
7.16	Bulkhead w/Flex Tube		SRV7000-156	Y
	Orifice NG (#42)		582-842	Y
	Orifice LP (#54)		SRV582-854	Y

\*\*Fuse for battery pack can be sourced locally, not a warranty item. Specs are 250v, 3A fuse, 3/4" long

Additional service part numbers appear on following page.

No one builds a better fire

Beginning Manufacturing Date: March 2020

Ending Manufacturing Date: Active

IMPORTANT: THIS IS DATED INFORMATION. Parts must be ordered from a dealer or distributor. **Hearth and Home Technologies does not sell directly to consumers.** Provide model number and serial number when requesting service parts from your dealer or distributor.



Stocked at Depot

ITEM	DESCRIPTION	COMMENTS	PART NUMBER	
	Drywall Support		2392-119	
	Exhaust Baffle		550-155	
	Exhaust Restrictor		530-299	
	Gasket Assembly Contains Burner neck, shutter bracket, vent, seal cap, valve plate, and air passage gaskets		2118-080	
	Glass Latch Assembly	Pkg of 2	2382-400/2	Y
	Heat Shield, Junction Box		2372-127	
	Heat Shield, Header		2118-120	
	Lava Rock		4021-297	
	Rock Placement Jig		2298-113	
	Touch Up Paint		TUP-GBK-12	
	Valve Plate Cover		2188-101	
	Shoulder Bolt	Pkg of 25	319-835-25	
	Conversion Kit NG		NGK-SL-IFT	Y
	Conversion Kit LP		LPK-SL-IFT	Y
	Pilot Orifice NG		SRV593-528	Y
	Pilot Orifice LP		SRV593-527	Y
	Regulator NG		NGK-DXV-50	Y
	Regulator LP		SRVLPK-DXV-50	Y