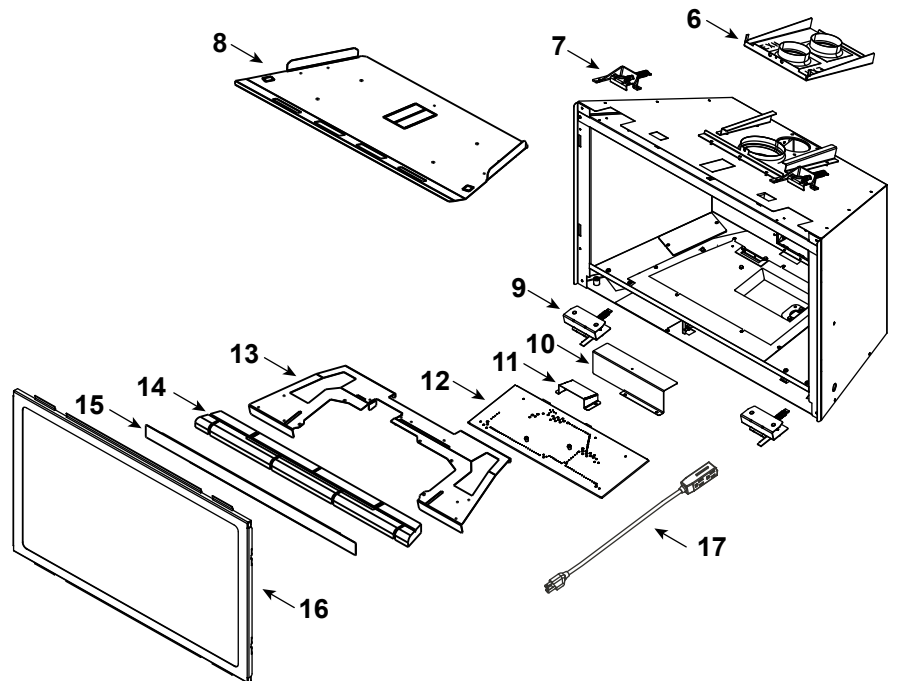


Traditional Log Set Assembly



Birch Log Set Assembly



IMPORTANT: THIS IS DATED INFORMATION. Parts must be ordered from a dealer or distributor. **Hearth and Home Technologies does not sell directly to consumers.** Provide model number and serial number when requesting service parts from your dealer or distributor.

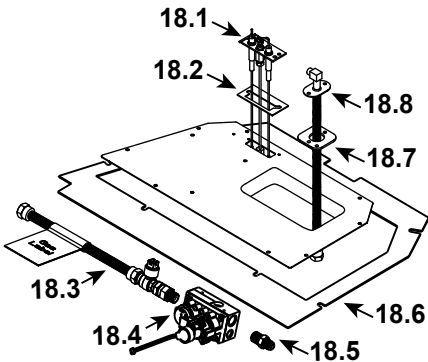


Stocked at Depot

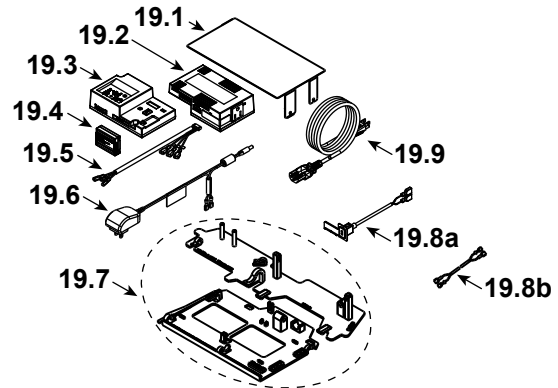
ITEM	DESCRIPTION	COMMENTS		PART NUMBER	
		Traditional	Birch		
	Log Assembly (Hearth Refractory not Included)	LOGS-2532	LOGS-2532-BIRCH		Y
1	Log 1	SRV2532-711	SRV2532-741		
2	Log 2	SRV2532-712	SRV2532-742		
3	Log 3	SRV2532-713	SRV2532-743		
4	Log 4	SRV2532-714	SRV2532-744		
5	Log 5	SRV2532-715	SRV2532-745		
6	Slide Plate Assembly		2532-014		
	Tool, Slide Plate (Multi-purpose)		2532-140		
	Gasket		2532-113		
7	Glass Clip Assembly, Top	Qty 2 req	2155-046		
8	Baffle, Firebox		2532-138		
9	Glass Clip Assembly, Bottom	Qty 2 req	2532-009		
10	Air Scoop		2532-135		
11	Pilot Shield		2532-153		
12	Burner Assembly		2532-007		Y
13	Base Pan		2532-130		
14	Hearth Refractory (Not for use with BRICK-MI30-TR/BRICK-MI30-HB)		SRV2542-704		
15	Seal, Glass Frame		2532-122		
16	Glass Door Assembly		GLA-2532		Y
17	Power Cord		2201-024		Y
	Fan		GFK-160A		Y

No one builds a better fire

#18 Valve Assembly



#19 Component Tray



IMPORTANT: THIS IS DATED INFORMATION. Parts must be ordered from a dealer or distributor. **Hearth and Home Technologies does not sell directly to consumers.** Provide model number and serial number when requesting service parts from your dealer or distributor.



Stocked at Depot

ITEM	DESCRIPTION	COMMENTS	PA	
18.1	Pilot Assembly NG		2550-013	Y
	Pilot Assembly Propane		2550-014	Y
18.2	Pilot Gasket		2532-134	
18.3	Flex Ball Valve Assembly		2532-081	Y
18.4	Valve NG		SRV2166-302	Y
	Valve Propane		2166-303	Y
18.5	Male Connector	Pkg of 5	303-315/5	Y
18.6	Gasket, Valve Plate		2532-131	
18.7	Gasket, Bulkhead		438-407	
18.8	Bulkhead w/Flex Tube		SRV7000-156	Y
	Orifice NG (#35C)		SRV582-835	Y
	Orifice Propane (#51C)		SRV582-851	Y
19.1	Component Heat Shield		2532-144	Y
19.2	Module, B Type AC		SRV2326-150	Y
19.3	Module, IFT Control		SRV2326-130	Y
19.4	Module, RF FCC		SRV2326-120	Y
19.5	Harness, IFT 6 Pin Wiring		SRV2326-132	Y
19.6	6 Volt DC Power Adapter	Post LC5818239	2326-191	Y
	Transformer, 6 Volt Wall	Pre LC5818239	SRV2326-131	Y
	Jumper Wire, 36" Male/Female	Pre LC5818239	2159-310	Y
	Wall Switch Jumper Wire	Pre LC5818239	SRV2179-300	Y
19.7	Tray, Component & Wire		2532-172	Y
19.8a	Assembly, USB-C Bracket	SN Range LC5673022 - LC6494692	2532-301	Y
19.8b	40" Wire Harness	Post LC6494692	SRV2531-140	Y
19.9	Cable, B Type AC Module		SRV2326-152	Y

Additional service part numbers appear on following page.



SUPREME-I30-IFT/SUPRM-I30LP-IFT/SUPREME-I30-BIR

No one builds a better fire

Service Parts

Beginning Manufacturing Date: March 2019
Ending Manufacturing Date: Active

IMPORTANT: THIS IS DATED INFORMATION. Parts must be ordered from a dealer or distributor. **Hearth and Home Technologies does not sell directly to consumers.** Provide model number and serial number when requesting service parts from your dealer or distributor.



Stocked at Depot

ITEM	DESCRIPTION	COMMENTS	PART NUMBER	Stocked at Depot
	Battery Pack**	Pre 5673022	SRV2326-134	Y
		Post LC5673022	SRV2326-142	
	Bolt, Level Leg	Qty 4 req	2073-162/24	Y
	Fan Dampener		SRV2532-686	
	Back Cover Plate (Fan Access)		SRV2532-166	
	Jumper Wires		SRV2187-198	Y
	Mineral Wool		050-721	
	RC400 Remote		SRV2326-110	Y
	Screw, Bottom Glass Clip	Qty 4 req	419-802/24	Y
	Touch up Paint		TUP-GBK-12	Y
	Vermiculite Embers		MYSTIC-EMBERS	
Conversion Kits				
	Conversion Kit NG		NGK-MI-IFT	Y
	Conversion Kit Propane		LPK-MI-IFT	Y
	Pilot Orifice NG		SRV593-528	Y
	Pilot Orifice Propane		593-526	Y
	Regulator NG		NGK-DXV-50	Y
	Regulator Propane		SRVLPK-DXV-50	Y

**Fuse for battery pack can be sourced locally, not a warranty item. Specs are 250v, 3A fuse, 3/4" long