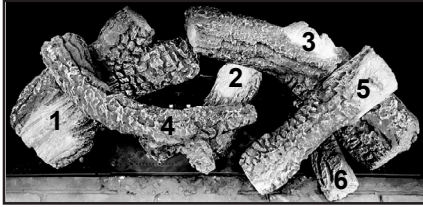
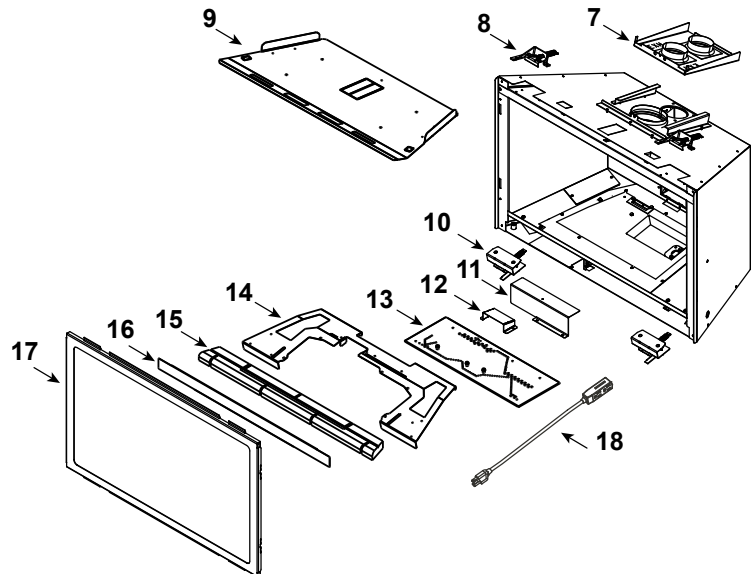


### Traditional Log Set Assembly



### Birch Log Set Assembly



IMPORTANT: THIS IS DATED INFORMATION. Parts must be ordered from a dealer or distributor. **Hearth and Home Technologies does not sell directly to consumers.** Provide model number and serial number when requesting service parts from your dealer or distributor.



**Stocked at Depot**

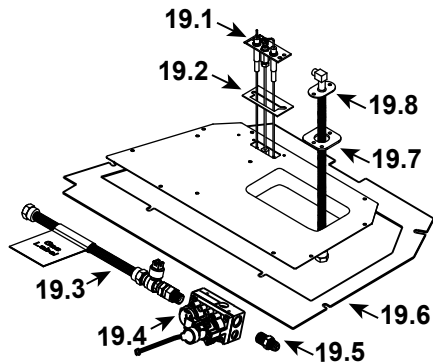
ITEM	DESCRIPTION	COMMENTS		PART NUMBER	
		Traditional	Birch		
	Log Assembly (Hearth Refractory not Included)	LOGS-2533	LOGS-2533-BIRCH		Y
1	Log 1	SRV2533-711	<b>Must order complete assembly</b>		
2	Log 2	SRV2533-712			
3	Log 3	SRV2533-713			
4	Log 4	SRV2533-714			
5	Log 5	SRV2532-715			
6	Log 6	SRV2538-715			
7	Slide Plate Assembly			2532-014	
	Tool, Slide Plate (Multi-purpose)			2532-140	
	Gasket			2532-113	
8	Glass Clip Assembly, Top	Qty 2 req		2155-046	
9	Baffle, Firebox			2533-138	
10	Glass Clip Assembly, Bottom	Qty 2 req		2532-009	
11	Air Scoop			2532-135	
12	Pilot Shield			2532-153	
13	Burner Assembly			2533-007	Y
14	Base Pan			2533-130	
15	Hearth Refractory (Not for use with BRICK-MI35-TR/BRICK-MI35-HB)			SRV2544-704	
16	Seal, Glass Frame			2533-122	
17	Glass Door Assembly			GLA-2533	Y
18	Power Cord			2201-024	Y
	Fan			GFK-160A	Y

No one builds a better fire

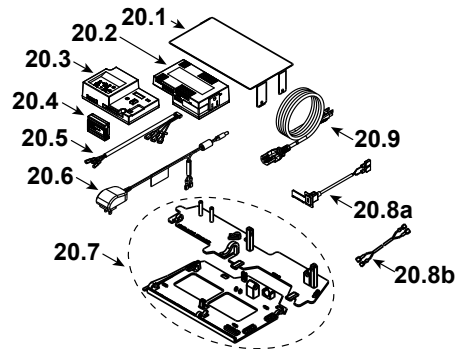
Beginning Manufacturing Date: March 2019

Ending Manufacturing Date: Active

### #19 Valve Assembly



### #20 Component Tray



IMPORTANT: THIS IS DATED INFORMATION. Parts must be ordered from a dealer or distributor. **Hearth and Home Technologies does not sell directly to consumers.** Provide model number and serial number when requesting service parts from your dealer or distributor.



**Stocked  
at Depot**

ITEM	DESCRIPTION	COMMENTS	PART NUMBER	
19.1	Pilot Assembly NG		2550-013	Y
	Pilot Assembly Propane		2550-014	Y
19.2	Pilot Gasket		2532-134	
19.3	Flex Ball Valve Assembly		2532-081	Y
19.4	Valve NG		SRV2166-302	Y
	Valve Propane		2166-303	Y
19.5	Male Connector	Pkg of 5	303-315/5	Y
19.6	Gasket, Valve Plate		2532-131	
19.7	Gasket, Bulkhead		438-407	
19.8	Bulkhead w/Flex Tube		SRV7000-156	Y
	Orifice NG (#33C)		582-833	Y
	Orifice Propane (#50C)		582-850	Y
20.1	Component Heat Shield		2532-144	Y
20.2	Module, B Type AC		SRV2326-150	Y
20.3	Module, IFT Control		SRV2326-130	Y
20.4	Module, RF FCC		SRV2326-120	Y
20.5	Harness, IFT 6 Pin Wiring		SRV2326-132	Y
20.6	6 Volt DC Power Adapter	Post LC5818239	2326-191	Y
	Transformer, 6 Volt Wall	Pre LC5818239	SRV2326-131	Y
	Jumper Wire, 36" Male/Female	Pre LC5818239	2159-310	Y
	Wall Switch Jumper Wire	Pre LC5818239	SRV2179-300	Y
20.7	Tray, Component & Wire		2532-172	Y
20.8a	Assembly, USB-C Bracket	SN Range LC5673022 - LC6494692	2532-301	Y
20.8b	40" Wire Harness	Post LC6494692	SRV2531-140	Y
20.9	Cable, B Type AC Module		SRV2326-152	Y

Additional service part numbers appear on following page.

