

Items included in kit:

- (1) Metal Catalyst
- (1) Temperature Probe
- (1) Temperature Probe Bracket
- (2) Sheet Metal Screw #10-1/2

Installation of the Metal Catalyst and Temperature Probe:

Start by removing the Access cover located in the rear of the unit. Figure 1.

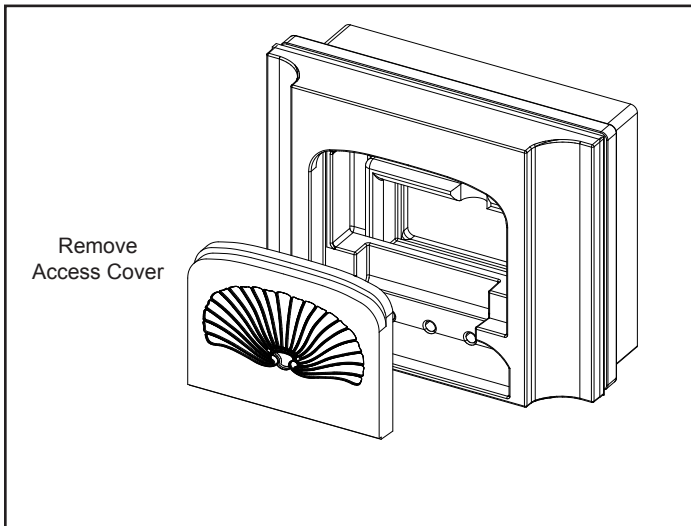


Figure 1 - Remove Access Cover.

Once Access cover is removed install the Metal Catalyst in the back of the combustion package then re-install the Access Cover. Figure 2.

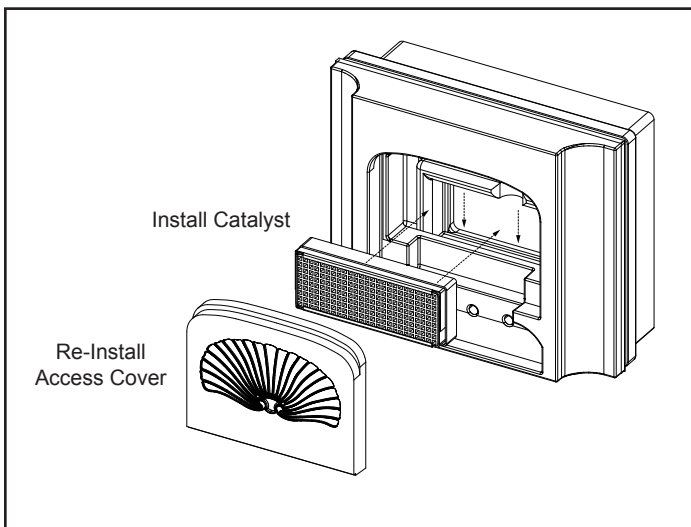


Figure 2 - Install Metal Catalyst and Access Cover.

Install the catalyst temperature probe through the hole in the rear heat shield and into the cast iron stove back.

Using the bracket and (2) sheet metal screws supplied, secure the bracket and probe to the back of the rear heat shield. Figure 3.

NOTE: Insure the probe is inserted through the Fiber Insulation and into the gas stream.

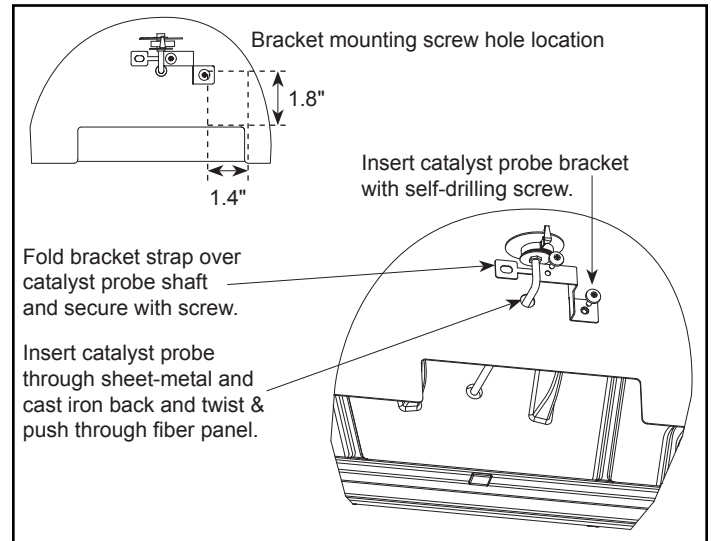


Figure 3 - Install the Catalyst Temperature Probe