



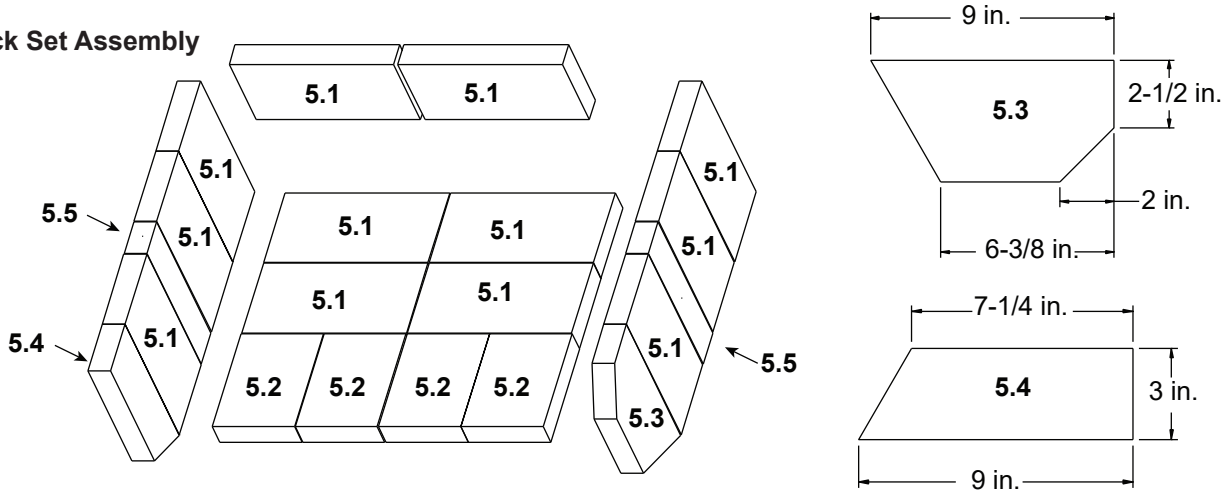
IMPORTANT: THIS IS DATED INFORMATION. Parts must be ordered from a dealer or distributor. **Hearth and Home Technologies does not sell directly to consumers.** Provide model number and serial number when requesting service parts from your dealer or distributor.



Stocked at Depot

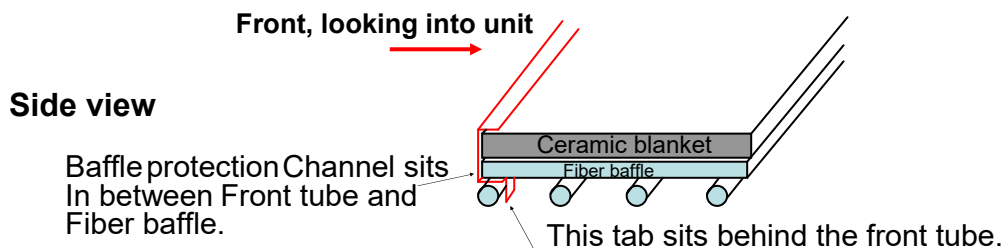
ITEM	DESCRIPTION	COMMENTS	PART NUMBER	
1	Air Channel, Convection w/Bracket - <b>Retain original serial # label</b>		SRV7033-144	
2	Air Supply Back		SRV7033-134	
3	Flue Collar		SRV7000-302	Y
4	Panel Assembly, Side, Left		SRV7037-007	

### #5 Brick Set Assembly



5	Brick Assembly, Complete Set	Pkg of 20	SRV7037-003	
5.1	Brick, 9 x 4.5 x 1.25"	Qty. 12 Req	832-0550	Y
5.2	Brick, 6 x 4.5 x 1.25"	Qty. 4 Reg.	SRV7128-002	
5.3	Brick, 9 x 4.5 x 1.25" w/Angle	Qty. 1 Reg.	SRV7128-806	
5.4	Brick, 9 x 3 x 1.25" w/Angle	Qty. 1 Reg.	SRV7128-618	
5.5	Brick, small 9 x 2 x 1.25"	Qty. 2 Reg.	SRV7128-018	
	Brick, Uncut	Pkg of 6	832-3040	Y
6	Rear Air Channel Assembly		SRV7033-002	Y
7	Ceramic Fiber Blanket, 1/2 " Thick	15 1/2" x 19 1/2"	832-3390	Y
8	Baffle Fiber Board - 9-1/2" W x 15-3/4" H	Pkg of 2	SRV7037-112	Y
9	Tube Support Rack		SRV7033-148	
10	Brick Retainer		SRV7033-149	

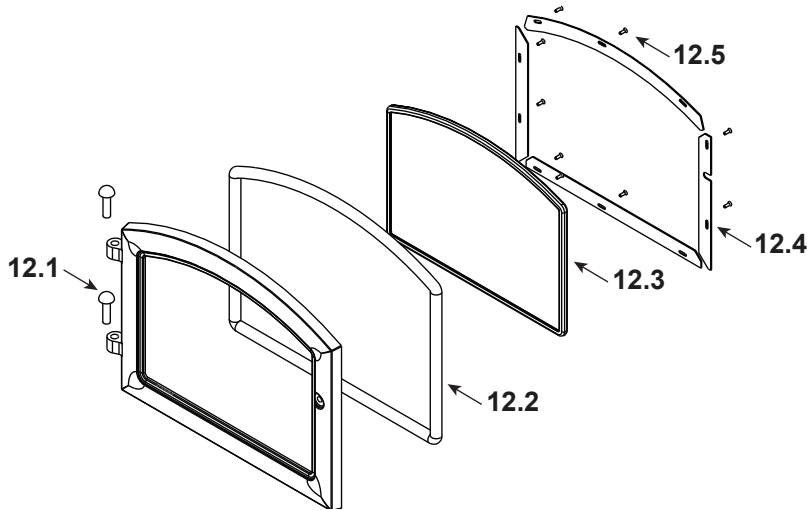
### #11 Baffle Protection Channel



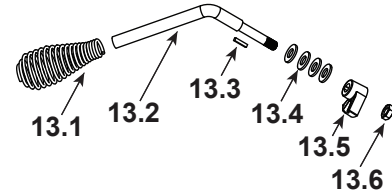
11	Baffle Protection Channel		SRV7033-298	
----	---------------------------	--	-------------	--

Additional service part numbers appear on following page.

## #12 Door Assembly



## #13 Door Handle Assemblies



IMPORTANT: THIS IS DATED INFORMATION. Parts must be ordered from a dealer or distributor. **Hearth and Home Technologies does not sell directly to consumers.** Provide model number and serial number when requesting service parts from your dealer or distributor.



Stocked  
at Depot

ITEM	DESCRIPTION	COMMENTS	PART NUMBER	
12	Door Assembly	Black	DR-31/43BK-FH	Y
		Nickel	DR-31/43NL-FH	Y
12.1	Hinge Pins, 1/2"	Black	7000-606/2	Y
		Nickel	SRV430-5320	
12.2	Rope, Door, 3/4" x 84" - Field cut to Size	7 Ft Length	832-1680	Y
12.3	Door Glass Assembly - 15-1/2" W x 13-3/8" H		SRV7000-012	Y
	Gasket, Glass Tape - Field cut to Size	5 Ft Length	832-0460	Y
12.4	Glass Frame Set		832-0350	
12.5	Screw, Flat Head Philips 8-32 x 1/2	Pkg of 12	220-0490/12	Y
13	Door Handle Assembly (Does not include Spring Handle)		832-0540	
13.1	Handle, Spring (Not included in Handle Assembly)	Black	SRV7000-613	Y
		Nickel	250-8330	Y
13.2	Door Handle, Formed		SRV430-1131	Y
13.3	Key, Cam Latch		SRV430-1151	
13.4	Washer, SAE, 3/8	Pkg of 3	832-0990	Y
13.5	Cam Latch		SRV430-1141	
13.6	Nut, Locking Door Handle	Pkg of 24	226-0100/24	Y
	Component Pack: (Spring Handles(1) 1/2" & (2) 1/4", 2 Hinge Pins, & Quadra-Fire Logo)	Nickel	436-5360	

Additional service part numbers appear on following page.

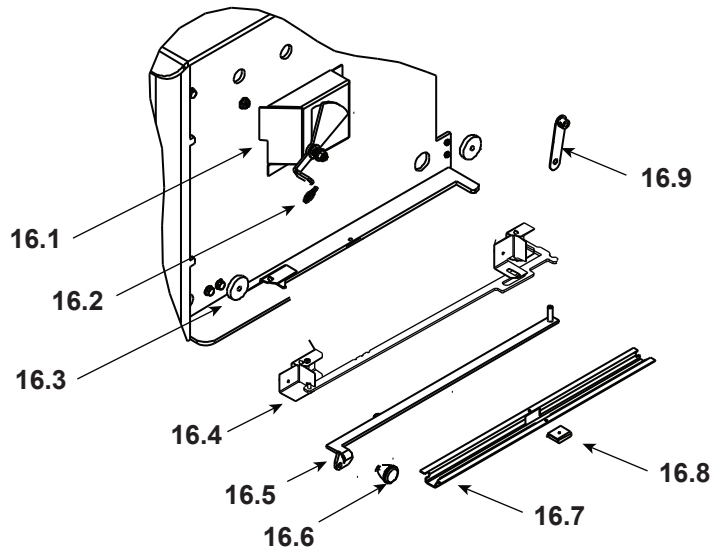
IMPORTANT: THIS IS DATED INFORMATION. Parts must be ordered from a dealer or distributor. **Hearth and Home Technologies does not sell directly to consumers.** Provide model number and serial number when requesting service parts from your dealer or distributor.



**Stocked  
at Depot**

ITEM	DESCRIPTION	COMMENTS	PART NUMBER
14	Pedestal Base		SRV7033-163
15	Pedestal Riser		SRV7033-207

### #16 Burn Rate Control & Associated Parts



16.1	Burn Rate Control Assembly		SRV7037-054	Y
16.2	Spring Handle, 1/4"	Nickel	250-8340	Y
16.3	Door Gasket - Front & Rear Air Timer Doors		7033-282	Y
16.4	Timer Air Control Assembly		SRV7037-018	Y
	Rear Air Door Assembly		SRV7037-013	Y
16.5	Rear Air Control Arm Assembly		SRV7037-005	Y
16.6	Knob - Start-Up Control Knob		SRV7000-343	
16.7	Air Control Rod Guide		SRV7033-210	
16.8	Latch, Magnet - For Air Control		SRV229-0631	
16.9	Timer Arm Assembly		SRV7033-034	Y
17	Panel Assembly, Right Side		SRV7037-006	
18	Tube Channel Access Cover (Top)		SRV7033-237	
19	Tube, Channel Assembly	Manifold Tubes	SRV7033-023	Y
20	Timer (Only) Replacement Assembly		SRV480-1940	Y
	Component Pack (Includes Touch-Up Paint, Fiber Handle, Owner's Manual, & Installation Manual)		SRV7037-052	
	Paint, Touch-Up	Black	3-42-19905	
	Logo, Quadra-Fire	Pkg of 10	7000-649/10	

Additional service part numbers appear on following page.

