

Part number list on following page.

IMPORTANT: THIS IS DATED INFORMATION. Parts must be ordered from a dealer or distributor. **Hearth and Home Technologies does not sell directly to consumers.** Provide model number and serial number when requesting service parts from your dealer or distributor.



**Stocked
at Depot**

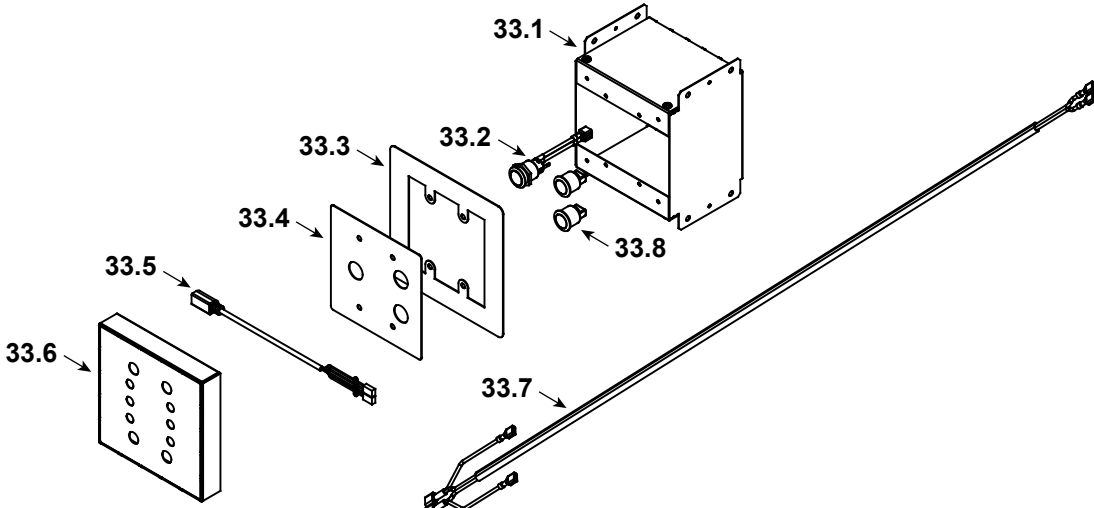
ITEM	DESCRIPTION	COMMENTS	PART NUMBER	
1	Top Standoff	Qty 4 req	SRV11864	
2	Non-combustible Board		SRV4112-325	
3	Hood		SRV4112-135	
4	Overlay Kit		SRV4112-025	
5	Deflection Glass		SRV4112-301	
6	Glass Bracket		SRV4112-153	
7	Screen Cover		SRV4112-109	
8	Burner Bottom Inner		SRV4112-111	
9	Burner Bottom Outer		SRV4112-110	
10	Burner Assembly		SRV4112-021	Y
11	LED Light Strip	Qty 2 req	SRV4101-321	Y
12	LED Mount		SRV4112-113	
13	Overlay Complete		SRV4112-173	
14	Flex Line w/Shutoff		SRV302-320	Y
15	Valve Assembly, NG		SRV593-500	Y
16	Venturi Gasket		SRV4099-191	Y
17	Venturi Assembly		SRV4099-036	Y
18	Orifice Flare #23 NG		SRV4018-357	Y
19	Flex Gas Line 16"		SRV4121-006	Y
20	Wire Assembly		SRV593-590	Y
21	IPI Control Module		SRV593-592	Y
22	Wire LED Adapter	Qty 2 req	SRV4018-114	Y
23	3V Transformer		SRV593-593	Y
24	LED Power Module		20308559K	Y
25	LED Control Module		SRV4121-160	Y
26	Pilot Bracket		SRV4111-150	
27	Pilot Assembly, NG		SRV4018-065	Y
28	Pilot Shield		SRV4111-151	
29	Jig, Media Placement		SRV4111-152	
30	Cover Plate		SRV4604-103	
31	Junction Box		SRV4021-013	Y
32	Junction Box Cover Assembly		SRV4111-032	

Additional service part numbers appear on following page.

IMPORTANT: THIS IS DATED INFORMATION. Parts must be ordered from a dealer or distributor. **Hearth and Home Technologies does not sell directly to consumers.** Provide model number and serial number when requesting service parts from your dealer or distributor.



Stocked at Depot

ITEM	DESCRIPTION	COMMENTS	PART NUMBER	
				
33	Remote Accessory Kit		SRV4111-033	
33.1	Switch Box Assembly		SRV4082-043	
33.2	Power Switch		SRV4121-136	Y
33.3	Trim Ring		SRV4018-336	
33.4	Switch Cover Plate		SRV4090-292	
33.5	Input Cable		20308587K	Y
33.6	Rock Template		SRV4608-250	
33.7	Wire Wall Switch Assembly		SRV4121-137	Y
33.8	LED Panel Switch	Qty 2 req	20308586K	Y
Conversion Kits				
	Conversion Kit NG		NGK-ODLANAIG60	
	Air Shutter		SRV69D1027	Y
	Orifice Flare		SRV4018-357	Y
	Pilot Orifice, NG		SRV593-528	Y
	Regulator, NG		SRVNGK-DXF	Y
	Conversion Kit Propane		LPK-ODLANAIG60	
	Limit Switch		SRV4121-162	Y
	Orifice Flare		SRV4018-358	Y
	Pilot Orifice, Propane		SRV593-527	Y
	Regulator, Propane		SRVLPK-DXF	Y