

QUADRA-FIRE®

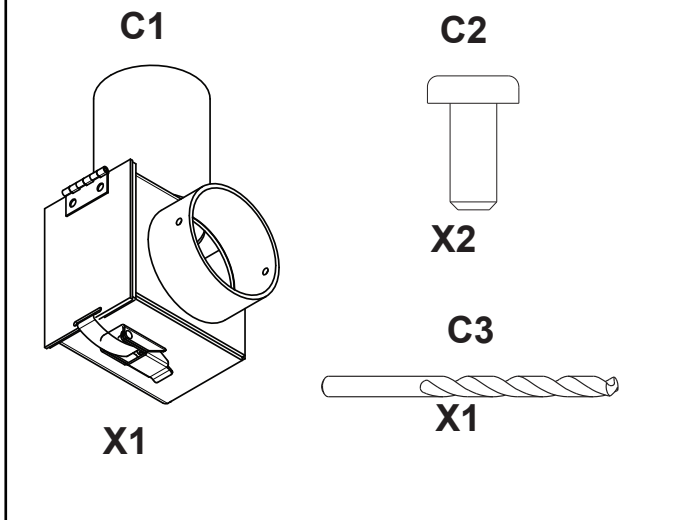
TOP VENT ADAPTER INSTALLATION INSTRUCTIONS

Vertical adapter and clean-out.

Part : TPVNT-6

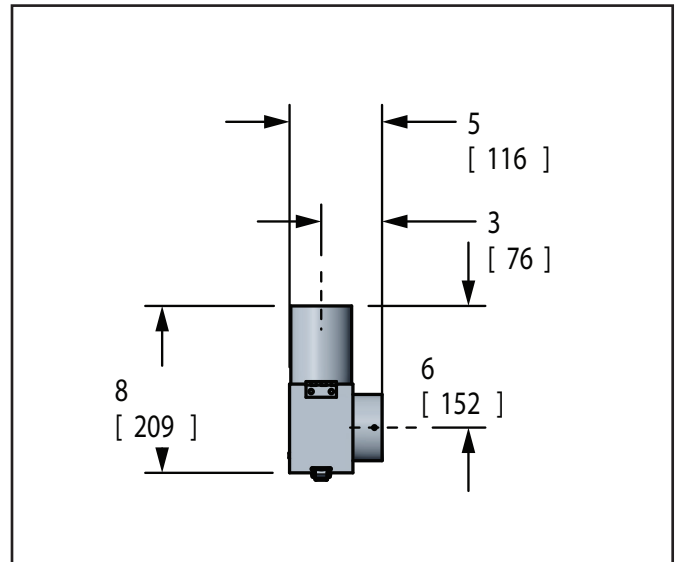
For Free Standing Pellet Appliances

Included in Kit:



Tools Required:

Electric drill, #26 drill bit (included), #2 Phillips screwdriver, and high temp silicone (500° F).



1. Put a 1/4 inch bead of silicone on the outer edge of the appliance exhaust outlet (**Figure 1**). Do not apply silicone inside appliance exhaust outlet.

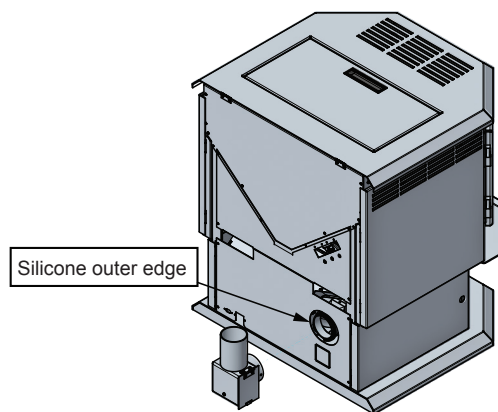


Figure 1

- Slide the Vent Adapter (C1) onto the exhaust outlet over bead of silicone making sure the adapter is rotated into the desired position (Figure 2).

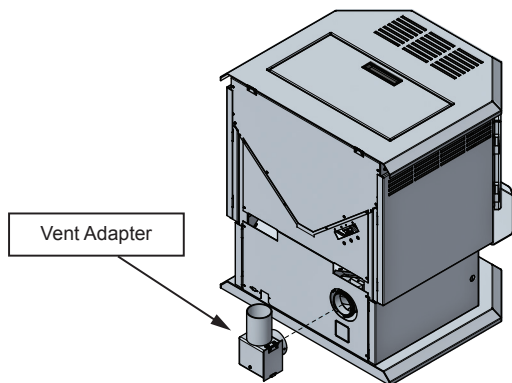


Figure 2

- Drill 2 holes with #26 drill bit (C3) through the Exhaust Outlet using the 2 holes already in the short horizontal pipe on the Vent Adapter as a guide. Secure using two mounting screws (C2) (Figure 3).

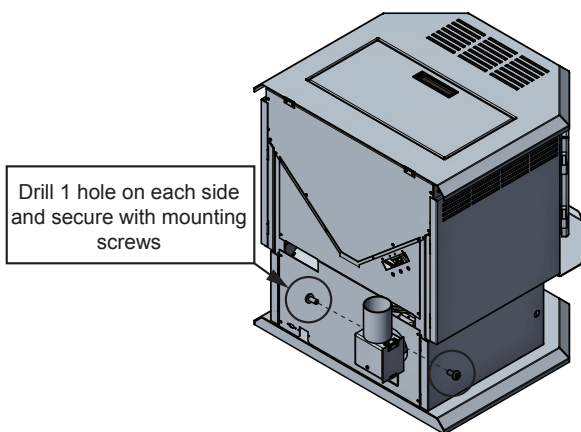


Figure 3

- Put a 1/4 inch bead of silicone on the outer edge of the Vent Adapter exhaust outlet (C1) (Figure 4). Following venting manufacturing instructions, install venting to Vent Adapter (C1). (Note: Appliance adapter from venting manufacture may be required.) Do not apply silicone inside appliance exhaust outlet.

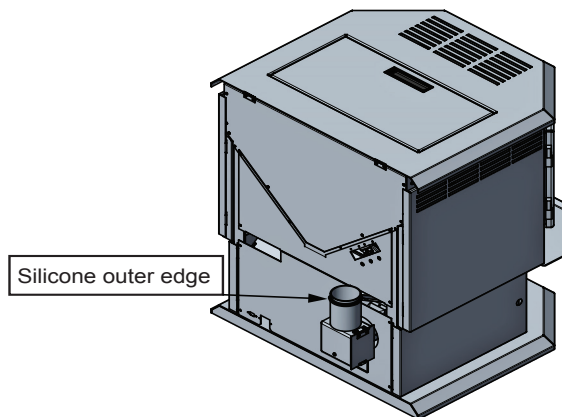


Figure 4

- After performing regular cleaning of venting, open the clean-out cover and vacuum out debris; close when complete (Figure 5).

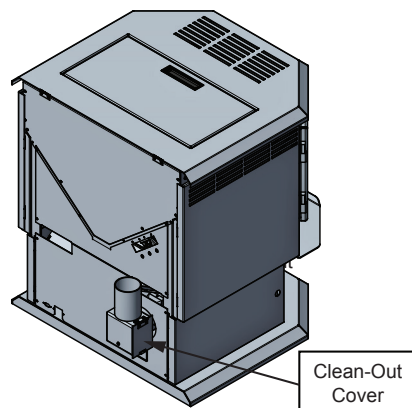


Figure 5