

Inline Fans

MODEL OIF10-670 | OIF12-880

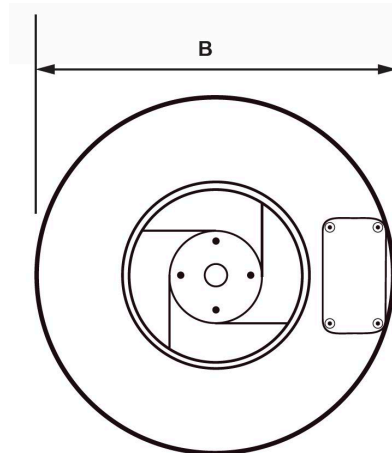
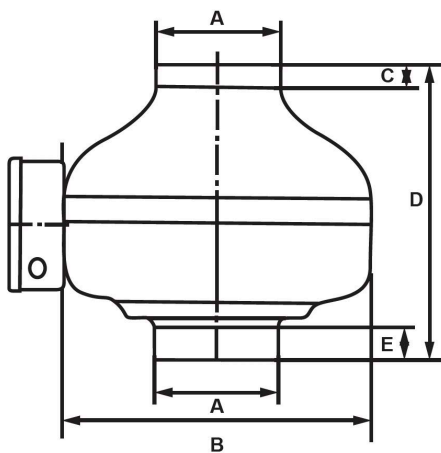


HIGHLIGHTS

- Commercial / Residential grade 100% speed controllable Inline Fans
- Complies with CSA C22.2 No.113 standard clause 12 for Dryer Exhaust Duct Power Ventilators
- High performance external rotor, motor / impeller, and energy efficient and quiet operation
- Includes permanently lubricated ball bearings that are maintenance free
- High static pressure applications and easy to install
- Operating temperature is from -10°C to +80°C
- Painted cold-rolled steel housing

SPECIFICATIONS

Model	Current (Amp)	Power (Watt)	RPM (Nominal)	Noise (Sone)	Electrical Rating	Room Size Capacity
OIF10-670	1.88	220	2660	4.4	120V/60Hz	580-680 ft ²
OIF12-880	1.80	210	2730	5		680-780 ft ²

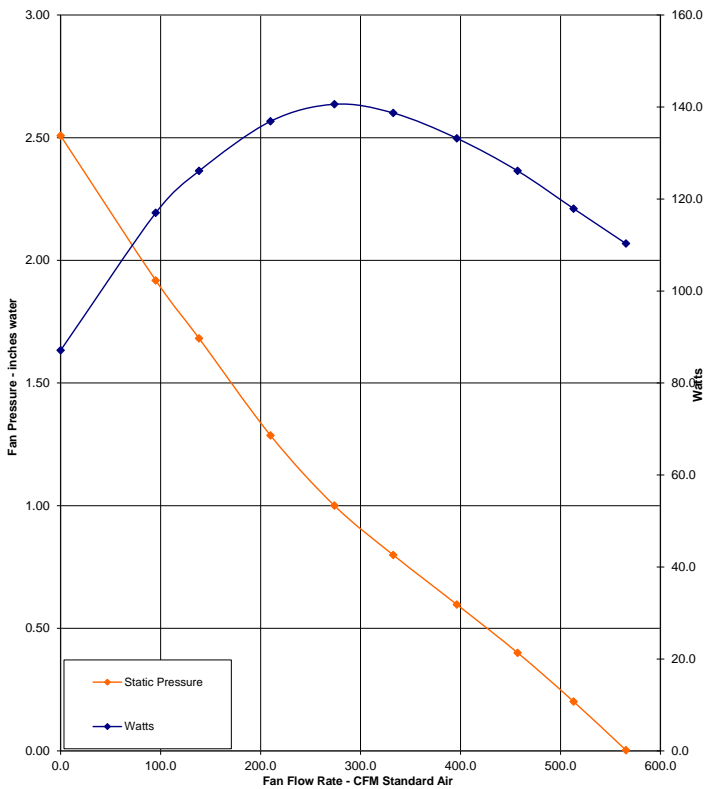


Model	OIF10-670	OIF12-880
Duct (A)	10"	12"
Overall Diameter (B)	13-9/16" (345 mm)	15-3/4" (400 mm)
Collar Length Outlet (C)	1-1/16" (27 mm)	1-1/16" (27 mm)
Overall Height (D)	9" (228 mm)	10-3/16" (259 mm)
Collar Length Inlet (E)	1-1/8" (29 mm)	1-1/8" (29 mm)

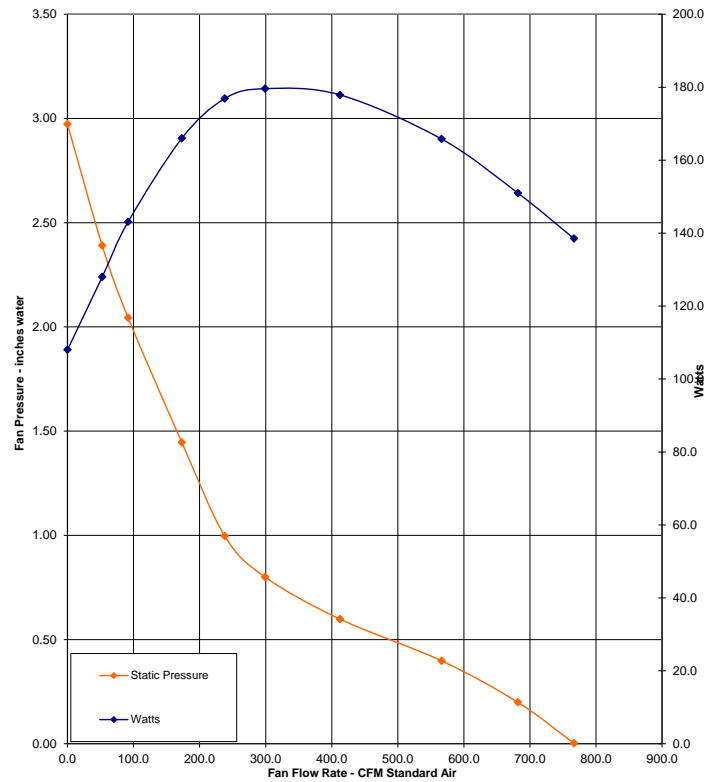
SPECIFICATIONS

Model	Static Pressure (SP)																	
	0 SP	0.1 SP	0.2 SP	0.25 SP	0.3 SP	0.4 SP	0.5 SP	0.6 SP	0.7 SP	0.8 SP	0.9 SP	1.0 SP	1.2 SP	1.4 SP	1.5 SP	1.6 SP	2.0 SP	2.5 SP
OIF10-670	647 CFM	629 CFM	570 CFM	538 CFM	520 CFM	482 CFM	470 CFM	450 CFM	429 CFM	411 CFM	388 CFM	352 CFM	545 CFM	480 CFM	252 CFM	241 CFM	176 CFM	94 CFM
OIF12-880	911 CFM	882 CFM	870 CFM	832 CFM	794 CFM	735 CFM	676 CFM	641 CFM	594 CFM	547 CFM	488 CFM	417 CFM	615 CFM	520 CFM	282 CFM	261 CFM	176 CFM	47 CFM

OIF10-670



OIF12-880



Reference	QTY.	Remarks	Project:
			Location:
			Architect:
			Engineer:
			Contractor:
			Submitted by:
			Date:

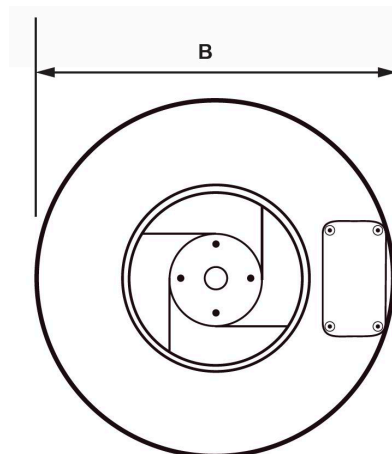
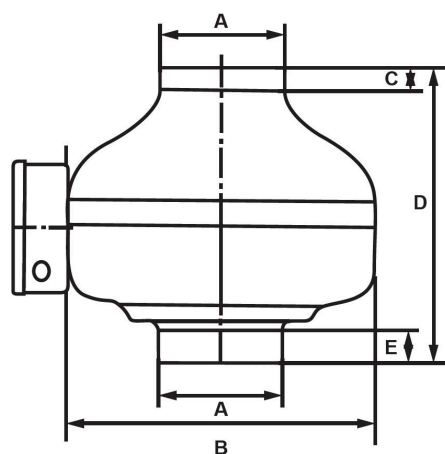


FAITS SAILLANTS

- Pour applications résidentielles et commerciales légères
- Boîtier peint en acier laminé à froid
- Vitesse contrôlable à 100%
- Pour applications à haute pression statique
- Rotor externe, moteur/turbine à haute performance, fonctionnement économe en énergie et silencieux
- Roulements à billes sans entretien lubrifiés en permanence
- Installation facile

SPÉCIFICATIONS

Modèle	Courant (Ampères)	Puissance (Watt)	RPM (Nominal)	Niveau de son (Sones)	Consommation électrique	Grandeur de la pièce
OIF10-670	1.88	220	2660	4.4	120V/60Hz	580-680 ft ²
OIF12-880	1.80	210	2730	5		680-780 ft ²

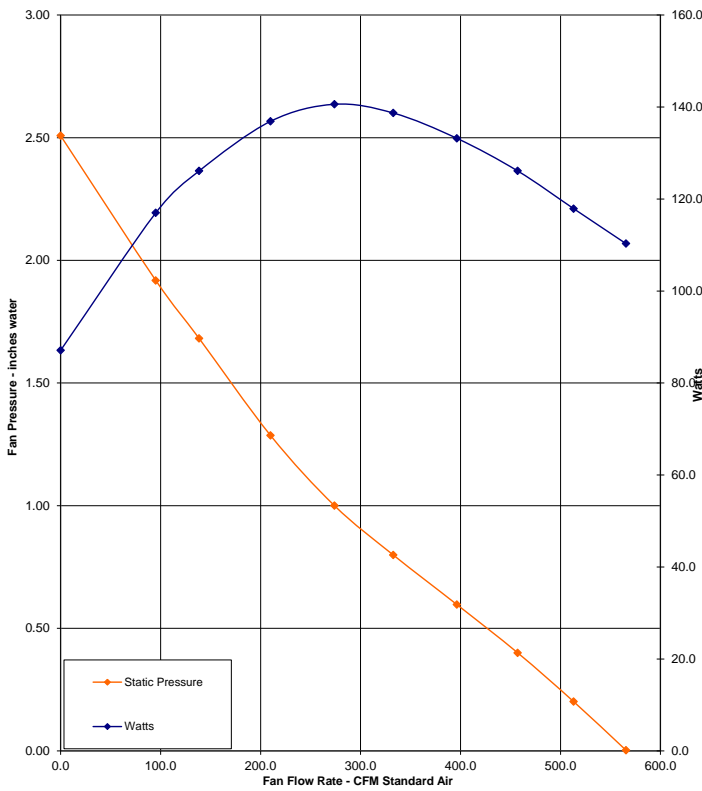


Modèle	OIF10-670	OIF12-880
Conduit (A)	10"	12"
Diamètre global (B)	13-9/16" (345 mm)	15-3/4" (400 mm)
Col long. sortie (C)	1-1/16" (27 mm)	1-1/16" (27 mm)
Hauteur globale (D)	9" (228 mm)	10-3/16" (259 mm)
Col long. entrée (E)	1-1/8" (29 mm)	1-1/8" (29 mm)

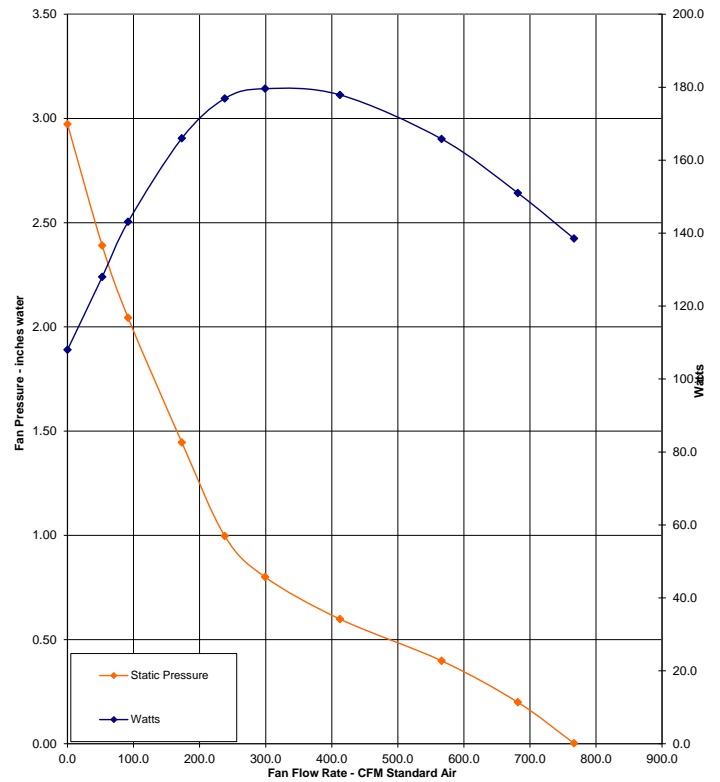
SPÉCIFICATIONS

Modèle	Pression Statique (PS)																	
	0 PS	0.1 PS	0.2 PS	0.25 PS	0.3 PS	0.4 PS	0.5 PS	0.6 PS	0.7 PS	0.8 PS	0.9 PS	1.0 PS	1.2 PS	1.4 PS	1.5 PS	1.6 PS	2.0 PS	2.5 PS
OIF10-670	647 PCM	629 PCM	570 PCM	538 PCM	520 PCM	482 PCM	470 PCM	450 PCM	429 PCM	411 PCM	388 PCM	352 PCM	545 PCM	480 PCM	252 PCM	241 PCM	176 PCM	94 PCM
OIF12-880	911 PCM	882 PCM	870 PCM	832 PCM	794 PCM	735 PCM	676 PCM	641 PCM	594 PCM	547 PCM	488 PCM	417 PCM	615 PCM	520 PCM	282 PCM	261 PCM	176 PCM	47 PCM

OIF10-670



OIF12-880



Reference	QTY.	Remarks	Project:
			Location:
			Architect:
			Engineer:
			Contractor:
			Submitted by:
			Date: