

## MODEL OIF6-260 | OIF8-560

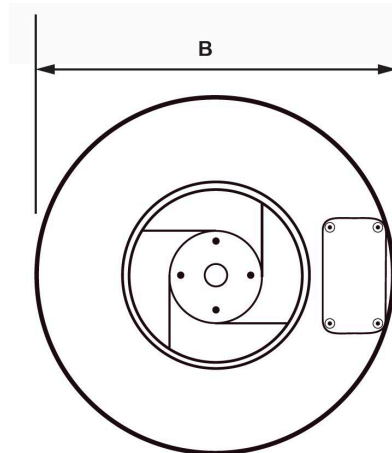
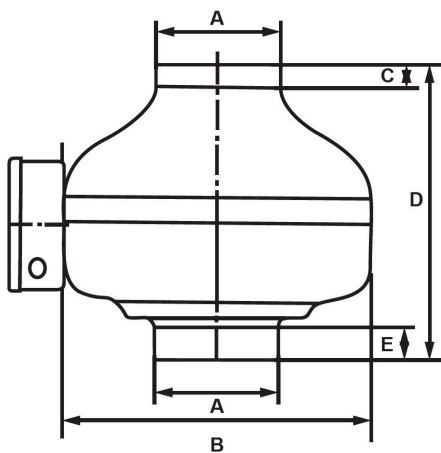


### HIGHLIGHTS

- Commercial / Residential grade 100% speed controllable Inline Fans
- Complies with CSA C22.2 No.113 standard clause 12 for Dryer Exhaust Duct Power Ventilators
- High performance external rotor, motor / impeller, and energy efficient and quiet operation
- Includes permanently lubricated ball bearings that are maintenance free
- High static pressure applications and easy to install
- Operating temperature is from -10°C to +80°C
- Painted cold-rolled steel housing

### SPECIFICATIONS

Model	Current (Amp)	Power (Watt)	RPM (Nominal)	Noise (Sone)	Electrical Rating	Room Size Capacity
<b>OIF6-260</b>	0.88	105	2620	2.8	120V/60Hz	200-280 ft <sup>2</sup>
<b>OIF8-560</b>	2.03	235	2530	3.7		400-580 ft <sup>2</sup>

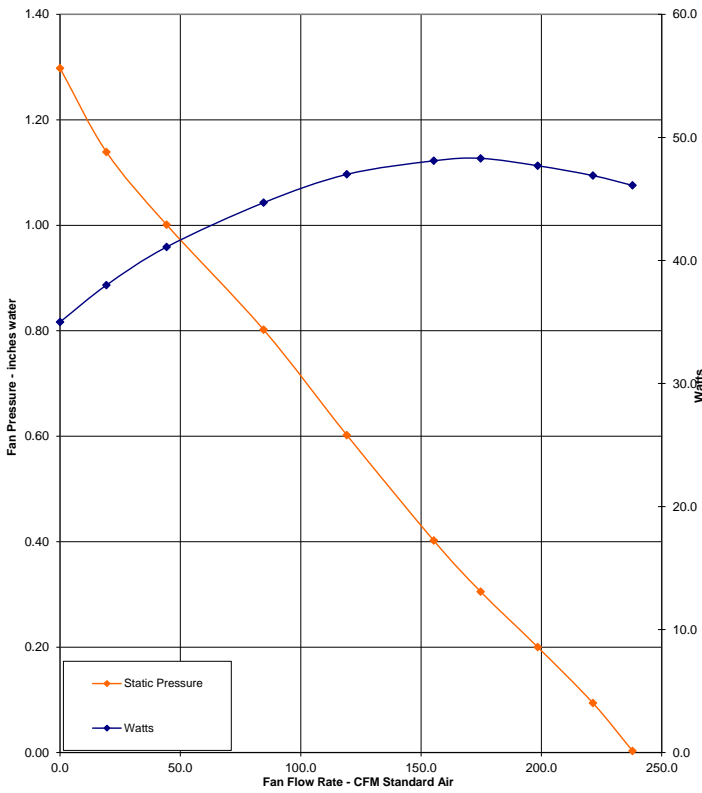


Model	<b>OIF6-260</b>	<b>OIF8-560</b>
Duct (A)	6"	8"
Overall Diameter (B)	10-11/16" (271 mm)	13-9/16" (345 mm)
Collar Length Outlet (C)	3/4" (20 mm)	1-1/16" (27 mm)
Overall Height (D)	7-9/16" (193 mm)	9" (228 mm)
Collar Length Inlet (E)	3/4" (20 mm)	1-1/8" (29 mm)

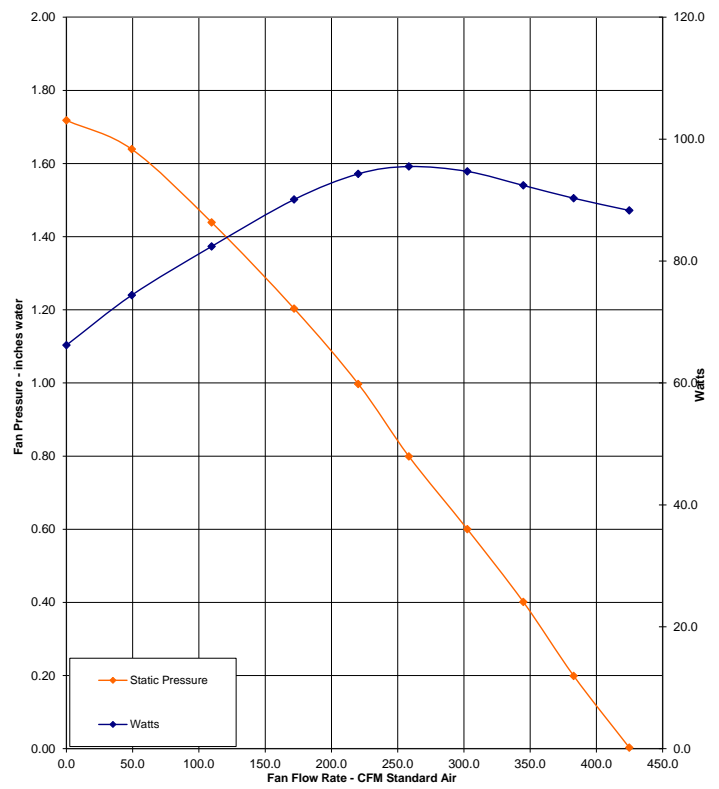
### SPECIFICATIONS

Model	Static Pressure (SP)																	
	0 SP	0.1 SP	0.2 SP	0.25 SP	0.3 SP	0.4 SP	0.5 SP	0.6 SP	0.7 SP	0.8 SP	0.9 SP	1.0 SP	1.2 SP	1.4 SP	1.5 SP	1.6 SP	2.0 SP	2.5 SP
<b>OIF6-260</b>	282 CFM	276 CFM	264 CFM	255 CFM	250 CFM	232 CFM	208 CFM	182 CFM	161 CFM	150 CFM	141 CFM	132 CFM	108 CFM	79 CFM	58 CFM	35 CFM	/	/
<b>OIF8-560</b>	605 CFM	588 CFM	582 CFM	558 CFM	500 CFM	494 CFM	452 CFM	423 CFM	382 CFM	352 CFM	329 CFM	294 CFM	263 CFM	238 CFM	217 CFM	200 CFM	141 CFM	47 CFM

**OIF6-260**



**OIF8-560**



Reference	QTY.	Remarks	Project:
			Location:
			Architect:
			Engineer:
			Contractor:
			Submitted by:
			Date:

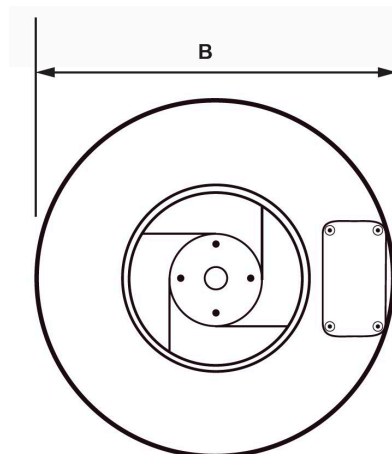
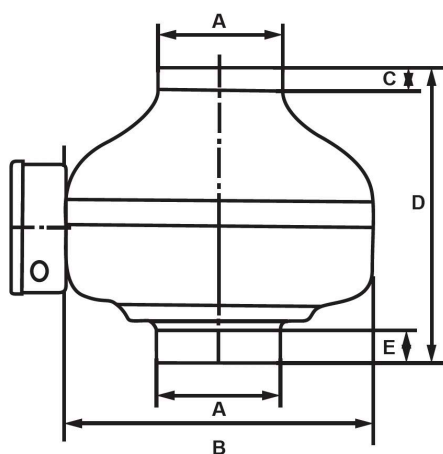


### FAITS SAILLANTS

- Pour applications résidentielles et commerciales légères
- Boîtier peint en acier laminé à froid
- Vitesse contrôlable à 100%
- Pour applications à haute pression statique
- Rotor externe, moteur/turbine à haute performance, fonctionnement économe en énergie et silencieux
- Roulements à billes sans entretien lubrifiés en permanence
- Installation facile

### SPÉCIFICATIONS

Modèle	Courant (Ampères)	Puissance (Watt)	RPM (Nominal)	Niveau de son (Sones)	Consommation électrique	Grandeur de la pièce
<b>OIF6-260</b>	0.88	105	2620	2.8	120V/60Hz	200-280 ft <sup>2</sup>
<b>OIF8-560</b>	2.03	235	2530	3.7		400-580 ft <sup>2</sup>

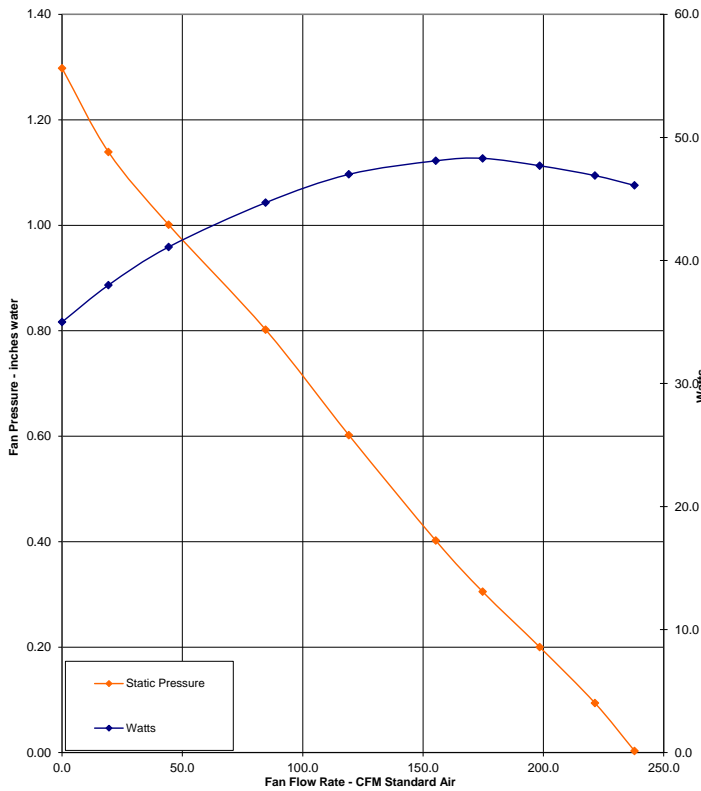


Modèle	<b>OIF6-260</b>	<b>OIF8-560</b>
Conduit (A)	6"	8"
Diamètre global (B)	10-11/16" (271 mm)	13-9/16" (345 mm)
Col long. sortie (C)	3/4" (20 mm)	1-1/16" (27 mm)
Hauteur globale (D)	7-9/16" (193 mm)	9" (228 mm)
Col long. entrée (E)	3/4" (20 mm)	1-1/8" (29 mm)

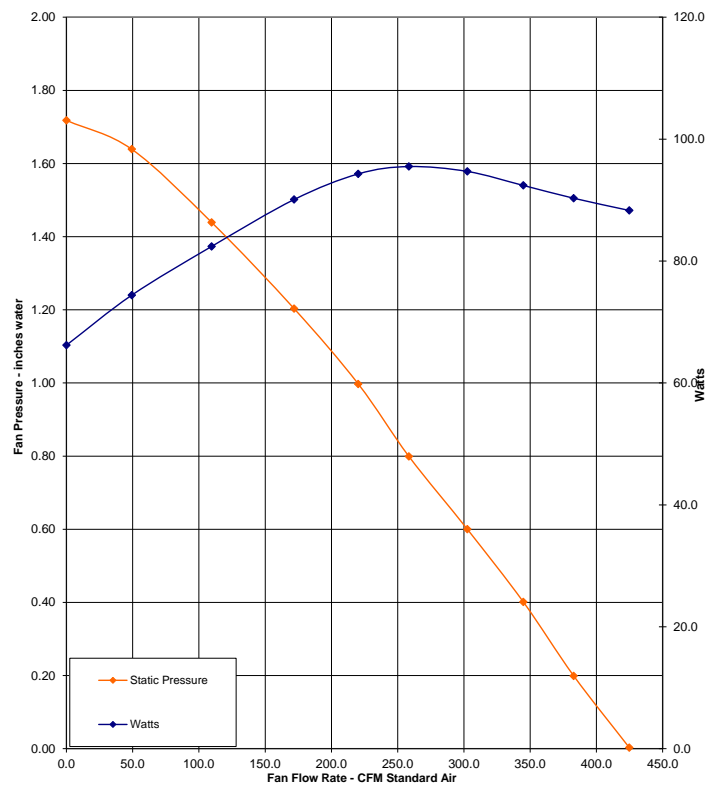
### SPÉCIFICATIONS

Modèle	Pression Statique (PS)																	
	0 PS	0.1 PS	0.2 PS	0.25 PS	0.3 PS	0.4 PS	0.5 PS	0.6 PS	0.7 PS	0.8 PS	0.9 PS	1.0 PS	1.2 PS	1.4 PS	1.5 PS	1.6 PS	2.0 PS	2.5 PS
<b>OIF6-260</b>	282 PCM	276 PCM	264 PCM	255 PCM	250 PCM	232 PCM	208 PCM	182 PCM	161 PCM	150 PCM	141 PCM	132 PCM	108 PCM	79 PCM	58 PCM	35 PCM	/	/
<b>OIF8-560</b>	605 PCM	588 PCM	582 PCM	558 PCM	500 PCM	494 PCM	452 PCM	423 PCM	382 PCM	352 PCM	329 PCM	294 PCM	263 PCM	238 PCM	217 PCM	200 PCM	141 PCM	47 PCM

OIF6-260



OIF8-560



Reference	QTY.	Remarks	Project:
			Location:
			Architect:
			Engineer:
			Contractor:
			Submitted by:
			Date: