

# Inline Fans

## MODEL OIF4-140 | OIF5-190

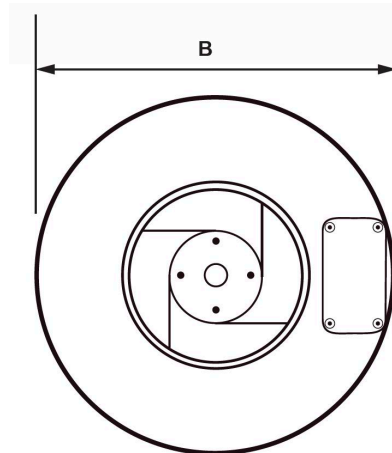
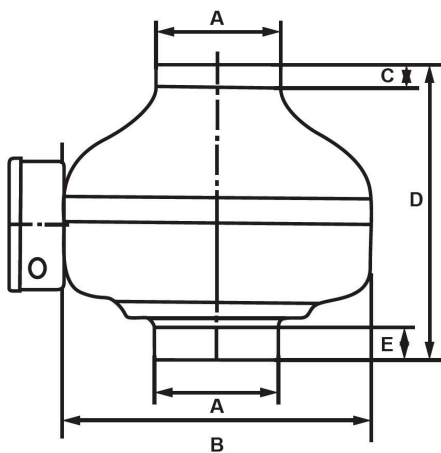


### HIGHLIGHTS

- Commercial / Residential grade 100% speed controllable Inline Fans
- Complies with CSA C22.2 No.113 standard clause 12 for Dryer Exhaust Duct Power Ventilators
- High performance external rotor, motor / impeller, and energy efficient and quiet operation
- Includes permanently lubricated ball bearings that are maintenance free
- High static pressure applications and easy to install
- Operating temperature is from -10°C to +80°C
- Painted cold-rolled steel housing

### SPECIFICATIONS

Model	Current (Amp)	Power (Watt)	RPM (Nominal)	Noise (Sone)	Electrical Rating	Room Size Capacity
<b>OIF4-140</b>	0.80	92	2450	2.1	120V/60Hz	100-150 ft <sup>2</sup>
<b>OIF5-190</b>	0.86	102	2420	2.6		150-200 ft <sup>2</sup>

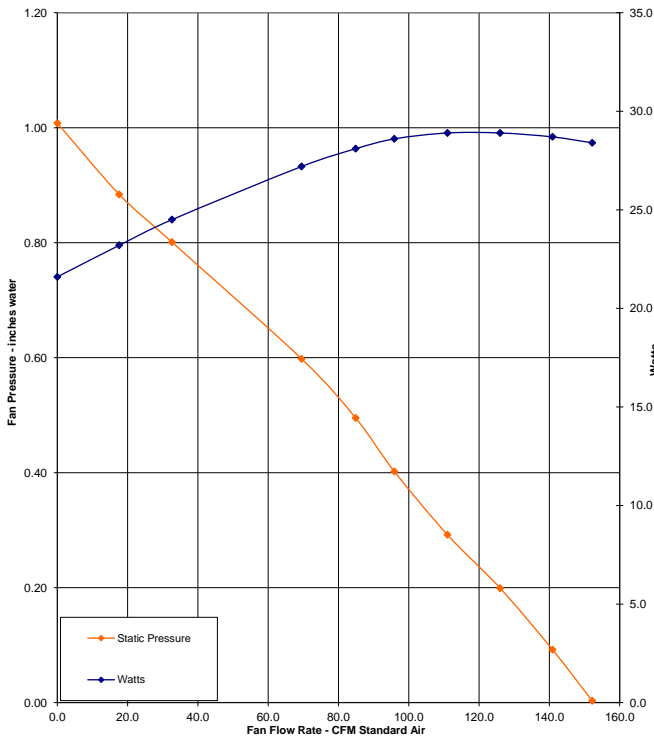


Model	OIF4-140	OIF5-190
Duct (A)	4"	5"
Overall Diameter (B)	9-1/2" (242 mm)	9-9/16" (243 mm)
Collar Length Outlet (C)	3/4" (20 mm)	1" (25 mm)
Overall Height (D)	7-5/16" (186 mm)	7-7/16" (189 mm)
Collar Length Inlet (E)	9/16" (15 mm)	7/8" (22 mm)

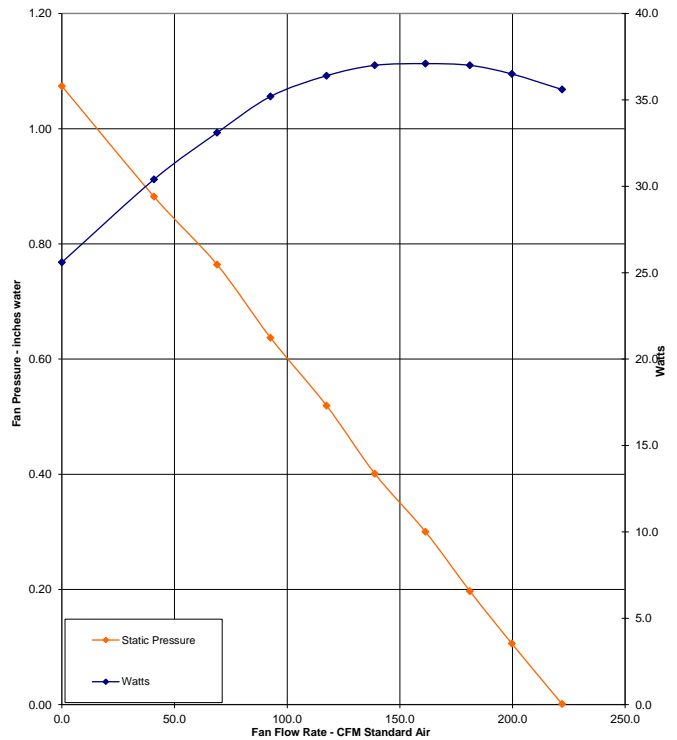
### SPECIFICATIONS

Model	Static Pressure (SP)																	
	0 SP	0.1 SP	0.2 SP	0.25 SP	0.3 SP	0.4 SP	0.5 SP	0.6 SP	0.7 SP	0.8 SP	0.9 SP	1.0 SP	1.2 SP	1.4 SP	1.5 SP	1.6 SP	2.0 SP	2.5 SP
<b>OIF4-140</b>	152 CFM	147 CFM	144 CFM	135 CFM	132 CFM	123 CFM	120 CFM	111 CFM	108 CFM	100 CFM	94 CFM	88 CFM	73 CFM	70 CFM	43 CFM	26 CFM	/	/
<b>OIF5-190</b>	214 CFM	200 CFM	188 CFM	182 CFM	176 CFM	164 CFM	155 CFM	141 CFM	129 CFM	120 CFM	105 CFM	100 CFM	79 CFM	61 CFM	47 CFM	32 CFM	/	/

**OIF4-140**



**OIF5-190**



Reference	QTY.	Remarks	Project:
			Location:
			Architect:
			Engineer:
			Contractor:
			Submitted by:
			Date:

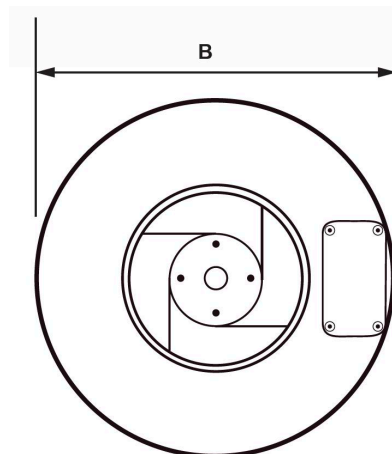
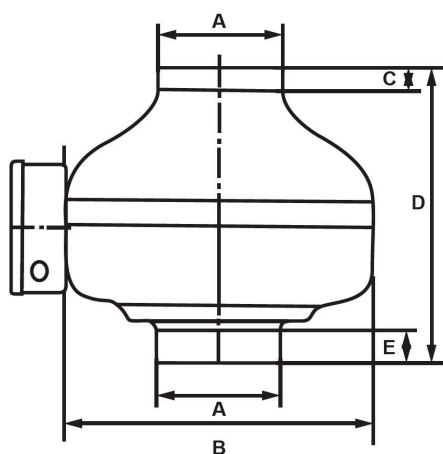


### FAITS SAILLANTS

- Pour applications résidentielles et commerciales légères
- Boîtier peint en acier laminé à froid
- Vitesse contrôlable à 100%
- Pour applications à haute pression statique
- Rotor externe, moteur/turbine à haute performance, fonctionnement économe en énergie et silencieux
- Roulements à billes sans entretien lubrifiés en permanence
- Installation facile

### SPÉCIFICATIONS

Modèle	Courant (Ampères)	Puissance (Watt)	RPM (Nominal)	Niveau de son (Sones)	Consommation électrique	Grandeur de la pièce
<b>OIF4-140</b>	0.80	92	2450	2.1	120V/60Hz	100-150 ft <sup>2</sup>
<b>OIF5-190</b>	0.86	102	2420	2.6		150-200 ft <sup>2</sup>

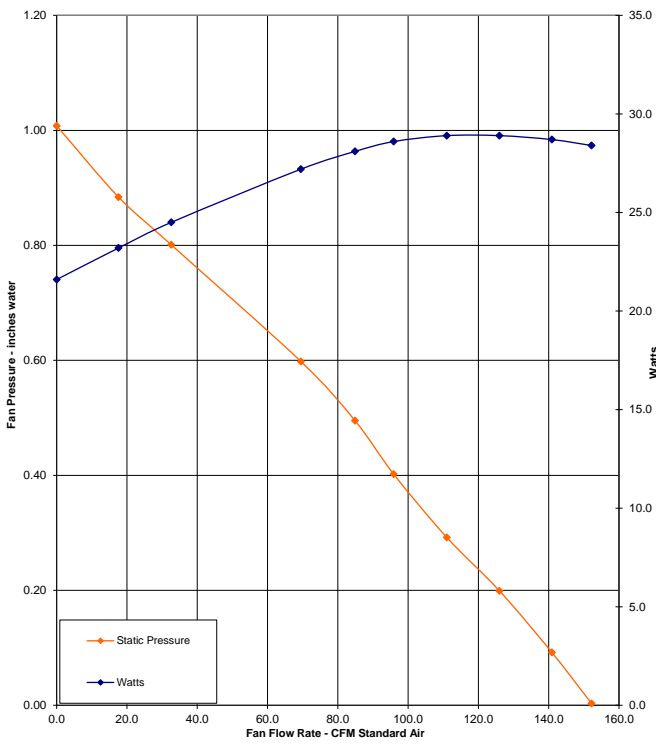


Modèle	<b>OIF4-140</b>	<b>OIF5-190</b>
Conduit (A)	4"	5"
Diamètre global (B)	9-1/2" (242 mm)	9-9/16" (243 mm)
Col long. sortie (C)	3/4" (20 mm)	1" (25 mm)
Hauteur globale (D)	7-5/16" (186 mm)	7-7/16" (189 mm)
Col long. entrée (E)	9/16" (15 mm)	7/8" (22 mm)

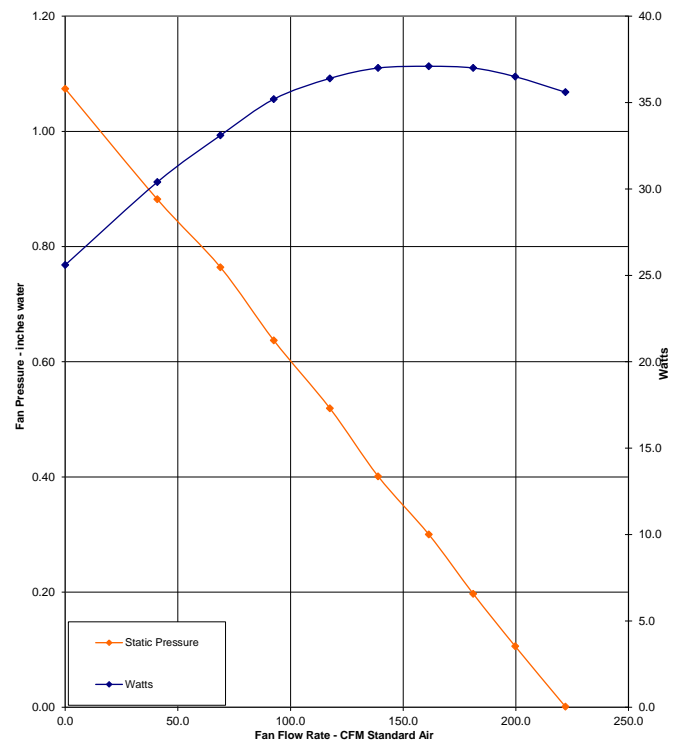
### SPÉCIFICATIONS

Modèle	Pression Statique (PS)																	
	0 PS	0.1 PS	0.2 PS	0.25 PS	0.3 PS	0.4 PS	0.5 PS	0.6 PS	0.7 PS	0.8 PS	0.9 PS	1.0 PS	1.2 PS	1.4 PS	1.5 PS	1.6 PS	2.0 PS	2.5 PS
<b>OIF4-140</b>	152 PCM	147 PCM	144 PCM	135 PCM	132 PCM	123 PCM	120 PCM	111 PCM	108 PCM	100 PCM	94 PCM	88 PCM	73 PCM	70 PCM	43 PCM	26 PCM	/	/
<b>OIF5-190</b>	214 PCM	200 PCM	188 PCM	182 PCM	176 PCM	164 PCM	155 PCM	141 PCM	129 PCM	120 PCM	105 PCM	100 PCM	79 PCM	61 PCM	47 PCM	32 PCM	/	/

OIF4-140



OIF5-190



Reference	QTY.	Remarks	Project:
			Location:
			Architect:
			Engineer:
			Contractor:
			Submitted by:
			Date: