



**UE29** LCD  
ELECTRIC FIREPLACE INSERT

**UPTOWN**  
LUXURY ELECTRIC FIREPLACES



# UE29 LCD

## ELECTRIC FIREPLACE INSERT



Eight High Definition LCD Flame Options Included

### Insert Specifications

Voltage	120v		
Glass Size	17½" h x 28½" w		
Insert Dimensions	HEIGHT	WIDTH	DEPTH
	19"	28½"	13¾"

*Please see owners manual for most up to date specifications*



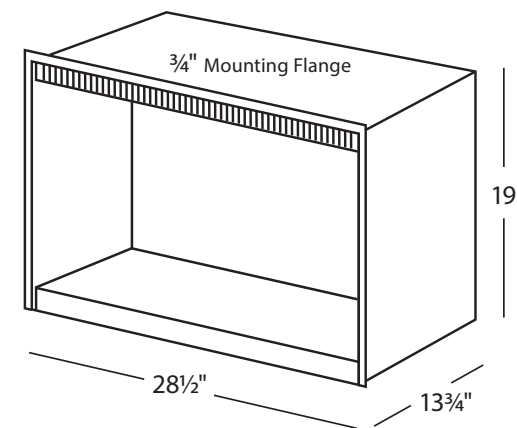
Western Timber Real Log Set

### Design Features

- Thermostat Compatible
- 1500w Electric Heater
- Glowing Embers
- Ambient Crackling Fire Sounds
- App Control / Touch Remote
- Next Gen Flame Technology
- Modern Design
- Install as Insert or Fireplace
- Western Timber Real Log Set
- Steel Fire Grate
- 3 Year Warranty

### Surrounds

- Standard Surround
  - 3 Sided — 23½" h x 37¾" w
  - 4 Sided — 28" h x 37¾" w
- Oversized Surround
  - 3 Sided — 26" h x 43¼" w
  - 4 Sided — 33½" h x 43¼" w
- Forgeworks Face
  - 23½" h x 37¾" w
- Custom Surround Panel



POP-381

[uptownfireplaces.com](http://uptownfireplaces.com)

**UPTOWN**  
LUXURY ELECTRIC FIREPLACES

A product of Sherwood Industries Ltd. Victoria, BC, Canada | Printed in Canada, August 2024